

Products and
Services

PRODUCTS
FOR EFFICIENT
AUTOMATION

B *innovating automation*



Innovative solutions

TO MEET YOUR AUTOMATION NEEDS

**Steel and
Metallurgical
Industry**

Life Science

**Semiconductor
Industry**

Metal Working



Plastics, Rubber
and Tires

Mobility

Packaging,
Foods and Beverages

Energy Generation

INNOVATIVE SOLUTIONS FOR ANY REQUIREMENT

To give you an overview of our range of offerings we have condensed our product portfolio into five volumes. This overview provides a list of topics contained in each volume.

1

2



Sensors 1

- Inductive Sensors
- Capacitive Sensors
- Photoelectric Sensors
- Magnetic Sensors
- Mechanical Cam Switches



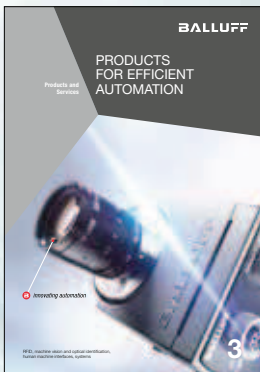
Sensors 2

- Ultrasonic Sensors
- Magnetically Coded Sensors
- Magnetostrictive Sensors
- Inclination Sensors
- Pressure Sensors
- Temperature Sensors
- Flow Sensors
- Condition Monitoring Sensors

3

4

5



- RFID
- Machine Vision and Optical Identification
- Human Machine Interfaces



- Safety
- Industrial Networking
- Software and System Solutions
- Power Supplies



- Connectivity
- Accessories

Do you need more details? Our Product Finder at www.balluff.com provides you with product-specific information, including technical drawings, data sheets, user guides and more for each individual product. All items are available for download.



CONTENTS

8

CONNECTIVITY



326

ACCESSORIES



- 12 Single-Ended Cordsets, Double-Ended Cordsets, Bulk Cables
- 182 Y-Splitters
- 190 Tees
- 198 Field Attachables
- 254 Bulkheads
- 260 Receptacles
- 284 Adapters
- 290 Terminating Resistors
- 296 Junction Blocks

- 330 Reflectors, Fibers, Optics
- 382 Mechanical Protection
- 428 Fastening Technology
- 540 Mechanical Accessories
- 560 Lighting for Vision Systems and Machines
- 602 Signal Converters and Communication Adapters

ALPHANUMERIC INDEX 628

GLOBAL PROJECT MANAGEMENT 652

ABOUT BALLUFF 654



Standardized and tailor-made connection components

CONNECTIVITY.

 *innovating automation*



At Balluff, you get everything from a single source, including a comprehensive range of connectivity components for every area of automation from a variety of materials, for various requirements and applications. Connectors and double-ended cordsets from Balluff are available for high temperatures up to 180 °C and for low temperatures down to -40 °C. Designs with Ecolab approval or in IP69K are especially suitable for sensitive fields such as the food industry. All products are suited for rugged use in the industrial environment. Common to all are simple installation and rapid integration for fast startup.

Your Balluff solutions

- Sensor Cables (single-ended cordsets, double-ended cordsets, bulk cables)
- Y-Splitters
- Tees
- Field attachables
- Bulkhead Connectors
- Receptacles
- Adapters
- Terminating Resistors
- Passive Interfaces

CONNECTIVITY



12

**SINGLE-ENDED CORDSETS
DOUBLE-ENDED CORDSETS
BULK CABLES**

- 14 Sensor Cables
- 46 HDC Cables
- 70 Power Cables
- 90 Valve Connectors
- 98 Bus Cables
- 110 M23
- 112 Single-Ended Cordsets
- 120 Double-Ended Cordsets



182

Y-SPLITTERS

- 184 M12 male/M8 female/M8 female;
M12 male/M12 female/M12 female
- 186 M12 male/DIN A, 18 mm/DIN A, 18 mm;
DIN A, 18 mm/DIN A, 18 mm/M12 male



190

TEES



198

**FIELD
ATTACHABLES**



254

BULKHEADS



260

RECEPTACLES



284

ADAPTERS



290

TERMINATING
RESISTORS



296

JUNCTION BLOCKS

- 298 M8, 3-pin, 4-pin, cable connection
- 300 M8, 3-pin, 4-pin, plug connection
- 302 M8, 3-pin, plug connection
- 304 M12, 3-pin + PE, 4-pin + PE, cable connection
- 306 M12, 3-pin + PE, 4-pin + PE, plug connection
- 307 M12, 3-pin with PE, 4-pin with PE, hood connection



322

BASICS AND
GLOSSARY



Large selection,
flexible use

SINGLE-ENDED
CORDSETS

DOUBLE-ENDED
CORDSETS

BULK CABLES



In our comprehensive product range of single- and double-ended cord-sets for every industry, you are guaranteed to find the right connection for your application. Signals, data and power are always reliably transmitted. We also offer various cable types and connectors for great flexibility in making your selection.

Also available are bulk cables in the same proven quality as our assembled cables in various materials with various cross-sections. These can be trimmed to length. This makes their use highly flexible.

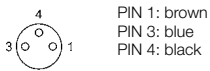
The most important benefits

- Large selection for every industry
- Various cable types, various plug connectors
- Robust and industrial grade
- Reliably transmit signals, data and power

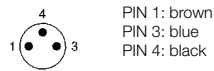


		BCC M313 ...	
Connection		M8 female, A-coded	
Version		straight	
Rated voltage	No LED	60 V AC/DC	
	with LED	30 V DC	
Rated current		4 A	
Degree of protection	unshielded	IP67, IP69K	
	shielded	IP67	
unshielded, no LED		BCC M313-0000-10-001-_____①-___②	
unshielded, 2 × PNP-LED		BCC M313-0000-10-004-_____①-___②	
unshielded, 2 × NPN-LED		-	
shielded, no LED		BCC M313-0000-10-036-_____①-___②	
Approval/Conformity		CE, UL, EAC	
For drawing see page		148	

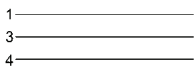
M8 female



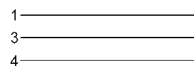
M8 male



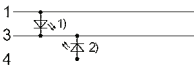
unshielded, no LED



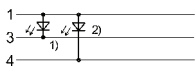
unshielded, no LED



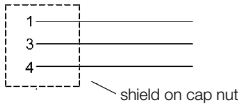
unshielded, 2 × PNP-LED*



unshielded, 2 × NPN-LED*



shielded, no LED



* ¹⁾ LED green = Power
²⁾ LED yellow = Function



BCC M313 ...	BCC M323 ...	BCC M323 ...
M8 male, A-coded	M8 female, A-coded	M8 male, A-coded
straight	angled	angled
60 V AC/DC	60 V AC/DC	60 V AC/DC
–	30 V DC	–
4 A	4 A	4 A
IP67, IP69K	IP67, IP69K	IP67, IP69K
	IP67	
BCC M313-0000-20-001-_____①-____②	BCC M323-0000-10-001-_____①-____②	BCC M323-0000-20-001-_____①-____②
–	BCC M323-0000-10-004-_____①-____②	–
–	BCC M323-0000-10-006-_____①-____②	–
–	BCC M323-0000-10-036-_____①-____②	–
CE, UL, EAC	CE, UL, EAC	CE, UL, EAC
148	148	148

①	Material	Color	Number of conductors x conductor cross-section	Cable temperature fixed in place	Cable temperature flexed
UNSHIELDED					
PX0334	PUR	Black	3 × 0.34 mm ²	–50...+90 °C	–25...+90 °C
VX8334	PVC	Gray	3 × 0.34 mm ²	–40...+105 °C	–5...+105 °C
EX43T2	TPE	Yellow	3 × AWG22	–50...+105 °C	–25...+105 °C
VX43T2	PVC	Yellow	3 × AWG22	–40...+105 °C	–5...+105 °C
SHIELDED					
PS0334	PUR	Black	3 × 0.34 mm ²	–50...+90 °C	–25...+90 °C
VS8334	PVC	Gray	3 × 0.34 mm ²	–40...+105 °C	–5...+105 °C

②	Cable length
CONNECTION CABLE	
020	2 m
050	5 m
100	10 m

Other cable lengths on request!

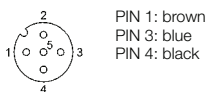
AVAILABLE AS BULK CABLE

	Order code	Part number	Cable length
PX0334	BCC0AC7	BCC 0000-0000-00-000-PX0334-10X	100 m
VX8334	BCC0C15	BCC 0000-0000-00-000-VX8334-10X	100 m
EX43T2	BCC0AEC	BCC 0000-0000-00-001-EX43T2-10X	100 m
VX43T2	BCC0AE7	BCC 0000-0000-00-001-VX43T2-10X	100 m

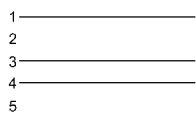


		BCC M415 ...	
Connection		M12 female, A-coded	
Version		straight	
Rated voltage	No LED	250 V AC/DC	
	with LED	30 V DC	
Rated current		4 A	
Degree of protection	unshielded	IP67, IP68, IP69K	
	shielded	IP67	
unshielded, no LED, N.O. signal		BCC M415-0000-1A-001-_____①-___②	
unshielded, 2 × PNP-LED, N.O. signal		BCC M415-0000-1A-004-_____①-___②	
unshielded, 2 × NPN-LED, N.O. signal		–	
shielded, no LED, N.O. signal		BCC M415-0000-1A-036-_____①-___②	
unshielded, no LED, N.C. signal		BCC M415-0000-1A-002-_____①-___②	
unshielded, 2 × PNP-LED, N.C. signal		BCC M415-0000-1A-005-_____①-___②	
shielded, no LED, N.C. signal		BCC M415-0000-1A-037-_____①-___②	
Approval/Conformity		CE, UL, EAC	
For drawing see page		148	

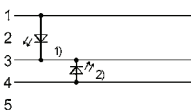
M12 female, N.O. signal



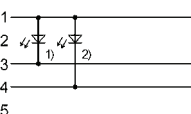
unshielded, no LED



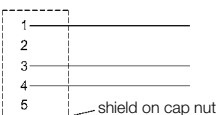
unshielded, 2 × PNP-LED*



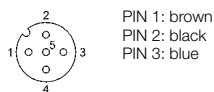
unshielded, 2 × NPN-LED*



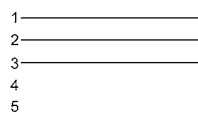
shielded, no LED



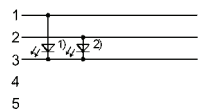
M12 female, N.C. signal



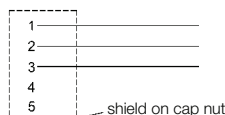
unshielded, no LED



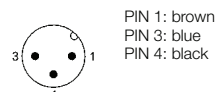
unshielded, 2 × PNP-LED*



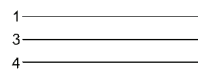
shielded, no LED



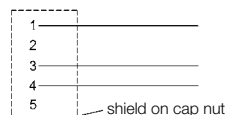
M12 male, N.O. signal



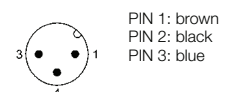
unshielded, no LED



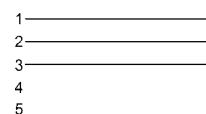
shielded, no LED



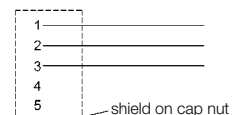
M12 male, N.C. signal



unshielded, no LED



shielded, no LED



* 1) LED green = Power
2) LED yellow = Function



BCC M413 ...	BCC M425 ...	BCC M413 ...
M12 male, A-coded	M12 female, A-coded	M12 male, A-coded
straight	angled	angled
250 V AC/DC	250 V AC/DC	250 V AC/DC
–	30 V DC	–
4 A	4 A	4 A
IP67, IP68, IP69K	IP67, IP68, IP69K	IP67, IP68, IP69K
IP67	IP67	IP67
BCC M413-0000-2A-001-_____①-___②	BCC M425-0000-1A-001-_____①-___②	BCC M423-0000-2A-001-_____①-___②
–	BCC M425-0000-1A-004-_____①-___②	–
–	BCC M425-0000-1A-006-_____①-___②	–
BCC M413-0000-2A-036-_____①-___②	BCC M425-0000-1A-036-_____①-___②	BCC M423-0000-2A-036-_____①-___②
BCC M413-0000-2A-002-_____①-___②	BCC M425-0000-1A-002-_____①-___②	–
–	BCC M425-0000-1A-005-_____①-___②	–
BCC M413-0000-2A-037-_____①-___②	BCC M425-0000-1A-037-_____①-___②	–
CE, UL, EAC	CE, UL, EAC	CE, UL, EAC
149	149	149

①	Material	Color	Number of conductors × conductor cross-section	Cable temperature fixed in place	Cable temperature flexed
UNSHIELDED					
PX0334	PUR	Black	3 × 0.34 mm ²	–50...+90 °C	–25...+90 °C
VX8334	PVC	Gray	3 × 0.34 mm ²	–40...+105 °C	–5...+105 °C
EX43T2	TPE	Yellow	3 × AWG22	–50...+105 °C	–25...+105 °C
VX43T2	PVC	Yellow	3 × AWG22	–40...+105 °C	–5...+105 °C
SHIELDED					
PS0334	PUR	Black	3 × 0.34 mm ²	–50...+90 °C	–25...+90 °C
VS8334	PVC	Gray	3 × 0.34 mm ²	–40...+105 °C	–5...+105 °C

②	Cable length
CONNECTION CABLE	
020	2 m
050	5 m
100	10 m

Other cable lengths on request!

AVAILABLE AS BULK CABLE

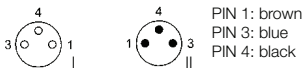
	Order code	Part number	Cable length
PX0334	BCC0AC7	BCC 0000-0000-00-000-PX0334-10X	100 m
VX8334	BCC0C15	BCC 0000-0000-00-000-VX8334-10X	100 m
EX43T2	BCC0AEC	BCC 0000-0000-00-001-EX43T2-10X	100 m
VX43T2	BCC0AE7	BCC 0000-0000-00-001-VX43T2-10X	100 m

Sensors
RFID
Machine Vision and Optical Identification
Human Machine Interfaces
Safety
Industrial Networking
Software and System Solutions
Power Supply
Connectivity
Accessories

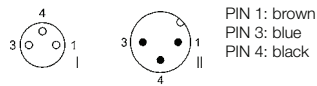


		BCC M313-M313 ...
Connection		M8 female, A-coded/ M8 male, A-coded
Version		straight/straight
Rated voltage		60 V AC/DC
Rated current		4 A
Degree of protection		IP67, IP69K/IP67, IP69K
unshielded, no LED		BCC M313-M313-30-300-____-①-____②
unshielded, no LED, N.O. signal		-
Approval/Conformity		CE, UL, EAC
For drawing see page		149

M8 female/M8 male



M8 female/M12 male, N.O. signal



unshielded, no LED



unshielded, no LED





BCC M313-M323 ...	BCC M313-M413 ...	BCC M313-M423 ...
M8 female, A-coded/ M8 male, A-coded	M8 female, A-coded/ M12 male, A-coded	M8 female, A-coded/ M12 male, A-coded
straight/angled	straight/straight	straight/angled
60 V AC/DC	60 V AC/DC	60 V AC/DC
4 A	4 A	4 A
IP67, IP69K/IP67, IP69K	IP67, IP69K/IP67, IP68, IP69K	IP67, IP69K/IP67, IP68, IP69K
BCC M313-M323-30-300-_____①-___②	–	–
–	BCC M313-M413-3E-300-_____①-___②	BCC M313-M423-3E-300-_____①-___②
CE, UL, EAC	CE, UL, EAC	CE, UL, EAC
149	150	150

①	Material	Color	Number of conductors x conductor cross-section	Cable temperature fixed in place	Cable temperature flexed
UNSHIELDED					
PX0334	PUR	Black	3 × 0.34 mm ²	–50...+90 °C	–25...+90 °C
VX8334	PVC	Gray	3 × 0.34 mm ²	–40...+105 °C	–5...+105 °C
EX43T2	TPE	Yellow	3 × AWG22	–50...+105 °C	–25...+105 °C
VX43T2	PVC	Yellow	3 × AWG22	–40...+105 °C	–5...+105 °C

②	Cable length
CABLE	
003	0.3 m
006	0.6 m
010	1 m
015	1.5 m
020	2 m
050	5 m

Other cable lengths on request!

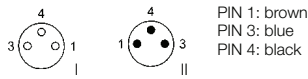
AVAILABLE AS BULK CABLE

	Order code	Part number	Cable length
PX0334	BCC0AC7	BCC 0000-0000-00-000-PX0334-10X	100 m
VX8334	BCC0C15	BCC 0000-0000-00-000-VX8334-10X	100 m
EX43T2	BCC0AEC	BCC 0000-0000-00-001-EX43T2-10X	100 m
VX43T2	BCC0AE7	BCC 0000-0000-00-001-VX43T2-10X	100 m



		BCC M323-M313 ...
Connection		M8 female, A-coded/ M8 male, A-coded
Version		angled/straight
Rated voltage	No LED	60 V AC/DC
	with LED	30 V DC
Rated current		4 A
Degree of protection		IP67, IP69K/IP67, IP69K
unshielded, no LED		BCC M323-M313-30-300-_____①-___②
unshielded, 2 × PNP-LED		BCC M323-M313-30-602-_____①-___②
unshielded, no LED, N.O. signal		–
unshielded, PNP-LED, N.O. signal		–
Approval/Conformity		CE, UL, EAC
For drawing see page		150

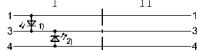
M8 female/M8 male



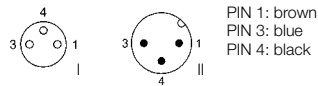
unshielded, no LED



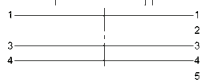
unshielded, 2 × PNP-LED*



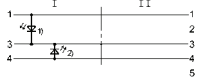
M8 female/M12 male, N.O. signal



unshielded, no LED



unshielded, 2 × PNP-LED*



* ¹⁾ LED green = Power
²⁾ LED yellow = Function



BCC M323-M323 ...	BCC M323-M413 ...	BCC M323-M423 ...
M8 female, A-coded/ M8 male, A-coded	M8 female, A-coded/ M12 male, A-coded	M8 female, A-coded/ M12 male, A-coded
angled/angled	angled/straight	angled/angled
60 V AC/DC	60 V AC/DC	60 V AC/DC
–	30 V DC	–
4 A	4 A	4 A
IP67, IP69K/IP67, IP69K	IP67, IP69K/IP67, IP68, IP69K	IP67, IP69K/IP67, IP68, IP69K
BCC M323-M323-30-300-_____①-____②	–	–
–	–	–
–	BCC M323-M413-3E-300-_____①-____②	BCC M323-M423-3E-300-_____①-____②
–	BCC M323-M413-3E-602-_____①-____②	–
CE, UL, EAC	CE, UL, EAC	CE, UL, EAC
150	150	150

①	Material	Color	Number of conductors x conductor cross-section	Cable temperature fixed in place	Cable temperature flexed
UNSHIELDED					
PX0334	PUR	Black	3 × 0.34 mm ²	–50...+90 °C	–25...+90 °C
VX8334	PVC	Gray	3 × 0.34 mm ²	–40...+105 °C	–5...+105 °C
EX43T2	TPE	Yellow	3 × AWG22	–50...+105 °C	–25...+105 °C
VX43T2	PVC	Yellow	3 × AWG22	–40...+105 °C	–5...+105 °C

②	Cable length
CABLE	
003	0.3 m
006	0.6 m
010	1 m
015	1.5 m
020	2 m
050	5 m

Other cable lengths on request!

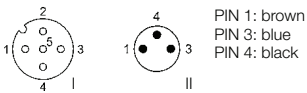
AVAILABLE AS BULK CABLE

	Order code	Part number	Cable length
PX0334	BCC0AC7	BCC 0000-0000-00-000-PX0334-10X	100 m
VX8334	BCC0C15	BCC 0000-0000-00-000-VX8334-10X	100 m
EX43T2	BCC0AEC	BCC 0000-0000-00-001-EX43T2-10X	100 m
VX43T2	BCC0AE7	BCC 0000-0000-00-001-VX43T2-10X	100 m

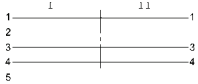


		BCC M415-M313 ...
Connection		M12 female, A-coded/ M8 male, A-coded
Version		straight/straight
Rated voltage		60 V AC/DC
Rated current		4 A
Degree of protection		IP67, IP68, IP69K/IP67, IP69K
unshielded, no LED, N.O. signal		BCC M415-M313-3F-300-_____-①-_____-②
Approval/Conformity		CE, UL, EAC
For drawing see page		150

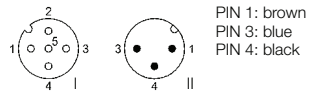
**M12 female/M8 male,
N.O. signal**



unshielded, no LED



**M12 female/M12 male,
N.O. signal**



unshielded, no LED





BCC M415-M323 ...	BCC M415-M413 ...	BCC M415-M423 ...
M12 female, A-coded/ M8 male, A-coded	M12 female, A-coded/ M12 male, A-coded	M12 female, A-coded/ M12 male, A-coded
straight/angled	straight/straight	straight/angled
60 V AC/DC	250 V AC/DC	250 V AC/DC
4 A	4 A	4 A
IP67, IP68, IP69K/IP67, IP69K	IP67, IP68, IP69K/IP67, IP68, IP69K	IP67, IP68, IP69K/IP67, IP68, IP69K
BCC M415-M323-3F-300-_____①-__-__②	BCC M415-M413-3A-300-_____①-__-__②	BCC M415-M423-3A-300-_____①-__-__②
CE, UL, EAC	CE, UL, EAC	CE, UL, EAC
150	151	151

①	Material	Color	Number of conductors × conductor cross-section	Cable temperature fixed in place	Cable temperature flexed
UNSHIELDED					
PX0334	PUR	Black	3 × 0.34 mm ²	-50...+90 °C	-25...+90 °C
VX8334	PVC	Gray	3 × 0.34 mm ²	-40...+105 °C	-5...+105 °C
EX43T2	TPE	Yellow	3 × AWG22	-50...+105 °C	-25...+105 °C
VX43T2	PVC	Yellow	3 × AWG22	-40...+105 °C	-5...+105 °C

②	Cable length
CABLE	
003	0.3 m
006	0.6 m
010	1 m
015	1.5 m
020	2 m
050	5 m

Other cable lengths on request!

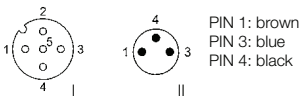
AVAILABLE AS BULK CABLE

	Order code	Part number	Cable length
PX0334	BCC0AC7	BCC 0000-0000-00-000-PX0334-10X	100 m
VX8334	BCC0C15	BCC 0000-0000-00-000-VX8334-10X	100 m
EX43T2	BCC0AEC	BCC 0000-0000-00-001-EX43T2-10X	100 m
VX43T2	BCC0AE7	BCC 0000-0000-00-001-VX43T2-10X	100 m

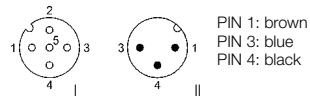


		BCC M425-M313 ...	
Connection		M12 female, A-coded/ M8 male, A-coded	
Version		angled/straight	
Rated voltage	No LED	60 V AC/DC	
	with LED	30 V DC	
Rated current		4 A	
Degree of protection		IP67, IP68, IP69K/IP67, IP69K	
unshielded, no LED, N.O. signal		BCC M425-M313-3F-300-_____①-___②	
unshielded, 2 × PNP-LED, N.O. signal		BCC M425-M313-3F-602-_____①-___②	
Approval/Conformity		CE, UL, EAC	
For drawing see page		151	

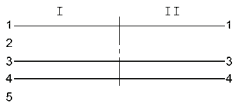
**M12 female/M8 male,
N.O. signal**



**M12 female/M12 male,
N.O. signal**



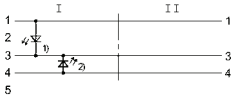
unshielded, no LED



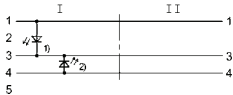
unshielded, no LED



unshielded, 2 × PNP-LED*



unshielded, 2 × PNP-LED*



* 1) LED green = Power
2) LED yellow = Function



BCC M425-M323 ...	BCC M425-M413 ...	BCC M425-M423 ...
M12 female, A-coded/ M8 male, A-coded	M12 female, A-coded/ M12 male, A-coded	M12 female, A-coded/ M12 male, A-coded
angled/angled	angled/straight	angled/angled
60 V AC/DC	250 V AC/DC	250 V AC/DC
30 V DC	30 V DC	–
4 A	4 A	4 A
IP67, IP68, IP69K/IP67, IP69K	IP67, IP68, IP69K/IP67, IP68, IP69K	IP67, IP68, IP69K/IP67, IP68, IP69K
BCC M425-M323-3F-300-_____①-___②	BCC M425-M413-3A-300-_____①-___②	BCC M425-M423-3A-300-_____①-___②
BCC M425-M323-3F-602-_____①-___②	BCC M425-M413-3A-602-_____①-___②	–
CE, UL, EAC	CE, UL, EAC	CE, UL, EAC
151	151	151

①	Material	Color	Number of conductors x conductor cross-section	Cable temperature fixed in place	Cable temperature flexed
UNSHIELDED					
PX0334	PUR	Black	3 × 0.34 mm ²	–50...+90 °C	–25...+90 °C
VX8334	PVC	Gray	3 × 0.34 mm ²	–40...+105 °C	–5...+105 °C
EX43T2	TPE	Yellow	3 × AWG22	–50...+105 °C	–25...+105 °C
VX43T2	PVC	Yellow	3 × AWG22	–40...+105 °C	–5...+105 °C

②	Cable length
CABLE	
003	0.3 m
006	0.6 m
010	1 m
015	1.5 m
020	2 m
050	5 m

Other cable lengths on request!

AVAILABLE AS BULK CABLE

	Order code	Part number	Cable length
PX0334	BCC0AC7	BCC 0000-0000-00-000-PX0334-10X	100 m
VX8334	BCC0C15	BCC 0000-0000-00-000-VX8334-10X	100 m
EX43T2	BCC0AEC	BCC 0000-0000-00-001-EX43T2-10X	100 m
VX43T2	BCC0AE7	BCC 0000-0000-00-001-VX43T2-10X	100 m

Sensors

RFID

Machine Vision and
Optical Identification

Human Machine
Interfaces

Safety

Industrial Networking

Software and
System Solutions

Power Supply

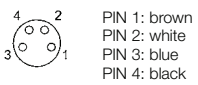
Connectivity

Accessories



		BCC M314 ...	
Connection		M8 female, A-coded	
Version		straight	
Rated voltage	No LED	60 V AC/DC	
	with LED	–	
Rated current		4 A	
Degree of protection	unshielded	IP67, IP69K	
	shielded	IP67	
unshielded, no LED		BCC M314-0000-10-003-_____①-____②	
unshielded, 2 × PNP-LED		–	
shielded, no LED		BCC M314-0000-10-014-_____①-____②	
Approval/Conformity		CE, UL, EAC	
For drawing see page		151	

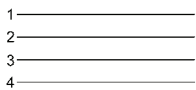
M8 female



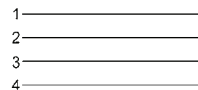
M8 male



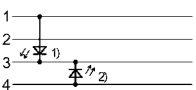
unshielded, no LED



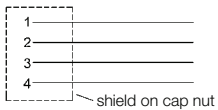
unshielded, no LED



unshielded, 2 × PNP-LED*



shielded, no LED



* 1) LED green = Power
2) LED yellow = Function



BCC M314 ...	BCC M324 ...	BCC M324 ...
M8 male, A-coded	M8 female, A-coded	M8 male, A-coded
straight	angled	angled
60 V AC/DC	60 V AC/DC	60 V AC/DC
–	30 V DC	–
4 A	4 A	4 A
IP67, IP69K	IP67, IP69K	IP67, IP69K
–	IP67	–
BCC M314-0000-20-003-_____①-___②	BCC M324-0000-10-003-_____①-___②	BCC M324-0000-20-003-_____①-___②
–	BCC M324-0000-10-008-_____①-___②	–
–	BCC M324-0000-10-014-_____①-___②	–
CE, UL, EAC	CE, UL, EAC	CE, UL, EAC
151	152	152

①	Material	Color	Number of conductors × conductor cross-section	Cable temperature fixed in place	Cable temperature flexed
UNSHIELDED					
PX0434	PUR	Black	4 × 0.34 mm ²	–50...+90 °C	–25...+90 °C
VX8434	PVC	Gray	4 × 0.34 mm ²	–40...+105 °C	–5...+105 °C
EX44T2	TPE	Yellow	4 × AWG22	–50...+105 °C	–25...+105 °C
VX44T2	PVC	Yellow	4 × AWG22	–40...+105 °C	–5...+105 °C
SHIELDED					
PS0434	PUR	Black	4 × 0.34 mm ²	–50...+90 °C	–25...+90 °C
VS8434	PVC	Gray	4 × 0.34 mm ²	–40...+105 °C	–5...+105 °C

②	Cable length
CONNECTION CABLE	
020	2 m
050	5 m
100	10 m

Other cable lengths on request!

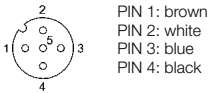
AVAILABLE AS BULK CABLE

	Order code	Part number	Cable length
PX0434	BCC0AC8	BCC 0000-0000-00-000-PX0434-10X	100 m
VX8434	BCC0C14	BCC 0000-0000-00-000-VX8434-10X	100 m
EX44T2	BCC0AEE	BCC 0000-0000-00-003-EX44T2-10X	100 m
VX44T2	BCC0AE8	BCC 0000-0000-00-003-VX44T2-10X	100 m

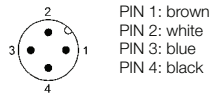


		BCC M415 ...	
Connection		M12 female, A-coded	
Version		straight	
Rated voltage	No LED	250 V AC/DC	
	with LED	30 V DC	
Rated current		4 A	
Degree of protection	unshielded	IP67, IP68, IP69K	
	shielded	IP67	
unshielded, no LED		BCC M415-0000-1A-003-_____①-___②	
unshielded, 2 × PNP-LED		BCC M415-0000-1A-008-_____①-___②	
unshielded, 3 × PNP-LED		BCC M415-0000-1A-010-_____①-___②	
shielded, no LED		BCC M415-0000-1A-014-_____①-___②	
Approval/Conformity		CE, UL, EAC	
For drawing see page		152	

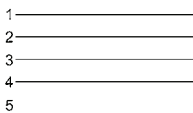
M12 female



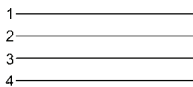
M12 male



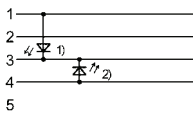
unshielded, no LED



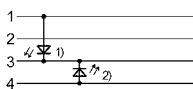
unshielded, no LED



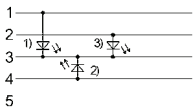
unshielded, 2 × PNP-LED*



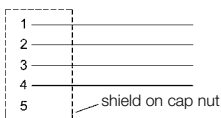
unshielded, 2 × PNP-LED*



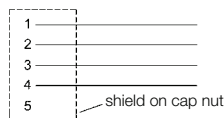
unshielded, 3 × PNP-LED*



shielded, no LED



shielded, no LED



* 1) LED green = Power
 2) LED yellow = Function
 3) LED white = Function



BCC M414 ...	BCC M425 ...	BCC M424 ...
M12 male, A-coded	M12 female, A-coded	M12 female, A-coded
straight	angled	angled
250 V AC/DC	250 V AC/DC	250 V AC/DC
–	30 V DC	30 V DC
4 A	4 A	4 A
IP67, IP68, IP69K	IP67, IP68, IP69K	IP67, IP68, IP69K
IP67	IP67	IP67
BCC M414-0000-2A-003-_____①-___②	BCC M425-0000-1A-003-_____①-___②	BCC M424-0000-2A-003-_____①-___②
–	BCC M425-0000-1A-008-_____①-___②	BCC M424-0000-2A-008-_____①-___②
–	BCC M425-0000-1A-010-_____①-___②	–
BCC M414-0000-2A-014-_____①-___②	BCC M425-0000-1A-014-_____①-___②	BCC M424-0000-2A-014-_____①-___②
CE, UL, EAC	CE, UL, EAC	CE, UL, EAC
152	153	153

①	Material	Color	Number of conductors x conductor cross-section	Cable temperature fixed in place	Cable temperature flexed
UNSHIELDED					
PX0434	PUR	Black	4 x 0.34 mm ²	-50...+90 °C	-25...+90 °C
VX8434	PVC	Gray	4 x 0.34 mm ²	-40...+105 °C	-5...+105 °C
EX44T2	TPE	Yellow	4 x AWG22	-50...+105 °C	-25...+105 °C
VX44T2	PVC	Yellow	4 x AWG22	-40...+105 °C	-5...+105 °C
SHIELDED					
PS0434	PUR	Black	4 x 0.34 mm ²	-50...+90 °C	-25...+90 °C
VS8434	PVC	Gray	4 x 0.34 mm ²	-40...+105 °C	-5...+105 °C

②	Cable length
CONNECTION CABLE	
020	2 m
050	5 m
100	10 m

Other cable lengths on request!

AVAILABLE AS BULK CABLE

	Order code	Part number	Cable length
PX0434	BCC0AC8	BCC 0000-0000-00-000-PX0434-10X	100 m
VX8434	BCC0C14	BCC 0000-0000-00-000-VX8434-10X	100 m
EX44T2	BCC0AEE	BCC 0000-0000-00-003-EX44T2-10X	100 m
VX44T2	BCC0AE8	BCC 0000-0000-00-003-VX44T2-10X	100 m

Sensors

RFID

Machine Vision and Optical Identification

Human Machine Interfaces

Systems

Safety

Industrial Networking

Power Supplies

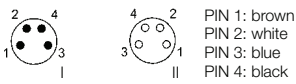
Connectivity

Accessories



	BCC M314-M314 ...	
Connection	M8 female, A-coded/ M8 male, A-coded	
Version	straight/straight	
Rated voltage	60 V AC/DC	
Rated current	4 A	
Degree of protection	IP67, IP69K/IP67, IP69K	
unshielded, no LED	BCC M314-M314-30-304-____@-__@	
Approval/Conformity	CE, UL, EAC	
For drawing see page	153	

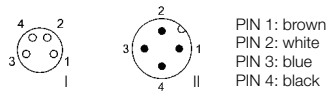
M8 female/M8 male



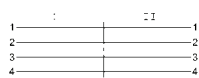
unshielded, no LED



M8 female/M12 male



unshielded, no LED





BCC M314-M324 ...	BCC M314-M414 ...	BCC M314-M424 ...
M8 female, A-coded/ M8 male, A-coded	M8 female, A-coded/ M12 male, A-coded	M8 female, A-coded/ M12 male, A-coded
straight/angled	straight/straight	straight/angled
60 V AC/DC	60 V AC/DC	60 V AC/DC
4 A	4 A	4 A
IP67, IP69K/IP67, IP69K	IP67, IP69K/IP67, IP68, IP69K	IP67, IP69K/IP67, IP68, IP69K
BCC M314-M324-30-304-_____①-__②	BCC M314-M414-3E-304-_____①-__②	BCC M314-M424-3E-304-_____①-__②
CE, UL, EAC	CE, UL, EAC	CE, UL, EAC
163	153	153

①	Material	Color	Number of conductors x conductor cross-section	Cable temperature fixed in place	Cable temperature flexed
UNSHIELDED					
PX0434	PUR	Black	4 x 0.34 mm ²	-50...+90 °C	-25...+90 °C
VX8434	PVC	Gray	4 x 0.34 mm ²	-40...+105 °C	-5...+105 °C
EX44T2	TPE	Yellow	4 x AWG22	-50...+105 °C	-25...+105 °C
VX44T2	PVC	Yellow	4 x AWG22	-40...+105 °C	-5...+105 °C

②	Cable length
CABLE	
003	0.3 m
006	0.6 m
010	1 m
015	1.5 m
020	2 m
050	5 m

Other cable lengths on request!

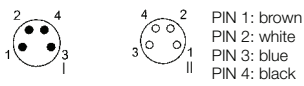
AVAILABLE AS BULK CABLE

	Order code	Part number	Cable length
PX0434	BCC0AC8	BCC 0000-0000-00-000-PX0434-10X	100 m
VX8434	BCC0C14	BCC 0000-0000-00-000-VX8434-10X	100 m
EX44T2	BCC0AEE	BCC 0000-0000-00-003-EX44T2-10X	100 m
VX44T2	BCC0AE8	BCC 0000-0000-00-003-VX44T2-10X	100 m

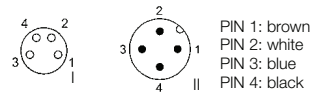


		BCC M324-M314 ...
Connection		M8 female, A-coded/ M8 male, A-coded
Version		angled/straight
Rated voltage		60 V AC/DC
Rated current		4 A
Degree of protection		IP67, IP69K/IP67, IP69K
unshielded, no LED		BCC M324-M314-30-304-____@-__@
Approval/Conformity		CE, UL, EAC
For drawing see page		154

M8 female/M8 male



M8 female/M12 male



unshielded, no LED



unshielded, no LED





BCC M324-M324 ...	BCC M324-M414 ...	BCC M324-M424 ...
M8 female, A-coded/ M8 male, A-coded	M8 female, A-coded/ M12 male, A-coded	M8 female, A-coded/ M12 male, A-coded
angled/angled	angled/straight	angled/angled
60 V AC/DC	60 V AC/DC	60 V AC/DC
4 A	4 A	4 A
IP67, IP69K/IP67, IP69K	IP67, IP69K/IP67, IP68, IP69K	IP67, IP69K/IP67, IP68, IP69K
BCC M324-M324-30-304-_____①-__-__②	BCC M324-M414-3E-304-_____①-__-__②	BCC M324-M424-3E-304-_____①-__-__②
CE, UL, EAC	CE, UL, EAC	CE, UL, EAC
154	154	154

①	Material	Color	Number of conductors × conductor cross-section	Cable temperature fixed in place	Cable temperature flexed
UNSHIELDED					
PX0434	PUR	Black	4 × 0.34 mm ²	-50...+90 °C	-25...+90 °C
VX8434	PVC	Gray	4 × 0.34 mm ²	-40...+105 °C	-5...+105 °C
EX44T2	TPE	Yellow	4 × AWG22	-50...+105 °C	-25...+105 °C
VX44T2	PVC	Yellow	4 × AWG22	-40...+105 °C	-5...+105 °C

②	Cable length
CABLE	
003	0.3 m
006	0.6 m
010	1 m
015	1.5 m
020	2 m
050	5 m

Other cable lengths on request!

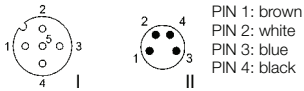
AVAILABLE AS BULK CABLE

	Order code	Part number	Cable length
PX0434	BCC0AC8	BCC 0000-0000-00-000-PX0434-10X	100 m
VX8434	BCC0C14	BCC 0000-0000-00-000-VX8434-10X	100 m
EX44T2	BCC0AEE	BCC 0000-0000-00-003-EX44T2-10X	100 m
VX44T2	BCC0AE8	BCC 0000-0000-00-003-VX44T2-10X	100 m



		BCC M415-M314 ...
Connection		M12 female, A-coded/ M8 male, A-coded
Version		straight/straight
Rated voltage	No LED	60 V AC/DC
	with LED	–
Rated current		4 A
Degree of protection	unshielded	IP67, IP68, IP69K/IP67, IP69K
	shielded	–
unshielded, no LED		BCC M415-M314-3F-304-____-①-____②
unshielded, 2 × PNP-LED		–
shielded, no LED		–
Approval/Conformity		CE, UL, EAC
For drawing see page		154

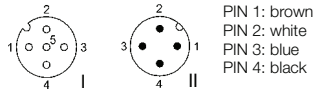
M12 female/M8 male



unshielded, no LED



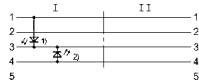
M12 female/M12 male



unshielded, no LED

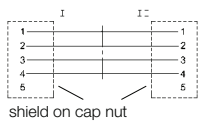


unshielded, 2 × PNP-LED*



* 1) LED green = Power
2) LED yellow = Function

shielded, no LED





BCC M415-M324 ...	BCC M415-M414 ...	BCC M415-M424 ...
M12 female, A-coded/ M8 male, A-coded	M12 female, A-coded/ M12 male, A-coded	M12 female, A-coded/ M12 male, A-coded
straight/angled	straight/straight	straight/angled
60 V AC/DC	250 V AC/DC	250 V AC/DC
–	30 V DC	–
4 A	4 A	4 A
IP67, IP68, IP69K/IP67, IP69K	IP67, IP68, IP69K/IP67, IP68, IP69K	IP67, IP68, IP69K/IP67, IP68, IP69K
–	IP67/IP67	–
BCC M415-M324-3F-304-_____①-___②	BCC M415-M414-3A-304-_____①-___②	BCC M415-M424-3A-304-_____①-___②
–	BCC M415-M414-3A-606-_____①-___②	–
–	BCC M415-M414-3A-305-PS0434①-___②	–
CE, UL, EAC	CE, UL, EAC	CE, UL, EAC
154	154	155

①	Material	Color	Number of conductors x conductor cross-section	Cable temperature fixed in place	Cable temperature flexed
UNSHIELDED					
PX0434	PUR	Black	4 × 0.34 mm ²	–50...+90 °C	–25...+90 °C
VX8434	PVC	Gray	4 × 0.34 mm ²	–40...+105 °C	–5...+105 °C
EX44T2	TPE	Yellow	4 × AWG22	–50...+105 °C	–25...+105 °C
VX44T2	PVC	Yellow	4 × AWG22	–40...+105 °C	–5...+105 °C
SHIELDED					
PS0434	PUR	Black	4 × 0.34 mm ²	–50...+90 °C	–25...+90 °C

②	Cable length
CABLE	
003	0.3 m
006	0.6 m
010	1 m
015	1.5 m
020	2 m
050	5 m

Other cable lengths on request!

AVAILABLE AS BULK CABLE

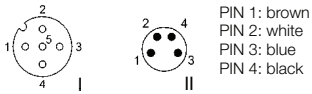
	Order code	Part number	Cable length
PX0434	BCC0AC8	BCC 0000-0000-00-000-PX0434-10X	100 m
VX8434	BCC0C14	BCC 0000-0000-00-000-VX8434-10X	100 m
EX44T2	BCC0AEE	BCC 0000-0000-00-003-EX44T2-10X	100 m
VX44T2	BCC0AE8	BCC 0000-0000-00-003-VX44T2-10X	100 m

Sensors
RFID
Machine Vision and Optical Identification
Human Machine Interfaces
Safety
Industrial Networking
Software and System Solutions
Power Supply
Connectivity
Accessories

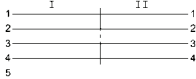


		BCC M425-M314 ...	
Connection		M12 female, A-coded/ M8 male, A-coded	
Version		angled/straight	
Rated voltage	No LED	60 V AC/DC	
	with LED	–	
Rated current		4 A	
Degree of protection		IP67, IP68, IP69K/IP67, IP69K	
unshielded, no LED		BCC M425-M314-3F-304-____-①-____②	
unshielded, 2 × PNP-LED		–	
Approval/Conformity		CE, UL, EAC	
For drawing see page		155	

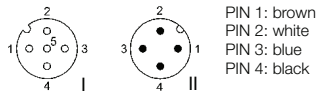
M12 female/M8 male



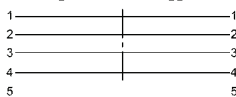
unshielded, no LED



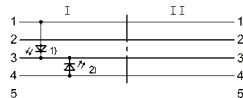
M12 female/M12 male



unshielded, no LED



unshielded, 2 × PNP-LED*



* 1) LED green = Power
2) LED yellow = Function



BCC M425-M324 ...	BCC M425-M414 ...	BCC M425-M424 ...
M12 female, A-coded/ M8 male, A-coded	M12 female, A-coded/ M12 male, A-coded	M12 female, A-coded/ M12 male, A-coded
angled/angled	angled/straight	angled/angled
60 V AC/DC	250 V AC/DC	250 V AC/DC
–	30 V DC	–
4 A	4 A	4 A
IP67, IP68, IP69K/IP67, IP69K	IP67, IP68, IP69K/IP67, IP68, IP69K	IP67, IP68, IP69K/IP67, IP68, IP69K
BCC M425-M324-3F-304-_____①-___②	BCC M425-M414-3A-304-_____①-___②	BCC M425-M424-3A-304-_____①-___②
–	BCC M425-M414-3A-606-_____①-___②	–
CE, UL, EAC	CE, UL, EAC	CE, UL, EAC
155	155	155

①	Material	Color	Number of conductors x conductor cross-section	Cable temperature fixed in place	Cable temperature flexed
UNSHIELDED					
PX0434	PUR	Black	4 x 0.34 mm ²	-50...+90 °C	-25...+90 °C
VX8434	PVC	Gray	4 x 0.34 mm ²	-40...+105 °C	-5...+105 °C
EX44T2	TPE	Yellow	4 x AWG22	-50...+105 °C	-25...+105 °C
VX44T2	PVC	Yellow	4 x AWG22	-40...+105 °C	-5...+105 °C

②	Cable length
CABLE	
003	0.3 m
006	0.6 m
010	1 m
015	1.5 m
020	2 m
050	5 m

Other cable lengths on request!

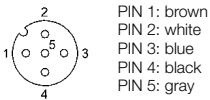
AVAILABLE AS BULK CABLE

	Order code	Part number	Cable length
PX0434	BCC0AC8	BCC 0000-0000-00-000-PX0434-10X	100 m
VX8434	BCC0C14	BCC 0000-0000-00-000-VX8434-10X	100 m
EX44T2	BCC0AEE	BCC 0000-0000-00-003-EX44T2-10X	100 m
VX44T2	BCC0AE8	BCC 0000-0000-00-003-VX44T2-10X	100 m



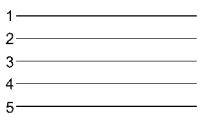
		BCC M415 ...
Connection		M12 female, A-coded
Version		straight
Rated voltage	No LED	60 V AC/DC
	with LED	–
Rated current		4 A
Degree of protection		IP67, IP68, IP69K
unshielded, no LED, no PE		BCC M415-0000-1A-017-PX0534④-__ _②
unshielded, no LED, with PE		BCC M415-0000-1A-034-PX0534④-__ _②
unshielded, 3 × PNP-LED, no PE		–
unshielded, 3 × PNP-LED, with PE		–
Approval/Conformity		CE, UL, EAC
For drawing see page		155

M12 female, no PE

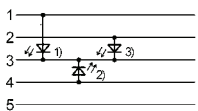


PIN 1: brown
 PIN 2: white
 PIN 3: blue
 PIN 4: black
 PIN 5: gray

unshielded, no LED

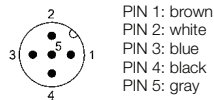


unshielded, 3 × PNP-LED*



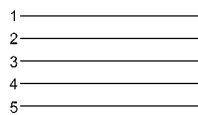
* 1) LED green = Power
 2) LED yellow = Function
 3) LED white = Function

M12 male, no PE

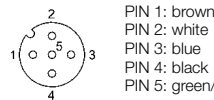


PIN 1: brown
 PIN 2: white
 PIN 3: blue
 PIN 4: black
 PIN 5: gray

unshielded, no LED

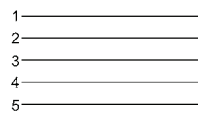


M12 female, with PE

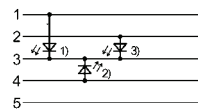


PIN 1: brown
 PIN 2: white
 PIN 3: blue
 PIN 4: black
 PIN 5: green/yellow

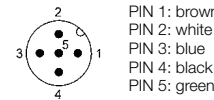
unshielded, no LED



unshielded, 3 × PNP-LED*

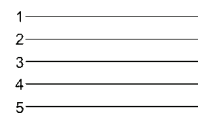


M12 male, with PE



PIN 1: brown
 PIN 2: white
 PIN 3: blue
 PIN 4: black
 PIN 5: green/yellow

unshielded, no LED





BCC M415 ...	BCC M425 ...
M12 male, A-coded	M12 female, A-coded
straight	angled
60 V AC/DC	60 V AC/DC
–	30 V DC
4 A	4 A
IP67, IP68, IP69K	IP67, IP68, IP69K
BCC M415-0000-2A-017-PX0534①-__ _②	BCC M425-0000-1A-017-PX0534①-__ _②
BCC M415-0000-2A-034-PX0534①-__ _②	BCC M425-0000-1A-034-PX0534①-__ _②
–	BCC M425-0000-1A-039-PX0534①-__ _②
–	BCC M425-0000-1A-040-PX0534①-__ _②
CE, UL, EAC	CE, UL, EAC
155	155

①	Material	Color	Number of conductors × conductor cross-section	Cable temperature fixed in place	Cable temperature flexed
UNSHIELDED					
PX0534	PUR	Black	5 × 0.34 mm ²	–50...+90 °C	–25...+90 °C

②	Cable length
CONNECTION CABLE	
020	2 m
050	5 m
100	10 m

Other cable lengths on request!

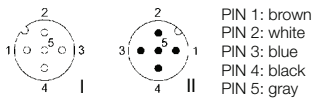
AVAILABLE AS BULK CABLE

	Order code	Part number	Cable length
PX0534	BCC0AC9	BCC 0000-0000-00-000-PX0534-10X	100 m

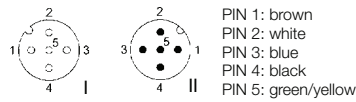


		BCC M415-M415 ...	
Connection		M12 female, A-coded/ M12 male, A-coded	
Version		straight/straight	
Rated voltage	No LED	60 V AC/DC	
	with LED	–	
Rated current		4 A	
Degree of protection	unshielded	IP67, IP68, IP69K/IP67, IP68, IP69K	
	shielded	IP67/IP67	
unshielded, no LED, no PE		BCC M415-M415-3A-312-PX0534①-__ _②	
unshielded, no LED, with PE		BCC M415-M415-3A-313-PX0534①-__ _②	
unshielded, 3 × PNP-LED, no PE		–	
unshielded, 3 × PNP-LED, with PE		–	
shielded, no LED, with PE		BCC M415-M415-3A-315-PS0534①-__ _②	
Approval/Conformity		CE, UL, EAC	
For drawing see page		156	

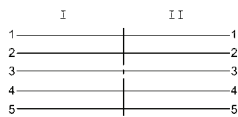
M12 female/M12 male, no PE



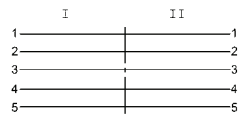
M12 female/M12 male, with PE



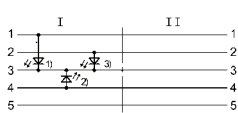
unshielded, no LED



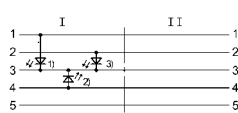
unshielded, no LED



unshielded, 3 × PNP-LED*

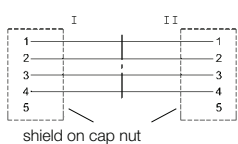


unshielded, 3 × PNP-LED*



* 1) LED green = Power
2) LED yellow = Function
3) LED white = Function

shielded, no LED





BCC M425-M415 ...	BCC M425 ...
M12 female, A-coded/ M12 male, A-coded	M12 female, A-coded/ M12 male, A-coded
angled/straight	angled/angled
60 V AC/DC	–
30 V DC	30 V DC
4 A	4 A
IP67, IP68, IP69K/IP67, IP68, IP69K	IP67, IP68, IP69K/IP67, IP68, IP69K
–	–
BCC M425-M415-3A-312-PX0534①-__ _②	–
BCC M425-M415-3A-313-PX0534①-__ _②	–
BCC M425-M415-3A-660-PX0534①-__ _②	BCC M425-M425-3A-660-PX0534①-__ _②
BCC M425-M415-3A-661-PX0534①-__ _②	BCC M425-M425-3A-661-PX0534①-__ _②
–	–
CE, UL, EAC	CE, UL, EAC
156	156

①	Material	Color	Number of conductors x conductor cross-section	Cable temperature fixed in place	Cable temperature flexed
UNSHIELDED					
PX0534	PUR		5 × 0.34 mm ²	–50...+90 °C	–25...+90 °C
SHIELDED					
PS0534	PUR		5 × 0.34 mm ²	–50...+90 °C	–25...+90 °C

②	Cable length
CABLE	
003	0.3 m
006	0.6 m
010	1 m
015	1.5 m
020	2 m
050	5 m

Other cable lengths on request!

AVAILABLE AS BULK CABLE

	Order code	Part number	Cable length
PX0534	BCC0AC9	BCC 0000-0000-00-000-PX0534-10X	100 m



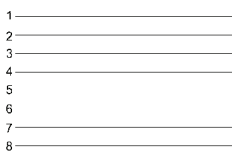
	BCC M418 ...	BCC M418 ...	
Connection	M12 female, A-coded	M12 male, A-coded	
Version	straight	straight	
Rated voltage	30 V AC/DC	30 V AC/DC	
Rated current	2 A	2 A	
Degree of protection	unshielded IP67, IP68, IP69K shielded IP67	IP67, IP68, IP69K –	
unshielded, no LED, junction block wiring	BCC M418-0000-1A-044-PX0825①-__ _ ②	BCC M418-0000-2A-044-PX0825①-__ _ ②	
unshielded, no LED, sensor wiring	BCC M418-0000-1A-069-PX0825①-__ _ ②	–	
shielded, no LED, sensor wiring	BCC M418-0000-1A-046-PS0825①-__ _ ②	–	
Approval/Conformity	CE, UL, EAC	CE, UL, EAC	
For drawing see page	156	156	

M12 female, junction block wiring



- PIN 1: white
- PIN 2: green
- PIN 3: yellow
- PIN 4: gray
- PIN 5: brown
- PIN 6: pink
- PIN 7: blue
- PIN 8: red

unshielded, no LED

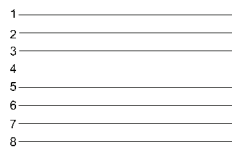


M12 female, sensor wiring



- PIN 1: white
- PIN 2: brown
- PIN 3: green
- PIN 4: yellow
- PIN 5: gray
- PIN 6: pink
- PIN 7: blue
- PIN 8: red

unshielded, no LED



M12 male, junction block wiring



- PIN 1: white
- PIN 2: green
- PIN 3: yellow
- PIN 4: gray
- PIN 5: brown
- PIN 6: pink
- PIN 7: blue
- PIN 8: red

unshielded, no LED

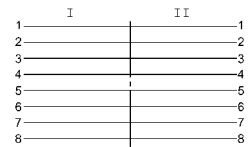


M12 female/M12 male, junction block wiring

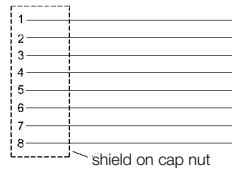


- PIN 1: white
- PIN 2: green
- PIN 3: yellow
- PIN 4: gray
- PIN 5: brown
- PIN 6: pink
- PIN 7: blue
- PIN 8: red

unshielded, no LED



shielded, no LED





BCC M428 ...	BCC M428 ...	BCC M418-M418 ...
M12 female, A-coded	M12 male, A-coded	M12 female, A-coded/ M12 male, A-coded
angled	angled	straight/straight
30 V AC/DC	30 V AC/DC	30 V AC/DC
2 A	2 A	2 A
IP67, IP68, IP69K	IP67, IP68, IP69K	IP67, IP68, IP69K/IP67, IP68, IP69K
IP67		
BCC M428-0000-1A-044-PX0825①-__ _②	BCC M428-0000-2A-044-PX0825①-__ _②	BCC M418-M418-3A-342-PX0825①-__ _②
BCC M428-0000-1A-069-PX0825①-__ _②	-	-
BCC M428-0000-1A-046-PS0825①-__ _②	-	-
CE, UL, EAC	CE, UL, EAC	CE, UL, EAC
156, 157	157	157

①	Material	Color	Number of conductors × conductor cross-section	Cable temperature fixed in place	Cable temperature flexed
UNSHIELDED					
PX0825	PUR	Black	8 × 0.25 mm ²	-50...+80 °C	-25...+80 °C
SHIELDED					
PS0825	PUR	Black	8 × 0.25 mm ²	-50...+90 °C	-25...+90 °C

②	Cable length
CONNECTION CABLE	
020	2 m
050	5 m
100	10 m
CABLE	
003	0.3 m
006	0.6 m
010	1 m
015	1.5 m
020	2 m
050	5 m

Other cable lengths on request!



	BCC M41C ...	BCC M41C ...	
Connection	M12 female, A-coded	M12 male, A-coded	
Version	straight	straight	
Rated voltage	30 V AC/DC	30 V AC/DC	
Rated current	1.5 A	1.5 A	
Degree of protection	IP67, IP68, IP69K	IP67, IP68, IP69K	
unshielded, no LED	BCC M41C-0000-1A-049-PX0C25 ①-__ _②	BCC M41C-0000-2A-049-PX0C25①-__ _②	
Approval/Conformity	CE, UL, EAC	CE, UL, EAC	
For drawing see page	157	157	

M12 female



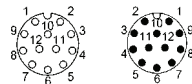
- PIN 1: brown
- PIN 2: blue
- PIN 3: white
- PIN 4: green
- PIN 5: pink
- PIN 6: yellow
- PIN 7: black
- PIN 8: gray
- PIN 9: red
- PIN 10: purple
- PIN 11: gray/pink
- PIN 12: red/blue

M12 male



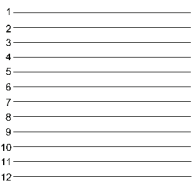
- PIN 1: brown
- PIN 2: blue
- PIN 3: white
- PIN 4: green
- PIN 5: pink
- PIN 6: yellow
- PIN 7: black
- PIN 8: gray
- PIN 9: red
- PIN 10: purple
- PIN 11: gray/pink
- PIN 12: red/blue

M12 female/M12 male

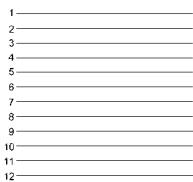


- PIN 1: brown
- PIN 2: blue
- PIN 3: white
- PIN 4: green
- PIN 5: pink
- PIN 6: yellow
- PIN 7: black
- PIN 8: gray
- PIN 9: red
- PIN 10: purple
- PIN 11: gray/pink
- PIN 12: red/blue

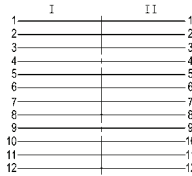
unshielded, no LED



unshielded, no LED



unshielded, no LED





BCC M42C ...	BCC M42C ...	BCC M41C-M41C ...
M12 female, A-coded	M12 male, A-coded	M12 female, A-coded/ M12 male, A-coded
angled	angled	straight/straight
30 V AC/DC	30 V AC/DC	30 V AC/DC
1.5 A	1.5 A	1.5 A
IP67, IP68, IP69K	IP67, IP68, IP69K	IP67, IP68, IP69K/IP67, IP68, IP69K
BCC M42C-0000-1A-049-PX0C25①-__ _②	BCC M42C-0000-2A-049-PX0C25①-__ _②	BCC M41C-M41C-3A-325-PX0C25①-__ _②
CE, UL, EAC	CE, UL, EAC	CE, UL, EAC
158	157	157

①	Material	Color	Number of conductors x conductor cross-section	Cable temperature fixed in place	Cable temperature flexed
UNSHIELDED					
PX0C25	PUR	Black	12 x 0.25 mm ²	-50...+80 °C	-25...+80 °C

②	Cable length
CONNECTION CABLE	
020	2 m
050	5 m
100	10 m
CABLE	
003	0.3 m
006	0.6 m
010	1 m
020	2 m
050	5 m

Other cable lengths on request!

Connection	
Version	
Rated voltage	
Rated current	
Degree of protection	
unshielded, no LED, 3-conductor, N.O. signal	
unshielded, no LED, 4-conductor	
Approval/Conformity	
For drawing see page	

**M12 female, 3-conductor,
N.O. signal**



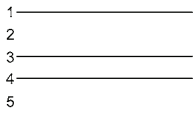
PIN 1: brown
PIN 3: blue
PIN 4: black

M12 female, 4-conductor

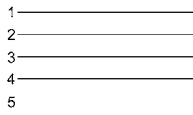


PIN 1: brown
PIN 2: white
PIN 3: blue
PIN 4: black

unshielded, no LED



unshielded, no LED





BCC M415 ...	BCC M425 ...
M12 female, A-coded	M12 female, A-coded
straight	angled
250 V AC/DC	250 V AC/DC
4 A	4 A
IP67, IP68, IP69K	IP67, IP68, IP69K
BCC M415-0000-1A-001-PH0334①-__ _②	BCC M425-0000-1A-001-PH0334①-__ _②
BCC M415-0000-1A-003-PH0434①-__ _②	BCC M425-0000-1A-003-PH0434①-__ _②
CE, UL, EAC	CE, UL, EAC
158	158

①	Material	Color	Number of conductors × conductor cross-section	Cable temperature fixed in place	Cable temperature flexed
UNSHIELDED					
PH0334	PUR	Black	3 × 0.34 mm ²	-40...+120 °C	
PH0434	PUR	Black	4 × 0.34 mm ²	-40...+120 °C	

②	Cable length
CONNECTION CABLE	
020	2 m
050	5 m
100	10 m

Other cable lengths on request!

AVAILABLE AS BULK CABLE

	Order code	Part number	Cable length
PH0434	BCC0H6E	BCC 0000-0000-00-000-PH0434-10X	100 m

Sensors

RFID

Machine Vision and Optical Identification

Human Machine Interfaces

Safety

Industrial Networking

Software and System Solutions

Power Supply

Connectivity

Accessories



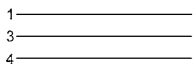
		BCC M313 ... BCC M314 ...	
Connection		M8 female, A-coded	
Version		straight	
Rated voltage	No LED	60 V AC/DC	
	with LED	–	
Rated current		4 A	
Degree of protection		IP67, IP69K	
unshielded, no LED, 3-conductor		BCC M313-0000-10-001-PW3334①-__ _②	
unshielded, no LED, 3-conductor, N.O. signal		–	
unshielded, 2 × PNP-LED, 3-conductor, N.O. signal		–	
unshielded, no LED, 4-conductor		BCC M314-0000-10-003-PW3434①-__ _②	
unshielded, 3 × PNP-LED, 4-conductor		–	
unshielded, 3 × PNP-LED, 5-conductor, with PE		–	
Approval/Conformity		CE, EAC	
For drawing see page		158	

M8 female, 3-conductor

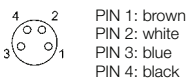


PIN 1: brown
PIN 3: blue
PIN 4: black

unshielded, no LED

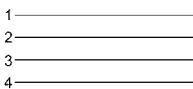


M8 female, 4-conductor



PIN 1: brown
PIN 2: white
PIN 3: blue
PIN 4: black

unshielded, no LED

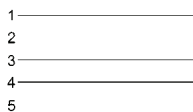


M12 female, 3-conductor, N.O. signal

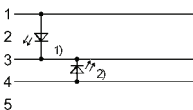


PIN 1: brown
PIN 3: blue
PIN 4: black

unshielded, no LED



unshielded, 2 × PNP-LED



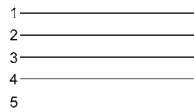
* 1) LED green = Power
2) LED yellow = Function
3) LED red = Function

M12 female, 4-conductor

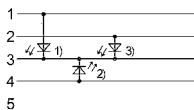


PIN 1: brown
PIN 2: white
PIN 3: blue
PIN 4: black

unshielded, no LED



unshielded, 3 × PNP-LED

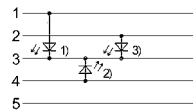


M12 female, 5-conductor, with PE



PIN 1: brown
PIN 2: white
PIN 3: blue
PIN 4: black
PIN 5: green/yellow

unshielded, 3 × PNP-LED





BCC M323 ... BCC M324 ...	BCC M415 ...	BCC M425 ...
M8 female, A-coded	M12 female, A-coded	M12 female, A-coded
angled	straight	angled
60 V AC/DC	250 V AC/DC	250 V AC/DC
–	–	30 V DC
4 A	4 A	4 A
IP67, IP69K	IP67, IP68, IP69K	IP67, IP68, IP69K
BCC M323-0000-10-001-PW3334①-__ _②	–	–
–	–	BCC M425-0000-1A-001-PW3334①-__ _②
–	–	BCC M425-0000-1A-004-PW3334①-__ _②
BCC M324-0000-10-003-PW3434①-__ _②	BCC M415-0000-1A-003-PW3434①-__ _②	BCC M425-0000-1A-003-PW3434①-__ _②
–	–	BCC M425-0000-1A-099-PW3434①-__ _②
–	–	BCC M425-0000-1A-100-PW3534①-__ _②
CE, EAC	CE, UL, EAC	CE, UL, EAC
158	158	158

①	Material	Color	Number of conductors × conductor cross-section	Cable temperature fixed in place	Cable temperature flexed
UNSHIELDED					
PW3334	PUR	Orange	3 × 0.34 mm ²	–50...+90 °C	–25...+90 °C
PW3434	PUR	Orange	4 × 0.34 mm ²	–50...+90 °C	–25...+90 °C
PW3534	PUR	Orange	5 × 0.34 mm ²	–50...+90 °C	–25...+90 °C

②	Cable length
CONNECTION CABLE	
020	2 m
050	5 m
100	10 m

Other cable lengths on request!

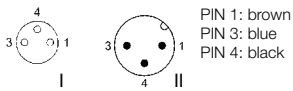
AVAILABLE AS BULK CABLE

	Order code	Part number	Cable length
PW3334	BCC0C1A	BCC 0000-0000-00-000-PW3334-10X	100 m
PW3434	BCC0C19	BCC 0000-0000-00-000-PW3434-10X	100 m
PW3534	BCC0C1F	BCC 0000-0000-00-003-PW3534-10X	100 m

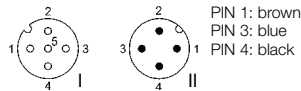


		BCC M323-M413 ...	
Connection		M8 female, A-coded/ M12 male, A-coded	
Version		angled/straight	
Rated voltage	No LED	–	
	with LED	30 V DC	
Rated current		4 A	
Degree of protection		IP67, IP69K/IP67, IP68, IP69K	
unshielded, 2 × PNP-LED, 3-conductor		BCC M323-M413-3E-602-PW3334①-__ _②	
unshielded, 2 × PNP-LED, 3-conductor, N.O. signal		–	
unshielded, no LED, 4-conductor		–	
unshielded, 3 × PNP-LED, 4-conductor		–	
unshielded, no LED, 5-conductor, with PE		–	
unshielded, 3 × PNP-LED, 5-conductor, with PE		–	
Approval/Conformity		CE, EAC	
For drawing see page		159	

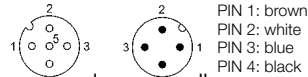
M8 female/M12 male, 3-conductor



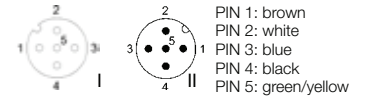
M12 female/M12 male, 3-conductor, N.O. signal



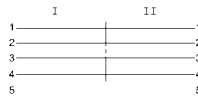
M12 female/M12 male, 4-wire



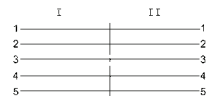
M12 female/M12 male, 5-conductor, with PE



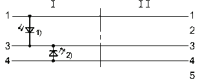
unshielded, no LED



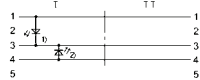
unshielded, no LED



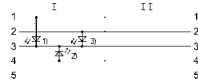
unshielded, 2 × PNP-LED*



unshielded, 2 × PNP-LED*



unshielded, 3 × PNP-LED*



unshielded, 3 × PNP-LED*



* 1) LED green = Power
 2) LED yellow = Function
 3) LED red = Function



BCC M415-M414... BCC M415-M415...	BCC M425-M413... BCC M425-M414... BCC M425-M415...
M12 female, A-coded/ M12 male, A-coded	M12 female, A-coded/ M12 male, A-coded
straight/straight	angled/straight
250 V AC/DC	250 V AC/DC
30 V DC	30 V DC
4 A	4 A
IP67, IP68, IP69K/IP67, IP68, IP69K	IP67, IP68, IP69K/IP67, IP68, IP69K
-	-
-	BCC M425-M413-3A-602-PW3334①-__ _②
BCC M415-M414-3A-304-PW3434①-__ _②	BCC M425-M414-3A-304-PW3434①-__ _②
-	BCC M425-M414-3A-691-PW3434①-__ _②
BCC M415-M415-3A-313-PW3534①-__ _②	BCC M425-M415-3A-313-PW3534①-__ _②
-	BCC M425-M415-3A-692-PW3534①-__ _②
CE, UL, EAC	CE, UL, EAC
159	159

①	Material	Color	Number of conductors x conductor cross-section	Cable temperature fixed in place	Cable temperature flexed
UNSHIELDED					
PW3334	PUR	Orange	3 x 0.34 mm ²	-50...+90 °C	-25...+90 °C
PW3434	PUR	Orange	4 x 0.34 mm ²	-50...+90 °C	-25...+90 °C
PW3534	PUR	Orange	5 x 0.34 mm ²	-50...+90 °C	-25...+90 °C

②	Cable length
CABLE	
003	0.3 m
006	0.6 m
010	1 m
015	1.5 m
020	2 m
050	5 m

Other cable lengths on request!

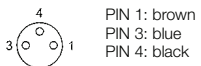
AVAILABLE AS BULK CABLE

	Order code	Part number	Cable length
PW3334	BCC0C1A	BCC 0000-0000-00-000-PW3334-10X	100 m
PW3434	BCC0C19	BCC 0000-0000-00-000-PW3434-10X	100 m
PW3534	BCC0C1F	BCC 0000-0000-00-003-PW3534-10X	100 m



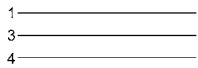
	BCC W313 ... BCC W314 ...	
Connection	M8 female, A-coded	
Version	straight	
Rated voltage	60 V AC/DC	
Rated current	4 A	
Degree of protection	IP65	
unshielded, no LED, 3-conductor	BCC W313-0000-10-001-BW8334①-__ _②	
unshielded, no LED, 4-conductor	BCC W314-0000-10-003-BW8434①-__ _②	
Approval/Conformity	CE, UL, EAC	
For drawing see page	159	

M8 female, 3-conductor



PIN 1: brown
PIN 3: blue
PIN 4: black

unshielded, no LED

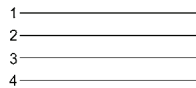


M8 female, 4-conductor



PIN 1: brown
PIN 2: white
PIN 3: blue
PIN 4: black

unshielded, no LED

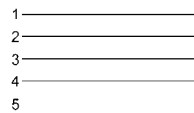


M12 female, 4-conductor



PIN 1: brown
PIN 2: white
PIN 3: blue
PIN 4: black

unshielded, no LED





BCC W323 ... BCC W324 ...	BCC W415 ...	BCC W425 ...
M8 female, A-coded	M12 female, A-coded	M12 female, A-coded
angled	straight	angled
60 V AC/DC	250 V AC/DC	250 V AC/DC
4 A	4 A	4 A
IP65	IP65	IP65
BCC W323-0000-10-001-BW8334①-__ _②	-	-
BCC W324-0000-10-003-BW8434①-__ _②	BCC W415-0000-1A-003-BW8434①-__ _②	BCC W425-0000-1A-003-BW8434①-__ _②
CE, UL, EAC	CE, UL, EAC	CE, UL, EAC
159	159	159

①	Material	Color	Number of conductors × conductor cross-section	Cable temperature fixed in place	Cable temperature flexed
UNSHIELDED					
BW8334	TPE	Gray	3 × 0.34 mm ²	-50...+130 °C	-40...+125 °C
BW8434	TPE	Gray	4 × 0.34 mm ²	-50...+130 °C	-40...+125 °C

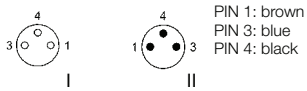
②	Cable length
CONNECTION CABLE	
020	2 m
050	5 m

Other cable lengths on request!



		BCC W313-W313 ...
Connection		M8 female, A-coded/ M8 male, A-coded
Version		straight/straight
Rated voltage		60 V AC/DC
Rated current		4 A
Degree of protection		IP65/IP65
unshielded, no LED, 3-conductor		BCC W313-W313-30-300-BW8334①-_- _②
unshielded, no LED, 4-conductor		-
Approval/Conformity		CE, UL, EAC
For drawing see page		159

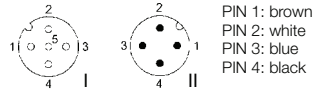
**M8 female/M8 male,
3-wire**



unshielded, no LED



**M12 female/M12 male,
4-wire**



unshielded, no LED





BCC W415-W414 ...	BCC W425-W414 ...
M12 female, A-coded/ M12 male, A-coded	M12 female, A-coded/ M12 male, A-coded
straight/straight	angled/straight
250 V AC/DC	250 V AC/DC
4 A	4 A
IP65/IP65	IP65/IP65
–	–
BCC W415-W414-3A-304-BW8434①-__ _②	BCC W425-W414-3A-304-BW8434①-__ _②
CE, UL, EAC	CE, UL, EAC
159	159

①	Material	Color	Number of conductors x conductor cross-section	Cable temperature fixed in place	Cable temperature flexed
UNSHIELDED					
BW8334	TPE	Gray	3 × 0.34 mm ²	–50...+130 °C	–40...+125 °C
BW8434	TPE	Gray	4 × 0.34 mm ²	–50...+130 °C	–40...+125 °C

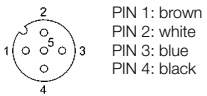
②	Cable length
CABLE	
003	0.3 m
006	0.6 m
010	1 m
015	1.5 m
020	2 m
050	5 m

Other cable lengths on request!

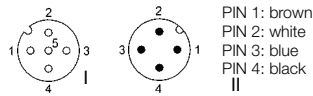


	BCC W415 ...	
Connection	M12 female, A-coded	
Version	straight	
Rated voltage	250 V AC/DC	
Rated current	4 A	
Degree of protection	IP65	
unshielded, no LED	BCC W415-0000-1A-003-SW0434①-__ _ ②	
unshielded, 3 × PNP-LED	–	
Approval/Conformity	CE, UL, EAC	
For drawing see page	160	

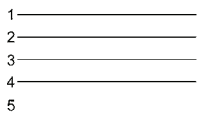
M12 female



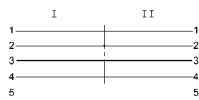
M12 female/M12 male



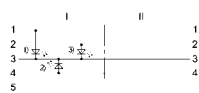
unshielded, no LED



unshielded, no LED



unshielded, 3 × PNP-LED



- * 1) LED green = Power
- 2) LED yellow = Function
- 3) LED red = Function



BCC W425 ...	BCC W415 ... BCC W414 ...	BCC W425 ... BCC W414 ...
M12 female, A-coded	M12 female, A-coded/ M12 male, A-coded	M12 female, A-coded/ M12, A-coded, male
angled	straight/straight	angled/straight
250 V AC/DC	250 V AC/DC	250 V AC/DC
4 A	4 A	4 A
IP65	IP65/IP65	IP65/IP65
BCC W425-0000-1A-003-SW0434①-__-__②	BCC W415-W414-3A-304-SW0434①-__-__②	BCC W425-W414-3A-304-SW0434①-__-__②
-	BCC W415-W414-3A-650-SW0434①-__-__②	BCC W425-W414-3A-650-SW0434①-__-__②
CE, UL, EAC	CE, UL, EAC	CE, UL, EAC
160	160	160

①	Material	Color	Number of conductors x conductor cross-section	Cable temperature fixed in place	Cable temperature flexed
UNSHIELDED					
SW0434	Silicone	Black	4 x 0.34 mm ²	-40...+200 °C	-25...+200 °C

②	Cable length
CONNECTION CABLE	
020	2 m
050	5 m
100	10 m
CABLE	
003	0.3 m
006	0.6 m
010	1 m
015	1.5 m
020	2 m
050	5 m

Other cable lengths on request!

AVAILABLE AS BULK CABLE

	Order code	Part number	Cable length
SW0434	BCC0HA8	BCC 0000-0000-00-003-SW0434-10X	100 m

Sensors

RFID

Machine Vision and
Optical Identification

Human Machine
Interfaces

Safety

Industrial Networking

Software and
System Solutions

Power Supply

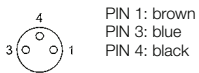
Connectivity

Accessories

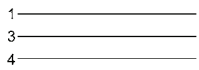


		BCC W313 ... BCC W314 ...
Connection		M8 female, A-coded
Version		straight
Rated voltage	No LED	60 V AC/DC
Rated current		4 A
Degree of protection	unshielded	IP65
unshielded, no LED, 3-conductor		BCC W313-0000-10-001-TW0334①-__ _ ②
unshielded, no LED, 4-conductor		BCC W314-0000-10-003-TW0434①-__ _ ②
Approval/Conformity		CE, UL, EAC
For drawing see page		160

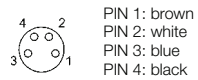
M8 female, 3-conductor



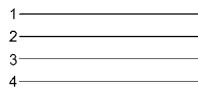
unshielded, no LED



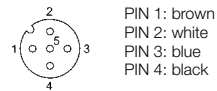
M8 female, 4-conductor



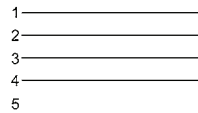
unshielded, no LED



M12 female, 4-conductor



unshielded, no LED





BCC W323 ... BCC W324 ...	BCC W415 ...	BCC W425 ...
M8 female, A-coded	M12 female, A-coded	M12 female, A-coded
angled	straight	angled
60 V AC/DC	250 V AC/DC	250 V AC/DC
4 A	4 A	4 A
IP65	IP65	IP65
BCC W323-0000-10-001-TW0334①-__ _②	-	-
BCC W324-0000-10-003-TW0434①-__ _②	BCC W415-0000-1A-003-TW0434①-__ _②	BCC W425-0000-1A-003-TW0434①-__ _②
CE, UL, EAC	CE, UL, EAC	CE, UL, EAC
161	161	161

①	Material	Color	Number of conductors × conductor cross-section	Cable temperature fixed in place	Cable temperature flexed
UNSHIELDED					
TW0334	FEP	Black	3 × 0.34 mm ²	-100...+200 °C	-
TW0434	FEP	Black	4 × 0.34 mm ²	-100...+200 °C	-

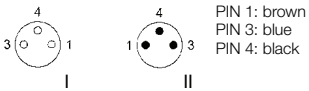
②	Cable length
CONNECTION CABLE	
020	2 m
050	5 m
100	10 m

Other cable lengths on request!

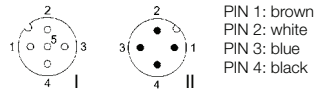


		BCC W313-W313 ...	
Connection		M8 female, A-coded/ M8 male, A-coded	
Version		straight/straight	
Rated voltage	No LED	60 V AC/DC	
	with LED	–	
Rated current		4 A	
Degree of protection	unshielded	IP65/IP65	
	unshielded, no LED, 3-conductor	BCC W313-W313-30-300-TW0334①-__ _②	
	unshielded, no LED, 4-conductor	–	
	unshielded, 3 × PNP-LED, 4-conductor	–	
Approval/Conformity		CE, UL, EAC	
For drawing see page		161	

**M8 female/M8 male,
3-wire**



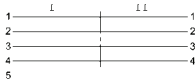
**M12 female/M12 male,
4-wire**



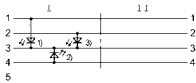
unshielded, no LED



unshielded, no LED



unshielded, 3 × PNP-LED



* 1) LED green = Power
2) LED yellow = Function
3) LED white = Function



BCC W415-W414 ...	BCC W425-W414 ...
M12 female, A-coded/ M12 male, A-coded	M12 female, A-coded/ M12 male, A-coded
straight/straight	angled/straight
250 V AC/DC	250 V AC/DC
30 V DC	30 V DC
4 A	4 A
IP65/IP65	IP65/IP65
-	-
BCC W415-W414-3A-304-TW0434①-__ _②	BCC W425-W414-3A-304-TW0434①-__ _②
BCC W415-W414-3A-650-TW0434①-__ _②	BCC W425-W414-3A-650-TW0434①-__ _②
CE, UL, EAC	CE, UL, EAC
161	161

①	Material	Color	Number of conductors × conductor cross-section	Cable temperature fixed in place	Cable temperature flexed
UNSHIELDED					
TW0334	FEP	Black	3 × 0.34 mm ²	-100...+200 °C	-
TW0434	FEP	Black	4 × 0.34 mm ²	-100...+200 °C	-

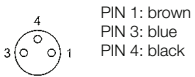
②	Cable length
CABLE	
003	0.3 m
006	0.6 m
010	1 m
015	1.5 m
020	2 m
050	5 m

Other cable lengths on request!



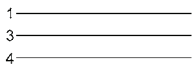
	BCC W313 ... BCC W314 ...	
Connection	M8 female, A-coded	
Version	straight	
Rated voltage	No LED	60 V AC/DC
Rated current		4 A
Degree of protection	unshielded	IP65
unshielded, no LED, 3-conductor		BCC W313-0000-10-001-MW8334①-__ _Ⓢ
unshielded, no LED, 4-conductor		BCC W314-0000-10-003-MW8434①-__ _Ⓢ
Approval/Conformity		CE, UL, EAC
For drawing see page		161, 162

M8 female, 3-conductor



PIN 1: brown
PIN 3: blue
PIN 4: black

unshielded, no LED

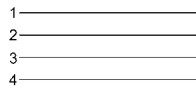


M8 female, 4-conductor



PIN 1: brown
PIN 2: white
PIN 3: blue
PIN 4: black

unshielded, no LED

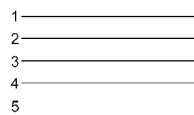


M12 female, 4-conductor



PIN 1: brown
PIN 2: white
PIN 3: blue
PIN 4: black

unshielded, no LED





BCC W323 ... BCC W324 ...	BCC W415 ...	BCC W425 ...
M8 female, A-coded	M12 female, A-coded	M12 female, A-coded
angled	straight	angled
60 V AC/DC	250 V AC/DC	250 V AC/DC
4 A	4 A	4 A
IP65	IP65	IP65
BCC W323-0000-10-001-MW8334①-__ _ ②	-	-
BCC W324-0000-10-003-MW8434①-__ _ ②	BCC W415-0000-1A-003-MW8434①-__ _ ②	BCC W425-0000-1A-003-MW8434①-__ _ ②
CE, UL, EAC	CE, UL, EAC	CE, UL, EAC
162	162	162

①	Material	Color	Number of conductors × conductor cross-section	Cable temperature fixed in place	Cable temperature flexed
UNSHIELDED					
MW8334	V2A, metal braided	-	3 × 0.34 mm ²	-50...+90 °C	-25...+90 °C
MW8434	V2A, metal braided	-	4 × 0.34 mm ²	-50...+90 °C	-25...+90 °C

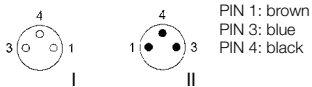
②	Cable length
CONNECTION CABLE	
006	0.6 m
010	1 m
020	2 m
050	5 m

Other cable lengths on request!



		BCC W313-W313 ...	
Connection		M8 female, A-coded/ M8 male, A-coded	
Version		straight/straight	
Rated voltage	No LED	60 V AC/DC	
Rated current		4 A	
Degree of protection	unshielded	IP65/IP65	
unshielded, no LED, 3-conductor		BCC W313-W313-30-300-MW8334 ^① -__- ^②	
unshielded, no LED, 4-conductor		-	
Approval/Conformity		CE, UL, EAC	
For drawing see page		162	

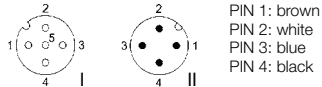
**M8 female/M8 male,
3-wire**



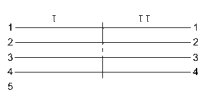
unshielded, no LED



**M12 female/M12 male,
4-wire**



unshielded, no LED





BCC W323-W313 ...	BCC W415-W414 ...	BCC W425-W414 ...
M8 female, A-coded/ M8 male, A-coded	M12 female, A-coded/ M12 male, A-coded	M12 female, A-coded/ M12 male, A-coded
angled/straight	straight/straight	angled/straight
60 V AC/DC	250 V AC/DC	250 V AC/DC
4 A	4 A	4 A
IP65/IP65	IP65/IP65	IP65/IP65
BCC W323-W313-30-300-MW8334 ^① -__- ^②	-	-
-	BCC W415-W414-3A-304-MW8434 ^① -__- ^②	BCC W425-W414-3A-304-MW8434 ^① -__- ^②
CE, UL, EAC	CE, UL, EAC	CE, UL, EAC
162	162	162

①	Material	Color	Number of conductors x conductor cross-section	Cable temperature fixed in place	Cable temperature flexed
UNSHIELDED					
MW8334	V2A, metal braided	-	3 x 0.34 mm ²	-50...+90 °C	-25...+90 °C
MW8434	V2A, metal braided	-	4 x 0.34 mm ²	-50...+90 °C	-25...+90 °C

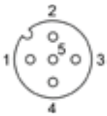
②	Cable length
CABLE	
003	0.3 m
006	0.6 m
010	1 m
015	1.5 m
020	2 m
050	5 m

Other cable lengths on request!



	BCC S4B5 ...	
Connection	M12x1 female, A-coded	
Version	straight	
Rated voltage	250 V AC/DC	
Rated current	4 A	
Degree of protection	IP67, IP69K	
unshielded, no LED 4-conductor	BCC S4B5-0000-1A-003-YX8434-__ _0-C009	
unshielded, no LED 5-conductor no PE		
unshielded, no LED 5-conductor with PE		
Approval/Conformity	CE, EAC, ECOLAB, WEEE	
For drawing see page	164	

M12 female, 4-conductor

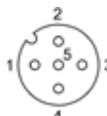


PIN 1: brown
 PIN 2: white
 PIN 3: blue
 PIN 4: black

unshielded, no LED



M12 female, 5-conductor, no PE

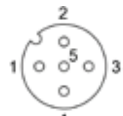


PIN 1: brown
 PIN 2: white
 PIN 3: blue
 PIN 4: black
 PIN 5: grey

unshielded, no LED



M12 female, 5-conductor with PE



PIN 1: brown
 PIN 2: white
 PIN 3: blue
 PIN 4: black
 PIN 5: green/yellow



BCC S4C5 ...	BCC S4B5 ...	BCC S4C5 ...
M12x1 female, A-coded	M12x1 female, A-coded	M12x1 female, A-coded
angled	straight	angled
250 V AC/DC	250 V AC/DC	250 VDC / 250 VAC
4 A	4 A	4 A
IP67, IP69K	IP67, IP69K	IP67, IP69K
BCC S4C5-0000-1A-003-YX8434-___①-C00		
	BCC S4B5-0000-1A-017-YX8534-___①-C009	BCC S4C5-0000-1A-017-YX8534-___①-C009
	BCC S4B5-0000-1A-034-YX8534-___①-C009	
CE, EAC, ECOLAB, WEEE	CE, EAC, ECOLAB, WEEE	CE, EAC, ECOLAB, WEEE
164	164	164

	Material	Color	Number of conductors × conductor cross-section	Cable temperature fixed in place	Cable temperature fixed
UNSHIELDED					
YX8434	TPE-V	grey	4 × 0.34 mm ²	-50...+105 °C	-25...+105 °C
YX8435	TPE-V	grey	5 × 0.34 mm ²	-50...+105 °C	-25...+105 °C

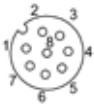
①	Cable length
CONNECTION CABLE	
020	2 m
050	5 m
100	10 m
150	15 m
200	20 m

Other cable lengths on request!

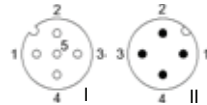


	BCC S4B8 ...	
Connection	M12x1 female, A-coded	
Version	straight	
Rated voltage	30 V AC/DC	
Rated current	2 A	
Degree of protection	IP67, IP69K	
Unshielded, no LED 4-conductor		
Unshielded, no LED 5-conductor mit PE		
Unshielded, no LED 8-conductor	BCC S4B8-0000-1A-045-YX8825-__ _@-C009	
Approval/Conformity	CE, EAC, ECOLAB, WEEE	
For drawing see page	164	

M12 female



M12 female/M12 male, 4-conductor

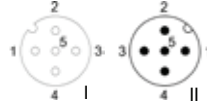


PIN 1: brown
 PIN 2: white
 PIN 3: blue
 PIN 4: black

Unshielded, no LED 8-conductor



M12 female/M12 male, 5-conductor with PE

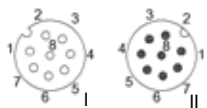


PIN 1: brown
 PIN 2: white
 PIN 3: blue
 PIN 4: black
 PIN 5: grün/gelb

Unshielded, no LED 4-conductor

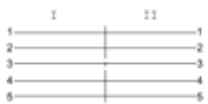


M12 female/M12-Stecke, 8-conductor

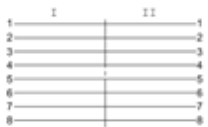


PIN 1: brown
 PIN 2: white
 PIN 3: blue
 PIN 4: black
 PIN 5: grey
 PIN 6: pink
 PIN 7: violett
 PIN 8: orange

Unshielded, no LED 5-conductor mit PE



Unshielded, no LED 8-conductor





BCC S4B5 - S4B4 ...	BCC S4B5 - S4B5 ...	BCC S4B8 - S4B8 ...
M12, A female, A-coded M12, A male, A-coded	M12, A female, A-coded M12, A male, A-coded	M12, A female, A-coded M12, A male, A-coded
straight/straight	straight/straight	straight/straight
250 V AC/DC	60 V AC/DC	30 V AC/DC
4 A	4 A	2 A
IP67, IP69K	IP67, IP69K	IP67, IP69K
BCC S4B5-S4B4-3A-304-YX8434-__ _⓪-C009	BCC S4B5-S4B5-3A-313-YX8534-__ _⓪-C009	BCC S4B8-S4B8-3A-321-YX8825-__ _⓪-C009
CE, EAC, ECOLAB, WEEE	CE, EAC, ECOLAB, WEEE	CE, EAC, ECOLAB, WEEE
164	164	164

	Material	Color	Number of conductors × conductor cross-section	Cable temperature fixed in place	Cable temperature fixed
UNSHIELDED					
YX8434	TPE-V	grey	4 × 0.34 mm ²	-50...+105 °C	-25...+105 °C
YX8534	TPE-V	grey	5 × 0.34 mm ²	-50...+105 °C	-25...+105 °C
YX8825	TPE-V	grey	8 × 0,25 mm ²	-50...+105 °C	-25...+105 °C

①	Cable length
CONNECTION CABLE	
020	2 m
050	5 m
100	10 m
150	15 m
CABLE	
0.6	0.6 m
020	2 m
050	5 m
100	10 m
150	15 m

Other cable lengths on request!



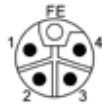
	BCC M414 ...	
Connection	M12x1 female, L-coded	
Version	straight	
Rated voltage	50 V DC / 60 V AC	
Rated current	16 A	
Degree of protection	IP65, IP67, IP69k	
unshielded no FE	BCC M414-0000-1L-003-PX04A5-__ _⓪	
Approval/Conformity	UL,CE, EAC, WEEE	
For drawing see page	168	

M12 female no FE



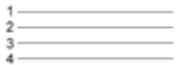
PIN 1: brown
 PIN 2: white
 PIN 3: blue
 PIN 4: black

M12 male no FE



PIN 1: brown
 PIN 2: white
 PIN 3: blue
 PIN 4: black

unshielded no FE





BCC M424 ...	BCC M415 ...	BCC M425 ...
M12x1 female, L-coded	M12x1 male, L-coded	M12x1 male, L-coded
angled	Sstraight	angled
50 V DC / 60 V AC	50 V DC / 60 V AC	50 V DC / 60 V AC
16 A	16 A	16 A
IP65, IP67, IP69k	IP65, IP67, IP69k	IP65, IP67, IP69k
BCC M424-0000-1L-003-PX04A5-___①	BCC M415-0000-2L-003-PX04A5-___①	BCC M425-0000-2L-003-PX04A5-___①
UL, CE, EAC, WEEE	UL, CE, EAC, WEEE	UL, CE, EAC, WEEE
168	168	168

	Material	Color	Number of conductors × conductor cross-section	Cable temperature fixed in place	Cable temperature fixed
UNSHIELDED					
PX04A5	PUR	black	4 × 1.5 mm ²	-50...+80 °C	-20...+80 °C

①	Cable length
CONNECTION CABLE	
020	2 m
050	5 m
100	10 m

Other cable lengths on request!

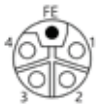
AVAILABLE AS BULK CABLE

	Order code	Part number	Cable length
PX04A5	BCC0ACF	BCC 0000-0000-00-000-PX04A5-10X	100 m



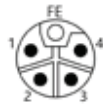
	BCC M415 ...	
Connection	M12x1 female, L-coded	
Version	straight	
Rated voltage	50 V DC / 60 V AC	
Rated current	16 A	
Degree of protection	IP65, IP67, IP69k	
unshielded with FE	BCC M415-0000-1L-150-PX85A5-5-__ _⓪	
Approval/Conformity	UL, CE, EAC, WEEE	
For drawing see page	168	

M12 female with FE



PIN 1: brown
 PIN 2: white
 PIN 3: blue
 PIN 4: black
 PIN 5: pink

M12 male with FE



PIN 1: brown
 PIN 2: white
 PIN 3: blue
 PIN 4: black
 PIN 5: pink

unshielded with FE





BCC M425 ...	BCC M415 ...	BCC M425 ...
M12x1 female, L-coded	M12x1 male, L-coded	M12x1 male, L-coded
angled	straight	angled
50 V DC / 60 V AC	50 V DC / 60 V AC	50 V DC / 60 V AC
16 A	16 A	16 A
IP65, IP67, IP69k	IP65, IP67, IP69k	IP65, IP67, IP69k
BCC M425-0000-1L-150-PX85A5-___①	BCC M415-0000-2L-150-PX85A5-___①	BCC M425-0000-2L-150-PX85A5-___①
UL, CE, EAC, WEEE	UL, CE, EAC, WEEE	UL, CE, EAC, WEEE
168	168	168

	Material	Color	Number of conductors × conductor cross-section	Cable temperature fixed in place	Cable temperature fixed
UNSHIELDED					
PX85A5	PUR	grey	5 × 1.5 mm ²	-50...+80 °C	-20...+80 °C

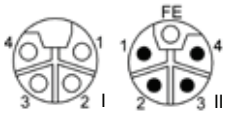
①	Cable length
CONNECTION CABLE	
020	2 m
050	5 m
100	10 m

Other cable lengths on request!



	BCC M414-M415 ...	
Connection	M12x1 female, L-coded M12x1 male, L-coded	
Version	straight/straight	
Rated voltage	50 V DC / 60 V AC	
Rated current	16 A	
Degree of protection	IP65, IP67, IP69k	
unshielded no FE	BCC M414-M415-3L-304-PX04A5-__ _Ⓢ	
Approval/Conformity	UL, CE, EAC, WEEE	
For drawing see page	169	

M12 female/M12 male no FE



unshielded no FE





BCC M424-M425 ...	
M12x1 female, L-coded M12x1 male, L-coded	
angled/angled	
50 V DC / 60 V AC	
16 A	
IP65, IP67, IP69k	
BCC M424-M425-3L-304-PX04A5-__ _ ①	
UL, CE, EAC, WEEE	
169	

	Material	Color	Number of conductors × conductor cross-section	Cable temperature fixed in place	Cable temperature flexed
UNSHIELDED					
PX04A5	PUR	black	4 × 1.5 mm ²	-50...+80 °C	-20...+80 °C

①	Cable length
CONNECTION CABLE	
006	0.6 m
020	2 m
050	5 m
100	10 m
150	15 m

Other cable lengths on request!

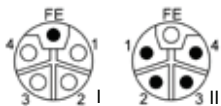
AVAILABLE AS BULK CABLE

	Order code	Part number	Cable length
PX04A5	BCC0ACF	BCC 0000-0000-00-000-PX04A5-10X	100 m



		BCC M415-5M415 ...
Connection		M12x1 female, L-coded M12x1 male, L-coded
Version		straight/straight
Rated voltage		50 V DC / 60 V AC
Rated current		16 A
Degree of protection		IP65, IP67, IP69k
Unshielded with FE		BCC M415-M415-3L-386-PX85A5-__ _Ⓢ
Approval/Conformity		UL, CE, EAC, WEEE
For drawing see page		169

M12 female/M12 male



- PIN 1: brown
- PIN 2: white
- PIN 3: blue
- PIN 4: black
- PIN 5: pink

unshielded with FE





BCC M415-M425 ...	BCC M425-M415 ...	BCC M425 ...
M12x1 female, L-coded M12x1 male, L-coded	M12x1 female, L-coded M12x1 male, L-coded	M12x1 female, L-coded M12x1 male, L-coded
straight/angled	straight/angled	angled/angled
50 V DC / 60 V AC	50 V DC / 60 V AC	50 V DC / 60 V AC
16 A	16 A	16 A
IP65, IP67, IP69k	IP65, IP67, IP69k	IP65, IP67, IP69k
BCC M415-M425-3L-386-PX85A5-___①	BCC M425-M415-3L-386-PX85A5-___①	BCC M425-M425-3L-386-PX85A5-___①
UL, CE, EAC, WEEE	UL, CE, EAC, WEEE	UL, CE, EAC, WEEE
169	169	169

	Material	Color	Number of conductors × conductor cross-section	Cable temperature fixed in place	Cable temperature fixed
UNSHIELDED					
PX8A5	PUR	grey	5 × 1.5 mm ²	-50...+80 °C	-20...+80 °C

①	Cable length
CONNECTION CABLE	
006	0.6 m
020	2 m
050	5 m
100	10 m
150	15 m

Other cable lengths on request!

Sensors

RFID

Machine Vision and Optical Identification

Human Machine Interfaces

Safety

Industrial Networking

Software and System Solutions

Power Supply

Connectivity

Accessories



	BCC A313 ...	BCC A313 ...	
Connection	7/8" female	7/8" male	
Version	straight	straight	
Rated voltage	300 V AC/DC	300 V AC/DC	
Rated current	13 A	13 A	
Degree of protection	IP67, IP68	IP67, IP68	
unshielded, with PE	BCC A313-0000-10-097-PX03A5①-_-_-②	-	
unshielded, no PE	BCC A313-0000-10-071-VX43W6①-_-_-②	BCC A313-0000-20-071-VX43W6①-_-_-②	
Approval/Conformity	CE, UL, EAC	CE, UL, EAC	
For drawing see page	163	163	

7/8" female, with PE



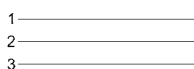
PIN 1: green/yellow
PIN 2: brown
PIN 3: blue



7/8" female, no PE



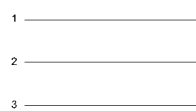
PIN 1: green
PIN 2: black
PIN 3: white



7/8" male, no PE



PIN 1: green
PIN 2: black
PIN 3: white



7/8" female/7/8" male, with PE



PIN 1: green/yellow
PIN 2: brown
PIN 3: blue





BCC A323 ...	BCC A323 ...	BCC A313-A313 ...
7/8" female	7/8" male	7/8" female/ 7/8" male
angled	angled	straight/straight
300 V AC/DC	300 V AC/DC	300 V AC/DC
13 A	13 A	13 A
IP67, IP68	IP67, IP68	IP67, IP68
BCC A323-0000-10-097-PX03A5①-_-_-②	-	BCC A313-A313-30-365-PX03A5①-_-_-②
BCC A323-0000-10-071-VX43W6①-_-_-②	BCC A323-0000-20-071-VX43W6①-_-_-②	-
CE, UL, EAC	CE, UL, EAC	CE, UL, EAC
163	163	163

①	Material	Color	Number of conductors x conductor cross-section	Cable temperature fixed in place	Cable temperature flexed
UNSHIELDED					
PX03A5	PUR	Black	3 x 1.5 mm ²	-40...+80 °C	-20...+80 °C
VX43W6	PVC	Yellow	3 x AWG16	-40...+105 °C	-

②	Cable length
CONNECTION CABLE	
020	2 m
050	5 m
100	10 m
CABLE	
006	0.6 m
020	2 m
050	5 m
100	10 m

Other cable lengths on request!

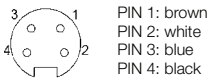
AVAILABLE AS BULK CABLE

	Order code	Part number	Cable length
VX43W6	BCC0AEF	BCC 0000-0000-00-071-VX43W6-10X	100 m



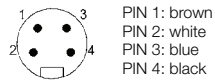
	BCC A314...	
Connection	7/8" female	
Version	straight	
Rated voltage	300 V AC/DC	
Rated current	10 A	
Degree of protection	IP67, IP68	
unshielded	BCC A314-0000-10-003-_____①-____②	
Approval/Conformity	CE, UL, EAC	
For drawing see page	163	

7/8" female



- 1 _____
- 2 _____
- 3 _____
- 4 _____

7/8" male



- 1 _____
- 2 _____
- 3 _____
- 4 _____



BCC A314 ...	BCC A324 ...	BCC A324 ...
7/8" male	7/8" female	7/8" male
straight	angled	angled
300 V AC/DC	300 V AC/DC	300 V AC/DC
10 A	10 A	10 A
IP67, IP68	IP67, IP68	IP67, IP68
BCC A314-0000-20-003-_____①-___②	BCC A324-0000-10-003-_____①-___②	BCC A324-0000-20-003-_____①-___②
CE, UL, EAC	CE, UL, EAC	CE, UL, EAC
163	166	166

①	Material	Color	Number of conductors × conductor cross-section	Cable temperature fixed in place	Cable temperature flexed
UNSHIELDED					
PX04A5	PUR	Black	4 × 1.5 mm ²	-40...+80 °C	-20...+80 °C
VX44W6	PVC	Yellow	4 × AWG16	-40...+105 °C	-
EX44W6	TPE	Yellow	4 × AWG16	-50...+105 °C	-

②	Cable length
CONNECTION CABLE	
020	2 m
050	5 m
100	10 m

Other cable lengths on request!

AVAILABLE AS BULK CABLE

	Order code	Part number	Cable length
PX04A5	BCC0ACF	BCC 0000-0000-00-000-PX04A5-10X	100 m
VX44W6	BCC0AEJ	BCC 0000-0000-00-003-VX44W6-10X	100 m
EX44W6	BCC0APC	BCC 0000-0000-00-003-EX44W6-10X	100 m

Sensors

RFID

Machine Vision and Optical Identification

Human Machine Interfaces

Safety

Industrial Networking

Software and System Solutions

Power Supply

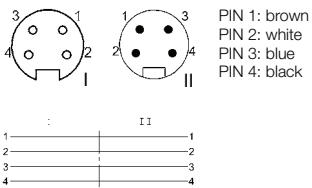
Connectivity

Accessories



		BCC A314-A314...
Connection		7/8" female/ 7/8" male
Version		straight/straight
Rated voltage		300 V AC/DC
Rated current		10 A
Degree of protection		IP67, IP68
unshielded		BCC A314-A314-30-304-____-①-__-②
Approval/Conformity		CE, UL, EAC
For drawing see page		166

7/8" female/7/8" male





BCC A314-A324...	BCC A324-A314 ...	BCC A324-A324 ...
7/8" female/ 7/8" male	7/8" female/ 7/8" male	7/8" female/ 7/8" male
straight/angled	angled/straight	angled/angled
300 V AC/DC	300 V AC/DC	300 V AC/DC
10 A	10 A	10 A
IP67, IP68	IP67, IP68	IP67, IP68
BCC A314-A324-30-304-_____①-__②	BCC A324-A314-30-304-_____①-__②	BCC A324-A324-30-304-_____①-__②
CE, UL, EAC	CE, UL, EAC	CE, UL, EAC
166	166	166

①	Material	Color	Number of conductors x conductor cross-section	Cable temperature fixed in place	Cable temperature flexed
UNSHIELDED					
PX04A5	PUR	Black	4 x 1.5 mm ²	-40...+80 °C	-20...+80 °C
VX44W6	PVC	Yellow	4 x AWG16	-40...+105 °C	-
EX44W6	TPE	Yellow	4 x AWG16	-50...+105 °C	-

②	Cable length
CABLE	
006	0.6 m
020	2 m
050	5 m
100	10 m

Other cable lengths on request!

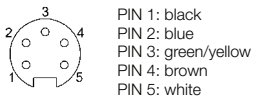
AVAILABLE AS BULK CABLE

	Order code	Part number	Cable length
PX04A5	BCC0ACF	BCC 0000-0000-00-000-PX04A5-10X	100 m
VX44W6	BCC0AEJ	BCC 0000-0000-00-003-VX44W6-10X	100 m
EX44W6	BCC0APC	BCC 0000-0000-00-003-EX44W6-10X	100 m



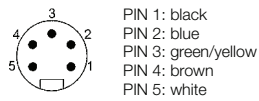
	BCC A315...	
Connection	7/8" female	
Version	straight	
Rated voltage	300 V AC/DC	
Rated current	9 A	
Degree of protection	IP67, IP68	
unshielded	BCC A315-0000-10-063-_____①-____②	
Approval/Conformity	CE, UL, EAC	
For drawing see page	166	

7/8" female



- 1 _____
- 2 _____
- 3 _____
- 4 _____
- 5 _____

7/8" male



- 1 _____
- 2 _____
- 3 _____
- 4 _____
- 5 _____



BCC A315 ...	BCC A325 ...	BCC A325 ...
7/8" male	7/8" female	7/8" male
straight	angled	angled
300 V AC/DC	300 V AC/DC	300 V AC/DC
9 A	9 A	9 A
IP67, IP68	IP67, IP68	IP67, IP68
BCC A315-0000-20-063-_____①-____②	BCC A325-0000-10-063-_____①-____②	BCC A325-0000-20-063-_____①-____②
CE, UL, EAC	CE, UL, EAC	CE, UL, EAC
166	167	167

①	Material	Color	Number of conductors × conductor cross-section	Cable temperature fixed in place	Cable temperature flexed
UNSHIELDED					
PX05A5	PUR	Black	5 × 1.5 mm ²	-40...+80 °C	-20...+80 °C
VX45W6	PVC	Yellow	5 × AWG16	-40...+105 °C	-

②	Cable length
CONNECTION CABLE	
020	2 m
050	5 m
100	10 m

Other cable lengths on request!

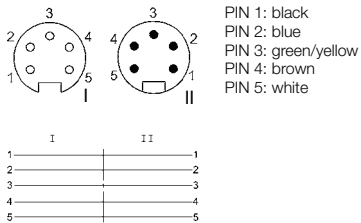
AVAILABLE AS BULK CABLE

	Order code	Part number	Cable length
PX05A5	BCC0ACH	BCC 0000-0000-00-000-PX05A5-10X	100 m
VX45W6	BCC0AEK	BCC 0000-0000-00-036-VX45W6-10X	100 m



		BCC A315-A315...
Connection		7/8" female/ 7/8" male
Version		straight/straight
Rated voltage		300 V AC/DC
Rated current		9 A
Degree of protection		IP67, IP68
unshielded with PE		BCC A315-A315-30-335-____-①-____②
Approval/Conformity		CE, UL, EAC
For drawing see page		167

7/8" female/7/8" male





BCC A315-A325...	BCC A325-A315 ...	BCC A325-A325 ...
7/8" female/ 7/8" male	7/8" female/ 7/8" male	7/8" female/ 7/8" male
straight/angled	angled/straight	angled/angled
300 V AC/DC	300 V AC/DC	300 V AC/DC
9 A	9 A	9 A
IP67, IP68	IP67, IP68	IP67, IP68
BCC A315-A325-30-335-____①-__②	BCC A325-A315-30-335-____①-__②	BCC A325-A325-30-335-____①-__②
CE, UL, EAC	CE, UL, EAC	CE, UL, EAC
167	167	167

①	Material	Color	Number of conductors x conductor cross-section	Cable temperature fixed in place	Cable temperature flexed
UNSHIELDED					
PX05A5	PUR	Black	5 x 1.5 mm ²	-40...+80 °C	-20...+80 °C
VX45W6	PVC	Yellow	5 x AWG16	-40...+105 °C	-

②	Cable length
CABLE	
006	0.6 m
020	2 m
050	5 m
100	10 m

Other cable lengths on request!

AVAILABLE AS BULK CABLE

	Order code	Part number	Cable length
PX05A5	BCC0ACH	BCC 0000-0000-00-000-PX05A5-10X	100 m
VX45W6	BCC0AEK	BCC 0000-0000-00-036-VX45W6-10X	100 m



BCC C3B4 ...	
Connection	7/8" female
Version	straight
Rated voltage	300 V AC/DC
Rated current	10 A
Degree of protection	IP69k
unshielded 4-conductor	BCC C3B4-0000-10-003-YX84A5-_-_-C009
unshielded 5-conductor	
Approval/Conformity	CE, EAC, ECOLAB, WEEE
For drawing see page	167

7/8" female 4-conductor



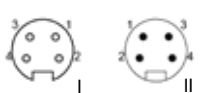
PIN 1: brown
PIN 2: white
PIN 3: blue
PIN 4: black

7/8" female 5-conductor



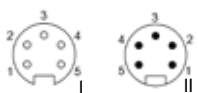
PIN 1: brown
PIN 2: white
PIN 3: blue
PIN 4: black
PIN 5: grün/gelb

7/8" female/7/8" male 4-conductor

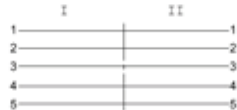
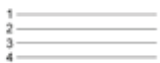


PIN 1: brown
PIN 2: white
PIN 3: blue
PIN 4: black

7/8" female/7/8" male 5-conductor



PIN 1: brown
PIN 2: white
PIN 3: blue
PIN 4: black
PIN 5: grün/gelb





BCC C3B5...	BCC C3B4-C3B4 ...	BCC C3B4-C3B4 ...
7/8" female	7/8" female 7/8" male	7/8" female 7/8" male
straight	straight/straight	straight
300 V AC/DC	300 V AC/DC	300 V AC/DC
9 A	10 A	9 A
IP69k	IP69k	IP69k
	BCC C3B4-C3B4-30-304-YX84A5-__ _①-C009	
BCC C3B5-0000-10-063-YX85A5-__ _①-C009		BCC C3B5-C3B5-30-335-YX85A5-__ _①-C009
CE, EAC, ECOLAB, WEEE	CE, EAC, ECOLAB, WEEE	CE, EAC, ECOLAB, WEEE
167	168	168

	Material	Color	Number of conductors × conductor cross-section	Cable temperature fixed in place	Cable temperature fixed
UNSHIELDED					
YX84A5	TPE-V	grey	4 × 1.5 mm ²	-50...+105 °C	-25...+105 °C
YX85A5	TPE-V	grey	5 × 1.5 mm ²	-50...+105 °C	-25...+105 °C

①	Cable length
CONNECTION CABLE	
020	2 m
050	5 m
010	10 m
015	15 m

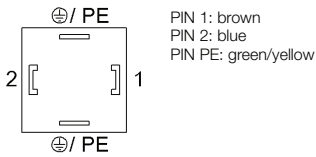
①	Cable length
CONNECTION	
006	0.6 m
020	2 m
050	5 m
100	10 m
150	15 m

Other cable lengths on request!



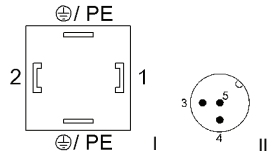
		BCC VA04 ...	
Connection		DIN A, 18 mm, 0°/180°, female	
Version		angled	
Rated voltage	No LED	250 V AC/DC	
	with LED	30 V AC/DC	
Rated current		6 A	
Degree of protection		IP67	
No protection circuit, no LED, 3-conductor		BCC VA04-0000-10-054-____①-____②	
With suppressor diode, with PNP-LED, 3-conductor		BCC VA04-0000-10-053-____①-____②	
No protection circuit, with PNP-LED, 5-conductor		-	
Approval/Conformity		CE, EAC	
For drawing see page		168	

DIN A, 18 mm, 3-conductor



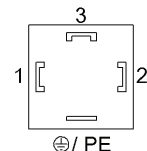
PIN 1: brown
PIN 2: blue
PIN PE: green/yellow

DIN A, 18 mm/M12 male, 3-conductor



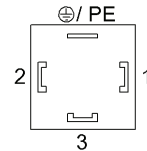
PIN 1: brown
PIN 2: blue
PIN PE: green/yellow
PIN 3: blue
PIN 4: brown
PIN 5: green/yellow

DIN A, 18 mm for pressure switch, 0°, 5-conductor



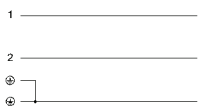
no PIN: blue
PIN 1: brown
PIN 2: white
PIN 3: black
PIN PE: green/yellow

DIN A, 18 mm for pressure switch, 180°, 5-conductor

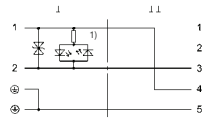


no PIN: blue
PIN 1: brown
PIN 2: white
PIN 3: black
PIN PE: green/yellow

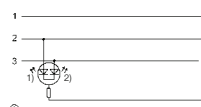
No protection circuit, no LED



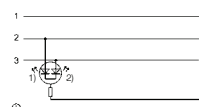
With suppressor diode, with PNP-LED*



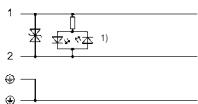
No protection circuit, with PNP-LED*



No protection circuit, with PNP-LED*



With suppressor diode, with PNP-LED*



* 1) LED yellow
2) LED green



BCC VA04-M413 ...	BCC PA04 ...	BCC PA24 ...
DIN A, 18 mm, 0°/180°, female/M12 male, A-coded	DIN A, 18 mm, for pressure switch, 0°, female	DIN A, 18 mm, for pressure switch, 180°, female
angled/straight	angled	angled
–	–	–
30 V AC/DC	30 V AC/DC	30 V AC/DC
6 A	6 A	6 A
IP67/IP67, IP69K	IP67	IP67
–	–	–
BCC VA04-M413-3E-664-__①-__②	–	–
–	BCC PA04-0000-10-070-PX0550①-__②	BCC PA24-0000-10-070-PX0550①-__②
CE, EAC	CE, EAC	CE, EAC
168	170	170

①	Material	Color	Number of conductors × conductor cross-section	Cable temperature fixed in place	Cable temperature flexed
UNSHIELDED					
PX0350	PUR	Black	3 × 0.5 mm ²	–50...+80 °C	–25...+80 °C
VX8350	PVC	Gray	3 × 0.5 mm ²	–40...+105 °C	+5...+105 °C
PX0550	PUR	Black	5 × 0.5 mm ²	–50...+80 °C	–25...+80 °C

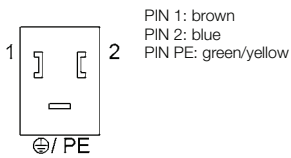
②	Cable length
CONNECTION CABLE	
020	2 m
050	5 m
100	10 m
CABLE	
003	0.3 m
006	0.6 m
010	1 m
015	1.5 m
020	2 m
050	5 m

Other cable lengths on request!

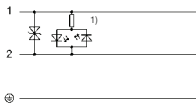


		BCC VB03 ...
Connection		DIN B, 10 mm, 0°, female
Version		angled
Rated voltage		30 V AC/DC
Rated current		4 A
Degree of protection		IP67
With suppressor diode, with PNP-LED		BCC VB03-0000-10-055-____①-____②
Approval/Conformity		CE, EAC
For drawing see page		170

DIN B, 10 mm, 0°

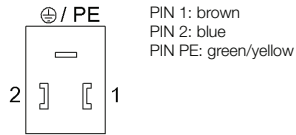


With suppressor diode, with PNP-LED*

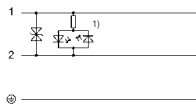


* ¹⁾ LED yellow

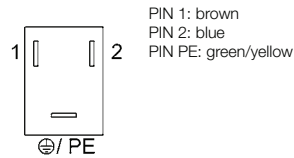
DIN B, 10 mm, 180°



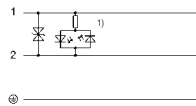
With suppressor diode, with PNP-LED*



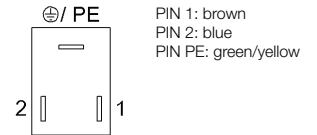
Industry B, 11 mm, 0°



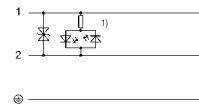
With suppressor diode, with PNP-LED*



Industry B, 11 mm, 180°



With suppressor diode, with PNP-LED*





BCC VB23 ...	BCC VB43 ...	BCC VB63 ...
DIN B, 10 mm, 180°, female	Industry B, 11 mm, 0°, female	Industry B, 11 mm, 180°, female
angled	angled	angled
30 V AC/DC	30 V AC/DC	30 V AC/DC
4 A	4 A	4 A
IP67	IP67	IP67
BCC VB23-0000-10-055-____①-____②	BCC VB43-0000-10-055-____①-____②	BCC VB63-0000-10-055-____①-____②
CE, EAC	CE, EAC	CE, EAC
170	170	170

①	Material	Color	Number of conductors x conductor cross-section	Cable temperature fixed in place	Cable temperature flexed
UNSHIELDED					
PX0350	PUR	Black	3 x 0.5 mm ²	-50...+80 °C	-25...+80 °C
VX8350	PVC	Gray	3 x 0.5 mm ²	-40...+105 °C	+5...+105 °C

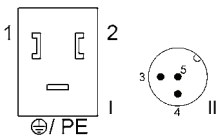
②	Cable length
CONNECTION CABLE	
020	2 m
050	5 m
100	10 m

Other cable lengths on request!



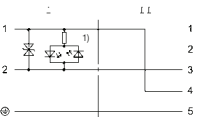
		BCC VB03-M413 ...
Connection		DIN B, 10 mm, 0°, female/M12 male, A-coded
Version		angled/straight
Rated voltage		30 V AC/DC
Rated current		4 A
Degree of protection		IP67
With suppressor diode, with PNP-LED		BCC VB03-M413-3E-666-PX0350-__ _@
Approval/Conformity		CE, EAC
For drawing see page		170

**DIN B, 10 mm, 0°/
M12 male**



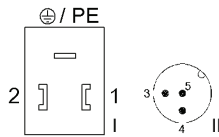
PIN 1: brown PIN 3: blue
 PIN 2: blue PIN 4: brown
 PIN PE: green/
 yellow PIN 5: green/
 yellow

**With suppressor diode,
with PNP-LED***



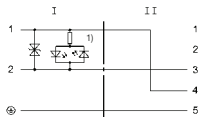
* 1) LED yellow

**DIN B, 10 mm, 180°/
M12 male**

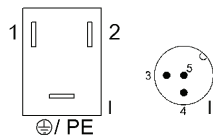


PIN 1: brown PIN 3: blue
 PIN 2: blue PIN 4: brown
 PIN PE: green/
 yellow PIN 5: green/
 yellow

**With suppressor diode,
with PNP-LED***

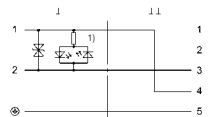


**Industry B, 11 mm, 0°/
M12 male**

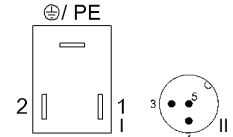


PIN 1: brown PIN 3: blue
 PIN 2: blue PIN 4: brown
 PIN PE: green/
 yellow PIN 5: green/
 yellow

**With suppressor diode,
with PNP-LED***

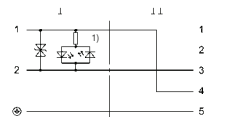


**Industry B, 11 mm, 180°/
M12 male**



PIN 1: brown PIN 3: blue
 PIN 2: blue PIN 4: brown
 PIN PE: green/
 yellow PIN 5: green/
 yellow

**With suppressor diode,
with PNP-LED***





BCC VB23-M413 ...	BCC VB43-M413 ...	BCC VB63-M413 ...
DIN B, 10 mm, 180°, female/M12 male, A-coded	Industry B, 11 mm, 0°, female/M12 male, A-coded	Industry B, 11 mm, 180°, female/M12 male, A-coded
angled/straight	angled/straight	angled/straight
30 V AC/DC	30 V AC/DC	30 V AC/DC
4 A	4 A	4 A
IP67	IP67	IP67
BCC VB23-M413-3E-666-PX0350①-__ _②	BCC VB43-M413-3E-666-PX0350①-__ _②	BCC VB63-M413-3E-666-PX0350①-__ _②
CE, EAC	CE, EAC	CE, EAC
170	171	171

①	Material	Color	Number of conductors × conductor cross-section	Cable temperature fixed in place	Cable temperature flexed
UNSHIELDED					
PX0350	PUR	Black	3 × 0.5 mm ²	-50...+80 °C	-25...+80 °C

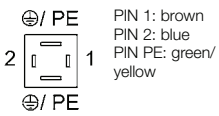
②	Cable length
CABLE	
003	0.3 m
006	0.6 m
010	1 m
015	1.5 m
020	2 m
050	5 m

Other cable lengths on request!



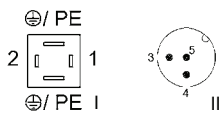
		BCC VC04 ...
Connection		DIN C, 8 mm, 0°/180°, female
Version		angled
Rated voltage		30 V AC/DC
Rated current		4 A
Degree of protection		IP67
With suppressor diode, with PNP-LED		BCC VC04-0000-10-053-____①-____②
Approval/Conformity		CE, EAC
For drawing see page		171

DIN C, 8 mm



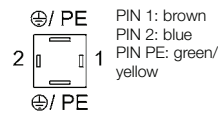
PIN 1: brown
PIN 2: blue
PIN PE: green/
yellow

**DIN C, 8 mm/
M12 male**



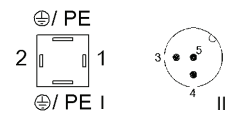
PIN 1: brown PIN 3: blue
PIN 2: blue PIN 4: brown
PIN PE: green/
yellow PIN 5: green/
yellow

Industry C, 9.4 mm



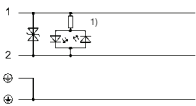
PIN 1: brown
PIN 2: blue
PIN PE: green/
yellow

**Industry C, 9.4 mm/
M12 male**



PIN 1: brown PIN 3: blue
PIN 2: blue PIN 4: brown
PIN PE: green/
yellow PIN 5: green/
yellow

**With suppressor diode,
with PNP-LED***

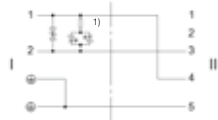


* ¹⁾ LED yellow

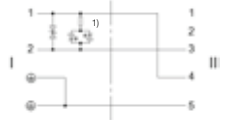
**With suppressor diode,
with PNP-LED***



**With suppressor diode,
with PNP-LED***



**With suppressor diode,
with PNP-LED***





BCC VC04-M413 ...	BCC VC44 ...	BCC VC44-M413 ...
DIN C, 8 mm, 0°/180°, female/M12 male, A-coded	Industry C, 9.4 mm, 0°/180°, female	Industry C, 9.4 mm, 0°/180°, female/M12 male, A-coded
angled/straight	angled	angled/straight
30 V AC/DC	30 V AC/DC	30 V AC/DC
4 A	4 A	4 A
IP67	IP67	IP67
BCC VC04-M413-3E-664-PX0350①-__ _②	BCC VC44-0000-10-053-_____①-__ _②	BCC VC44-M413-3E-664-PX0350①-__ _②
CE, EAC	CE, EAC	CE, EAC
171	171	<?>

①	Material	Color	Number of conductors × conductor cross-section	Cable temperature fixed in place	Cable temperature flexed
UNSHIELDED					
PX0350	PUR	Black	3 × 0.5 mm ²	-50...+80 °C	-25...+80 °C
VX8350	PVC	Gray	3 × 0.5 mm ²	-40...+105 °C	+5...+105 °C

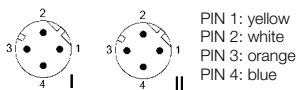
②	Cable length
CONNECTION CABLE	
020	2 m
050	5 m
100	10 m
CABLE	
003	0.3 m
006	0.6 m
010	1 m
015	1.5 m
020	2 m
050	5 m

Other cable lengths on request!



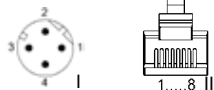
BCC M414-M414...	
Connection	M12 male, D-coded/ M12 male, D-coded
Version	straight/straight
Rated voltage	250 V AC/DC
Rated current	4 A
Degree of protection	IP67, IP68, IP69K/IP67, IP68, IP69K
shielded	BCC M414-M414-6D-331-PS54N2①-__ _ ②
Approval/Conformity	UL, EAC
For drawing see page	171

M12 male/M12 male



PIN 1: yellow
PIN 2: white
PIN 3: orange
PIN 4: blue

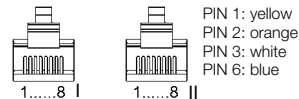
**M12 male/
RJ45 male**



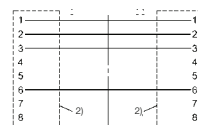
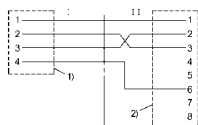
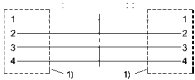
PIN 1: yellow
PIN 2: white
PIN 3: orange
PIN 4: blue

PIN 1: yellow
PIN 2: orange
PIN 3: white
PIN 6: blue

**RJ45 male/
RJ45 male**



PIN 1: yellow
PIN 2: orange
PIN 3: white
PIN 6: blue



1) Shield on cover nut
2) Shield on housing



BCC M414-E834...	BCC E834-E834 ...
M12 male, D-coded/ RJ45, male	RJ45, male/ RJ45, male
straight	straight/straight
125 V AC/DC	125 V AC/DC
1 A	1 A
IP67, IP68, IP69K/IP20	IP20, IP20
BCC M414-E834-8G-668-PS54N2①-__ _ ②	BCC E834-E834-90-334-PS54N2①-__ _ ②
CE, EAC	CE, EAC
171	172

①	Material	Color	Number of conductors × conductor cross-section	Cable temperature fixed in place	Cable temperature flexed
SHIELDED					
PS54N2	PUR	Green	4 × AWG22	-40...+80 °C	-20...+60 °C

②	Cable length
CABLE	
006	0.6 m
020	2 m
050	5 m
100	10 m
150	15 m
200	20 m

Other cable lengths on request!

AVAILABLE AS BULK CABLE

	Order code	Part number	Cable length
PS54N2	BCC0AC6	BCC 0000-0000-00-000-PS54N2-10X	100 m

Sensors

RFID

Machine Vision and
Optical Identification

Human Machine
Interfaces

Safety

Industrial Networking

Software and
System Solutions

Power Supply

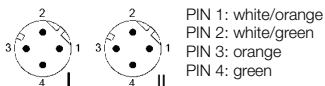
Connectivity

Accessories



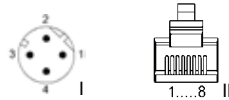
BCC M414-M414...	
Connection	M12 male, D-coded/ M12 male, D-coded
Version	straight/straight
Rated voltage	250 V AC/DC
Rated current	4 A
Degree of protection	IP67, IP68, IP69K/IP67, IP68, IP69K
shielded	BCC M414-M414-6D-338-ES64N9①-__ _ ②
Approval/Conformity	UL, EAC
For drawing see page	171

M12 male/M12 male



PIN 1: white/orange
PIN 2: white/green
PIN 3: orange
PIN 4: green

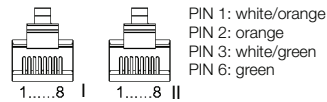
**M12 male/
RJ45 male**



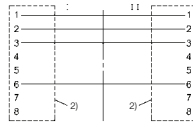
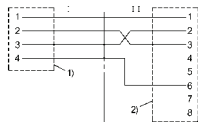
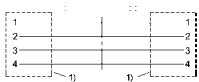
PIN 1: white/orange
PIN 2: white/green
PIN 3: orange
PIN 4: green

PIN 1: white/orange
PIN 2: orange
PIN 3: white/green
PIN 6: green

**RJ45 male/
RJ45 male**



PIN 1: white/orange
PIN 2: orange
PIN 3: white/green
PIN 6: green



¹⁾ Shield on cover nut
²⁾ Shield on housing



BCC M414-E834...	BCC E834-E834 ...
M12 male, D-coded/ RJ45, male	RJ45, male/ RJ45, male
straight/straight	straight/straight
30 V AC/42 V DC	30 V AC/42 V DC
1 A	1 A
IP67, IP68, IP69K/IP20	IP20/IP20
BCC M414-E894-8G-672-ES64N9①-__ _②	BCC E894-E894-90-339-ES64N9①-__ _②
CE, EAC	CE, EAC
172	172

①	Material	Color	Number of conductors × conductor cross-section	Cable temperature fixed in place	Cable temperature flexed
SHIELDED					
ES64N9	TPE	turquoise blue	2 × 2 AWG24	-40...+80 °C	-40...+80 °C

②	Cable length
CABLE	
006	0.6 m
010	1 m
020	2 m
050	5 m
100	10 m
150	15 m
200	20 m

Other cable lengths on request!

AVAILABLE AS BULK CABLE

	Order code	Part number	Cable length
ES64N9	BCC0AUJ	BCC 0000-0000-00-168-ES64N9-10X	100 m

Sensors

RFID

Machine Vision and
Optical Identification

Human Machine
Interfaces

Safety

Industrial Networking

Software and
System Solutions

Power Supply

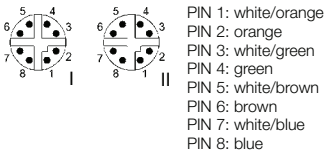
Connectivity

Accessories

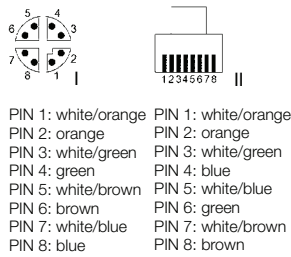


	BCC M418-M418...	
Connection	M12 male, X-coded/ M12 male, X-coded	
Version	straight/straight	
Rated voltage	50 V AC/60 V DC	
Rated current	0.5 A	
Degree of protection	IP67/IP67	
shielded	BCC M418-M418-6X-378-PS58N9①-__ _ ②	
Approval/Conformity	CE, UL, EAC	
For drawing see page	172	

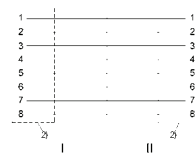
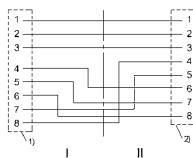
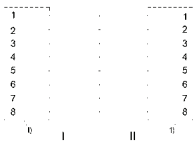
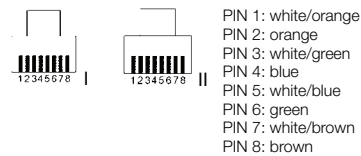
M12 male/M12 male



**M12 male/
RJ45 male**



**RJ45 male/
RJ45 male**



¹⁾ Shield on cover nut
²⁾ Shield on housing



BCC M418-E818...	BCC E818-E818 ...
M12 male, X-coded/ RJ45, male	RJ45, male/ RJ45, male
straight/straight	straight/straight
50 V AC/60 V DC	50 V AC/60 V DC
0.5 A	0.5 A
IP67/IP20	IP20/IP20
BCC M418-E818-8X0-723-PS58N9①-__ _②	BCC E818-E818-90-377-PS58N9①-__ _②
CE, UL, EAC	CE, UL, EAC
172	172

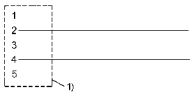
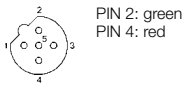
①	Material	Color	Number of conductors × conductor cross-section	Cable temperature fixed in place	Cable temperature flexed
SHIELDED					
PS58N9	PUR	Green	4 × 2 AWG26	-40...+85 °C	-10...+60 °C

②	Cable length
CABLE	
010	1 m
020	2 m
050	5 m
100	10 m

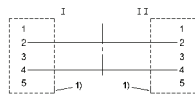
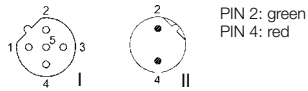
Other cable lengths on request!

Connection	
Version	
Rated voltage	
Rated current	
Degree of protection	
shielded	
Approval/Conformity	
For drawing see page	

M12 female



M12 female/M12 male



¹⁾ Shield on cover nut



BCC M415 ...	BCC M415-M412...
M12 female, B-coded	M12 female, B-coded/ M12 male, B-coded
straight	straight/straight
250 V AC/DC	250 V DC
4 A	4 A
IP67	IP67/IP67
BCC M415-0000-1B-031-PS72N1①-__ _②	BCC M415-M412-3B-329-PS72N1①-__ _②
UL, EAC	UL, EAC
172	173

①	Material	Color	Number of conductors × conductor cross-section	Cable temperature fixed in place	Cable temperature flexed
SHIELDED					
PS72N1	PUR	Violet	2 × AWG24	-40...+70 °C	-20...+60 °C

②	Cable length
CONNECTION CABLE	
003	0.3 m
006	0.6 m
010	1 m
020	2 m
050	5 m
100	10 m
150	15 m
CABLE	
020	2 m
050	5 m
100	10 m

Other cable lengths on request!

AVAILABLE AS BULK CABLE

	Order code	Part number	Cable length
PS72N1	BCC0ACA	BCC 0000-0000-00-000-PS72N1-10X	100 m

Sensors

RFID

Machine Vision and
Optical Identification

Human Machine
Interfaces

Safety

Industrial Networking

Software and
System Solutions

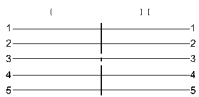
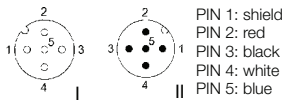
Power Supply

Connectivity

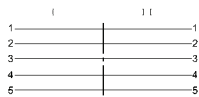
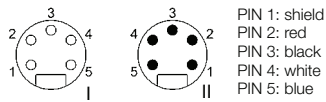
Accessories

Connection	
Version	
Rated voltage	
Rated current	
Degree of protection	
shielded, thick	
shielded, thin	
Approval/Conformity	
For drawing see page	

M12 female/M12 male



7/8" female/7/8" male





BCC M415-M415...	BCC A315-A315...
M12 female, A-coded/ M12 male, A-coded	7/8", female/ 7/8", male
straight/straight	straight/straight
60 V AC/DC	300 V DC
4 A	9 A
IP67, IP68, IP69K/IP67, IP68, IP69K	IP67, IP68/IP67, IP68
-	BCC A315-A315-30-330-____-①-____②
BCC M415-M415-3A-330-____-①-____②	BCC A315-A315-30-330-____-①-____②
CE, UL, EAC	UL, EAC
173	173

①	Material	Color	Number of conductors x conductor cross-section	Cable temperature fixed in place	Cable temperature flexed
SHIELDED, THICK					
PS85N4	PUR	Gray	2 x AWG15 2 x AWG18	-20...+80 °C	-
VS85N4	PVC	Gray	2 x AWG15 2 x AWG18	-40...+80 °C	-
SHIELDED, THIN					
PS85N6	PVC	Gray	2 x AWG22 2 x AWG22	-20...+80 °C	-
VS85N6	PVC	Gray	2 x AWG22 2 x AWG22	-20...+80 °C	-

②	Cable length
CABLE	
006	0.6 m
010	1 m
020	2 m
050	5 m
100	10 m

Other cable lengths on request!

AVAILABLE AS BULK CABLE

	Order code	Part number	Cable length
PS85N4	BCC0AEM	BCC 0000-0000-00-030-PS85N4-10X	100 m
VS85N4	BCC0AEL	BCC 0000-0000-00-030-VS85N4-10X	100 m
PS85N6	BCC0AER	BCC 0000-0000-00-030-PS85N6-10X	100 m
VS85N6	BCC0AEP	BCC 0000-0000-00-030-VS85N6-10X	100 m

Sensors

RFID

Machine Vision and
Optical Identification

Human Machine
Interfaces

Safety

Industrial Networking

Software and
System Solutions

Power Supply

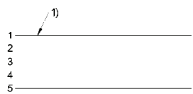
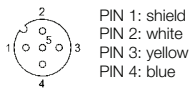
Connectivity

Accessories

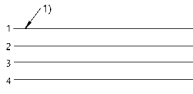
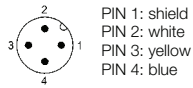


BCC M415 ...	
Connection	M12 female, A-coded
Version	straight
Rated voltage	250 V AC/DC
Rated current	4 A
Degree of protection	IP67, IP68, IP69K
shielded	BCC M415-0000-1A-068-VS24N7①-__ _②
Approval/Conformity	UL, EAC
For drawing see page	173

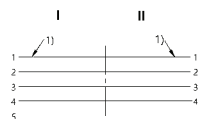
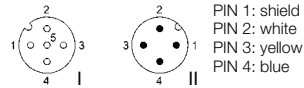
M12 female



M12 male



M12 female/M12 male



¹⁾ Shield on PIN 1



BCC M414 ...	BCC M415-M414 ...
M12 male, A-coded	M12 female, A-coded/ M12 male, A-coded
straight	straight/straight
250 V AC/DC	250 V AC/DC
4 A	4 A
IP67, IP68, IP69K	IP67, IP68, IP69K/IP67, IP68, IP69K
BCC M414-0000-2A-068-VS24N7①-__ _②	BCC M415-M414-3A-337-VS24N7①-__ _②
UL, EAC	UL, EAC
173	173

①	Material	Color	Number of conductors × conductor cross-section	Cable temperature fixed in place	Cable temperature flexed
SHIELDED					
VS24N7	PVC	Red	3 × AWG20	-40...+70 °C	-

②	Cable length
CONNECTION CABLE	
020	2 m
050	5 m
100	10 m
CABLE	
006	0.6 m
020	2 m
050	5 m
100	10 m

Other cable lengths on request!

AVAILABLE AS BULK CABLE

	Order code	Part number	Cable length
VS24N7	BCC0ACE	BCC 0000-0000-00-000-VS24N7-10X	100 m



	BCC M61C ...	
Connection	M23 female, 12-pin	
Version	straight	
Rated voltage	250 V AC/DC	
Rated current	8 A	
Degree of protection	IP67	
unshielded, no LED, 3-conductor	BCC M61C-0000-10-065-PX0BP40-_-_-_-@	
Approval/Conformity	EAC	
For drawing see page	173	

M23 female, 12-pin

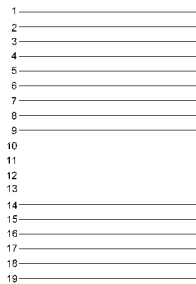
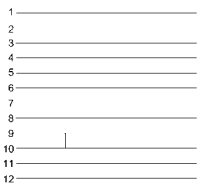


- PIN 1: white
- PIN 2: green
- PIN 3: yellow
- PIN 4: gray
- PIN 5: gray/pink
- PIN 6: red/blue
- PIN 7: white/green
- PIN 8: brown/green
- PIN 9: blue
- PIN 10: blue
- PIN 11: brown
- PIN 12: green/yellow

M23 female, 19-pin



- PIN 1: purple
- PIN 2: red
- PIN 3: gray
- PIN 4: red/blue
- PIN 5: green
- PIN 6: blue
- PIN 7: gray/pink
- PIN 8: white/green
- PIN 9: white/yellow
- PIN 10: white/gray
- PIN 11: black
- PIN 12: green/yellow
- PIN 13: yellow/brown
- PIN 14: brown/green
- PIN 15: white
- PIN 16: yellow
- PIN 17: pink
- PIN 18: gray/brown
- PIN 19: brown





BCC M62C ...	BCC M61L ...	BCC M62L ...
M23 female, 12-pin	M23 female, 19-pin	M23 female, 19-pin
angled	straight	angled
250 V AC/DC	125 V AC/DC	125 V AC/DC
8 A	3 × 10 A/16 × 8 A	3 × 10 A/16 × 8 A
IP67	IP67	IP67
BCC M62C-0000-10-065-PX0BP4①-__ _ ②	BCC M61L-0000-10-022-PX0LP4①-__ _ ②	BCC M62L-0000-10-022-PX0LP4①-__ _ ②
EAC	CE, EAC	CE, EAC
173	174	174

①	Material	Color	Number of conductors × conductor cross-section	Cable temperature fixed in place	Cable temperature flexed
UNSHIELDED					
PX0BP4	PUR	Black	3 × 1.0 mm ² 8 × 0.5 mm ²	-50...+80 °C	-25...+80 °C
PX0LP4	PUR	Black	3 × 1.0 mm ² 16 × 0.5 mm ²	-50...+80 °C	-25...+80 °C

②	Cable length
CONNECTION CABLE	
020	2 m
050	5 m
100	10 m

Other cable lengths on request!



	BCC0069 BKS-S 48-15-CP-02	BCC006A BKS-S 48-15-CP-05	
Connection	M8x1-Female, straight, 3-pole, A-coded	M8x1-Female, straight, 3-pole, A-coded	
Power indicator	—	—	
Function indicator (Pin 2)	—	—	
Function indicator (Pin 3)	—	—	
Function indicator (Pin 4)	—	—	
Suppressor	—	—	
Interface	—	—	
Cable	PUR Shielded black, 2.00 m	PUR Shielded black, 5.00 m	
Number of conductors	2	2	
Cable temperature, fixed routing	-40...70 °C	-40...70 °C	
Cable temperature, flexible routing	5...70 °C	5...70 °C	
Operating voltage U_b	36 VDC / 30 VAC	36 VDC / 30 VAC	
Rated current (40 °C)	3.0 A	3.0 A	
Protection degree	IP67	IP67	
Approval/Conformity	CE, EAC	CE, EAC	
Productview	Page 168	Page 168	



BCC006C BKS-S 48-15-CP-10	BCC0098 BKS-S137-19-PC-02	BCC0099 BKS-S137-19-PC-05	BCC009A BKS-S137-19-PC-10
M8x1-Female, straight, 3-pole, A-coded	M12x1-Female, straight, 5-pole, A-coded	M12x1-Female, straight, 5-pole, A-coded	M12x1-Female, straight, 5-pole, A-coded
—	—	—	—
—	—	—	—
—	—	—	—
—	—	—	—
—	—	—	—
PUR Shielded black, 10.00 m	PUR Shielded black, 2.00 m, Drag chain compatible	PUR Shielded black, 5.00 m, Drag chain compatible	PUR Shielded black, 10.00 m, Drag chain compatible
2	5	5	5
-40...70 °C	-50...80 °C	-50...80 °C	-50...80 °C
5...70 °C	-25...80 °C	-25...80 °C	-25...80 °C
36 VDC / 30 VAC	36 VDC / 30 VAC	36 VDC / 30 VAC	36 VDC / 30 VAC
3.0 A	4.0 A	4.0 A	4.0 A
IP67	IP68	IP68	IP68
CE, EAC	CE, EAC	CE, EAC	CE, EAC
Page 168	Page 168	Page 168	Page 168

Sensors

RFID

Machine Vision and Optical Identification

Human Machine Interfaces

Safety

Industrial Networking

Software and System Solutions

Power Supply

Connectivity

Accessories



	BCC00TU BKS-S 32M-02	BCC00TY BKS-S 32M-05	
Connection	M16x0.75-Female, straight, 8-pole	M16x0.75-Female, straight, 8-pole	
Power indicator	—	—	
Function indicator (Pin 2)	—	—	
Function indicator (Pin 3)	—	—	
Function indicator (Pin 4)	—	—	
Suppressor	—	—	
Interface	—	—	
Cable	PUR Shielded black, 2.00 m, Drag chain compatible	PUR Shielded black, 5.00 m, Drag chain compatible	
Number of conductors	8	8	
Cable temperature, fixed routing	-50...80 °C	-50...80 °C	
Cable temperature, flexible routing	-25...80 °C	-25...80 °C	
Operating voltage U_b	60 VDC / 60 VAC	60 VDC / 60 VAC	
Rated current (40 °C)	5.0 A	5.0 A	
Protection degree	IP67	IP67	
Approval/Conformity	CE, EAC	CE, EAC	
Productview	Page 168	Page 168	



BCC00TZ BKS-S 32M-10			
M16x0.75-Female, straight, 8-pole			
—			
—			
—			
—			
—			
—			
PUR Shielded black, 10.00 m, Drag chain compatible			
8			
-50...80 °C			
-25...80 °C			
60 VDC / 60 VAC			
5.0 A			
IP67			
CE, EAC			
Page 168			

Sensors

RFID

Machine Vision and
Optical Identification

Human Machine
Interfaces

Safety

Industrial Networking

Software and
System Solutions

Power Supply

Connectivity

Accessories



	BCC00UR BKS-S 33M-02	BCC00UU BKS-S 33M-05	
Connection	M16x0.75-Female, angled, 8-pole	M16x0.75-Female, angled, 8-pole	
Power indicator	—	—	
Function indicator (Pin 2)	—	—	
Function indicator (Pin 3)	—	—	
Function indicator (Pin 4)	—	—	
Suppressor	—	—	
Interface	—	—	
Cable	PUR Shielded black, 2.00 m, Drag chain compatible	PUR Shielded black, 5.00 m, Drag chain compatible	
Number of conductors	8	8	
Cable temperature, fixed routing	-50...80 °C	-50...80 °C	
Cable temperature, flexible routing	-25...80 °C	-25...80 °C	
Operating voltage U _b	60 VDC / 60 VAC	60 VDC / 60 VAC	
Rated current (40 °C)	5.0 A	5.0 A	
Protection degree	IP67	IP67	
Approval/Conformity	CE, EAC	CE, EAC	
Productview	Page 168	Page 168	



	BCC00UW BKS-S 33M-10	BCC00YE BKS-S115-PU-02	BCC00YF BKS-S115-PU-05	BCC00YH BKS-S115-PU-10
	M16x0.75-Female, angled, 8-pole	M12x1-Female, straight, 8-pole, A-coded	M12x1-Female, straight, 8-pole, A-coded	M12x1-Female, straight, 8-pole, A-coded
	—	—	—	—
	—	—	—	—
	—	—	—	—
	—	—	—	—
	—	—	—	—
	PUR Shielded black, 10.00 m, Drag chain compatible	PUR Shielded black, 2.00 m, Drag chain compatible	PUR Shielded black, 5.00 m, Drag chain compatible	PUR Shielded black, 10.00 m, Drag chain compatible
	8	8	8	8
	-50...80 °C	-50...80 °C	-50...80 °C	-50...80 °C
	-25...80 °C	-25...80 °C	-25...80 °C	-25...80 °C
	60 VDC / 60 VAC	36 VDC / 30 VAC	36 VDC / 30 VAC	36 VDC / 30 VAC
	5.0 A	2.0 A	2.0 A	2.0 A
	IP67	IP68	IP68	IP68
	CE, EAC	CE, EAC	CE, EAC	CE, EAC
	Page 168	Page 168	Page 168	Page 168

Sensors

RFID

Machine Vision and Optical Identification

Human Machine Interfaces

Safety

Industrial Networking

Software and System Solutions

Power Supply

Connectivity

Accessories



	BCCOF4J BCC HB75-0000-PA-121-VX85B5-020	BCCOF4K BCC HB75-0000-PA-121-VX85B5-050	
Connection	Push-Pull Power-Female, straight, 5-pole	Push-Pull Power-Female, straight, 5-pole	
Power indicator	—	—	
Function indicator (Pin 2)	—	—	
Function indicator (Pin 3)	—	—	
Function indicator (Pin 4)	—	—	
Suppressor	—	—	
Interface	—	—	
Cable	PVC gray, 2.00 m	PVC gray, 5.00 m	
Number of conductors	5	5	
Cable temperature, fixed routing	-40...70 °C	-40...70 °C	
Cable temperature, flexible routing	-5...70 °C	-5...70 °C	
Operating voltage U _b	24 VDC	24 VDC	
Rated current (40 °C)	16.0 A	16.0 A	
Protection degree	IP67	IP67	
Approval/Conformity	CE, EAC	CE, EAC	
Productview	Page 168	Page 168	



	BCCOF4L BCC HB75-0000-PA-121-VX85B5-100	BCCOKL6 BCC Z032-0000-10-148-VS0CT4-050	BCCOKL7 BCC Z032-0000-10-148-VS0CT4-100	BCCOKL8 BCC Z032-0000-10-148-VS0CT4-200
	Push-Pull Power-Female, straight, 5-pole	Special connector-Female, straight, 12-pole	Special connector-Female, straight, 12-pole	Special connector-Female, straight, 12-pole
	—	—	—	—
	—	—	—	—
	—	—	—	—
	—	—	—	—
	—	—	—	—
	PVC gray, 10.00 m	PVC Shielded black, 5.00 m	PVC Shielded black, 10.00 m	PVC Shielded black, 20.00 m
	5	12	12	12
	-40...70 °C	-30...80 °C	-30...80 °C	-30...80 °C
	-5...70 °C	-15...80 °C	-15...80 °C	-15...80 °C
	24 VDC	140 VDC / 100 VAC	140 VDC / 100 VAC	140 VDC / 100 VAC
	16.0 A	2.0 A	2.0 A	2.0 A
	IP67	IP50	IP50	IP50
	CE, EAC	EAC, CE	EAC, CE	EAC, CE
	Page 168	Page 168	Page 168	Page 168



	BAM01HL BIS U-500-EF-01	BAM01HM BIS U-500-EF-02	
Connection 1	R-TNC connector 7/16"-28 UN-EF-Female, straight, 1-pin	R-TNC connector 7/16"-28 UN-EF-Female, straight, 1-pin	
Connection 2	R-TNC connector 7/16"-28 UN-EF-Male, straight	R-TNC connector 7/16"-28 UN-EF-Male, straight	
Power indicator	—	—	
Function indicator (Pin 2)	—	—	
Function indicator (Pin 3)	—	—	
Function indicator (Pin 4)	—	—	
Suppressor	—	—	
Interface	—	—	
Cable	FRPE Shielded black, 1.00 m	FRPE Shielded black, 2.00 m	
Number of conductors	1	1	
Cable temperature, fixed routing	-40...85 °C	-40...85 °C	
Cable temperature, flexible routing	—	—	
Operating voltage U_b	—	—	
Rated current (40 °C)	—	—	
cal_protection_type_iec_60529	IP68	IP68	
Approval/Conformity	CE, CSA, cURus, EAC, WEEE	CE, CSA, cURus, EAC, WEEE	
Productview	Page 170	Page 170	



	BAM01YR BIS U-500-EF-03	BAM01HN BIS U-500-EF-05	BAM01HP BIS U-500-EF-10	BAM01WN BIS U-500-EF-15
	R-TNC connector 7/16"-28 UN-EF-Female, straight, 1-pin	R-TNC connector 7/16"-28 UN-EF-Female, straight, 1-pin	R-TNC connector 7/16"-28 UN-EF-Female, straight, 1-pin	R-TNC connector 7/16"-28 UN-EF-Female, straight, 1-pin
	R-TNC connector 7/16"-28 UN-EF-Male, straight	R-TNC connector 7/16"-28 UN-EF-Male, straight	R-TNC connector 7/16"-28 UN-EF-Male, straight	R-TNC connector 7/16"-28 UN-EF-Male, straight
	—	—	—	—
	—	—	—	—
	—	—	—	—
	—	—	—	—
	—	—	—	—
	FRPE Shielded black	FRPE Shielded black, 5.00 m	FRPE Shielded black, 10.00 m	FRPE Shielded black
	1	1	1	1
	-40...85 °C	-40...85 °C	-40...85 °C	-40...85 °C
	—	—	—	—
	—	—	—	—
	—	—	—	—
	IP68	IP68	IP68	IP68
	CE, CSA, cURus, EAC, WEEE	CE, CSA, cURus, EAC, WEEE	CE, CSA, cURus, EAC, WEEE	CE, CSA, cURus, EAC, WEEE
	Page 170	Page 170	Page 170	Page 170

Sensors

RFID

Machine Vision and Optical Identification

Human Machine Interfaces

Safety

Industrial Networking

Software and System Solutions

Power Supply

Connectivity

Accessories



	BAM01WP BIS U-500-EF-20	BCC0L2Y BCC M415-M415-3L-386-PX85A5-006	
Connection 1	R-TNC connector 7/16"-28 UN-EF-Female, straight, 1-pin	M12x1-Female, straight, 5-pin, L-coded	
Connection 2	R-TNC connector 7/16"-28 UN-EF-Male, straight	M12x1-Male, straight, 5-pin, L-coded	
Power indicator	—	—	
Function indicator (Pin 2)	—	—	
Function indicator (Pin 3)	—	—	
Function indicator (Pin 4)	—	—	
Suppressor	—	—	
Interface	—	—	
Cable	FRPE Shielded black	PUR gray, 0.60 m, Drag chain compatible	
Number of conductors	1	5	
Cable temperature, fixed routing	-40...85 °C	-40...90 °C	
Cable temperature, flexible routing	—	-20...80 °C	
Operating voltage Ub	—	60 VDC / 50 VAC	
Rated current (40 °C)	—	16.0 A	
cal_protection_type_iec_60529	IP68	IP65, IP67, IP69K/IP65, IP67, IP69K	
Approval/Conformity	CE, CSA, cURus, EAC, WEEE	CE, EAC, WEEE	
Productview	Page 170	Page 170	



	BCCOL27 BCC M415-M415-3L-386-PX85A5-020	BCCOL30 BCC M415-M415-3L-386-PX85A5-050	BCCOL31 BCC M415-M415-3L-386-PX85A5-100	BCCOL32 BCC M415-M415-3L-386-PX85A5-150
	M12x1-Female, straight, 5-pin, L-coded	M12x1-Female, straight, 5-pin, L-coded	M12x1-Female, straight, 5-pin, L-coded	M12x1-Female, straight, 5-pin, L-coded
	M12x1-Male, straight, 5-pin, L-coded	M12x1-Male, straight, 5-pin, L-coded	M12x1-Male, straight, 5-pin, L-coded	M12x1-Male, straight, 5-pin, L-coded
	—	—	—	—
	—	—	—	—
	—	—	—	—
	—	—	—	—
	—	—	—	—
	PUR gray, 2.00 m, Drag chain compatible	PUR gray, 5.00 m, Drag chain compatible	PUR gray, 10.00 m, Drag chain compatible	PUR gray, 15.00 m, Drag chain compatible
	5	5	5	5
	-40...90 °C	-40...90 °C	-40...90 °C	-40...90 °C
	-20...80 °C	-20...80 °C	-20...80 °C	-20...80 °C
	60 VDC / 50 VAC	60 VDC / 50 VAC	60 VDC / 50 VAC	60 VDC / 50 VAC
	16.0 A	16.0 A	16.0 A	16.0 A
	IP65, IP67, IP69K/IP65, IP67, IP69K	IP65, IP67, IP69K/IP65, IP67, IP69K	IP65, IP67, IP69K/IP65, IP67, IP69K	IP65, IP67, IP69K/IP65, IP67, IP69K
	CE, EAC, WEEE	CE, EAC, WEEE	CE, EAC, WEEE	CE, EAC, WEEE
	Page 170	Page 170	Page 170	Page 170

Sensors

RFID

Machine Vision and Optical Identification

Human Machine Interfaces

Safety

Industrial Networking

Software and System Solutions

Power Supply

Connectivity

Accessories



	BCCOL3H BCC M415-M425-3L-386-PX85A5-006	BCCOL3J BCC M415-M425-3L-386-PX85A5-020	
Connection 1	M12x1-Female, straight, 5-pin, L-coded	M12x1-Female, straight, 5-pin, L-coded	
Connection 2	M12x1-Male, angled, 5-pin, L-coded	M12x1-Male, angled, 5-pin, L-coded	
Power indicator	—	—	
Function indicator (Pin 2)	—	—	
Function indicator (Pin 3)	—	—	
Function indicator (Pin 4)	—	—	
Suppressor	—	—	
Interface	—	—	
Cable	PUR gray, 0.60 m, Drag chain compatible	PUR gray, 2.00 m, Drag chain compatible	
Number of conductors	5	5	
Cable temperature, fixed routing	-40...90 °C	-40...90 °C	
Cable temperature, flexible routing	-20...80 °C	-20...80 °C	
Operating voltage U _b	60 VDC / 50 VAC	60 VDC / 50 VAC	
Rated current (40 °C)	16.0 A	16.0 A	
cal_protection_type_iec_60529	IP65, IP67, IP69K/IP65, IP67, IP69K	IP65, IP67, IP69K/IP65, IP67, IP69K	
Approval/Conformity	CE, EAC, WEEE	CE, EAC, WEEE	
Productview	Page 170	Page 170	



	BCCOL3K BCC M415-M425-3L-386-PX85A5-050	BCCOL3L BCC M415-M425-3L-386-PX85A5-100	BCCOL3M BCC M415-M425-3L-386-PX85A5-150	BCCOL3N BCC M425-M415-3L-386-PX85A5-006
	M12x1-Female, straight, 5-pin, L-coded	M12x1-Female, straight, 5-pin, L-coded	M12x1-Female, straight, 5-pin, L-coded	M12x1-Female, angled, 5-pin, L-coded
	M12x1-Male, angled, 5-pin, L-coded	M12x1-Male, angled, 5-pin, L-coded	M12x1-Male, angled, 5-pin, L-coded	M12x1-Male, straight, 5-pin, L-coded
	—	—	—	—
	—	—	—	—
	—	—	—	—
	—	—	—	—
	—	—	—	—
	PUR gray, 5.00 m, Drag chain compatible	PUR gray, 10.00 m, Drag chain compatible	PUR gray, 15.00 m, Drag chain compatible	PUR gray, 0.60 m, Drag chain compatible
	5	5	5	5
	-40...90 °C	-40...90 °C	-40...90 °C	-40...90 °C
	-20...80 °C	-20...80 °C	-20...80 °C	-20...80 °C
	60 VDC / 50 VAC	60 VDC / 50 VAC	60 VDC / 50 VAC	60 VDC / 50 VAC
	16.0 A	16.0 A	16.0 A	16.0 A
	IP65, IP67, IP69K/IP65, IP67, IP69K	IP65, IP67, IP69K/IP65, IP67, IP69K	IP65, IP67, IP69K/IP65, IP67, IP69K	IP65, IP67, IP69K/IP65, IP67, IP69K
	CE, EAC, WEEE	CE, EAC, WEEE	CE, EAC, WEEE	CE, EAC, WEEE
	Page 170	Page 170	Page 170	Page 170

Sensors

RFID

Machine Vision and Optical Identification

Human Machine Interfaces

Safety

Industrial Networking

Software and System Solutions

Power Supply

Connectivity

Accessories



	BCCOL3P BCC M425-M415-3L-386-PX85A5-020	BCCOL3R BCC M425-M415-3L-386-PX85A5-050	
Connection 1	M12x1-Female, angled, 5-pin, L-coded	M12x1-Female, angled, 5-pin, L-coded	
Connection 2	M12x1-Male, straight, 5-pin, L-coded	M12x1-Male, straight, 5-pin, L-coded	
Power indicator	—	—	
Function indicator (Pin 2)	—	—	
Function indicator (Pin 3)	—	—	
Function indicator (Pin 4)	—	—	
Suppressor	—	—	
Interface	—	—	
Cable	PUR gray, 2.00 m, Drag chain compatible	PUR gray, 5.00 m, Drag chain compatible	
Number of conductors	5	5	
Cable temperature, fixed routing	-40...90 °C	-40...90 °C	
Cable temperature, flexible routing	-20...80 °C	-20...80 °C	
Operating voltage Ub	60 VDC / 50 VAC	60 VDC / 50 VAC	
Rated current (40 °C)	16.0 A	16.0 A	
cal_protection_type_iec_60529	IP65, IP67, IP69K/IP65, IP67, IP69K	IP65, IP67, IP69K/IP65, IP67, IP69K	
Approval/Conformity	CE, EAC, WEEE	CE, EAC, WEEE	
Productview	Page 170	Page 170	



	BCCOL3T BCC M425-M415-3L-386-PX85A5-100	BCCOL3U BCC M425-M415-3L-386-PX85A5-150	BCCOL33 BCC M425-M425-3L-386-PX85A5-006	BCCOL34 BCC M425-M425-3L-386-PX85A5-020
	M12x1-Female, angled, 5-pin, L-coded	M12x1-Female, angled, 5-pin, L-coded	M12x1-Female, angled, 5-pin, L-coded	M12x1-Female, angled, 5-pin, L-coded
	M12x1-Male, straight, 5-pin, L-coded	M12x1-Male, straight, 5-pin, L-coded	M12x1-Male, angled, 5-pin, L-coded	M12x1-Male, angled, 5-pin, L-coded
	—	—	—	—
	—	—	—	—
	—	—	—	—
	—	—	—	—
	—	—	—	—
	PUR gray, 10.00 m, Drag chain compatible	PUR gray, 15.00 m, Drag chain compatible	PUR gray, 0.60 m, Drag chain compatible	PUR gray, 2.00 m, Drag chain compatible
	5	5	5	5
	-40...90 °C	-40...90 °C	-40...90 °C	-40...90 °C
	-20...80 °C	-20...80 °C	-20...80 °C	-20...80 °C
	60 VDC / 50 VAC	60 VDC / 50 VAC	60 VDC / 50 VAC	60 VDC / 50 VAC
	16.0 A	16.0 A	16.0 A	16.0 A
	IP65, IP67, IP69K/IP65, IP67, IP69K	IP65, IP67, IP69K/IP65, IP67, IP69K	IP65, IP67, IP69K/IP65, IP67, IP69K	IP65, IP67, IP69K/IP65, IP67, IP69K
	CE, EAC, WEEE	CE, EAC, WEEE	CE, EAC, WEEE	CE, EAC, WEEE
	Page 170	Page 170	Page 170	Page 170

Sensors

RFID

Machine Vision and Optical Identification

Human Machine Interfaces

Safety

Industrial Networking

Software and System Solutions

Power Supply

Connectivity

Accessories



	BCCOL35 BCC M425-M425-3L-386-PX85A5-050	BCCOL36 BCC M425-M425-3L-386-PX85A5-100	
Connection 1	M12x1-Female, angled, 5-pin, L-coded	M12x1-Female, angled, 5-pin, L-coded	
Connection 2	M12x1-Male, angled, 5-pin, L-coded	M12x1-Male, angled, 5-pin, L-coded	
Power indicator	—	—	
Function indicator (Pin 2)	—	—	
Function indicator (Pin 3)	—	—	
Function indicator (Pin 4)	—	—	
Suppressor	—	—	
Interface	—	—	
Cable	PUR gray, 5.00 m, Drag chain compatible	PUR gray, 10.00 m, Drag chain compatible	
Number of conductors	5	5	
Cable temperature, fixed routing	-40...90 °C	-40...90 °C	
Cable temperature, flexible routing	-20...80 °C	-20...80 °C	
Operating voltage Ub	60 VDC / 50 VAC	60 VDC / 50 VAC	
Rated current (40 °C)	16.0 A	16.0 A	
cal_protection_type_iec_60529	IP65, IP67, IP69K/IP65, IP67, IP69K	IP65, IP67, IP69K/IP65, IP67, IP69K	
Approval/Conformity	CE, EAC, WEEE	CE, EAC, WEEE	
Productview	Page 170	Page 170	



	BCCOL37 BCC M425-M425-3L-386-PX85A5-150	BCC00R8 BIS Z-501-PU1-02/M	BCC00R9 BIS Z-501-PU1-05/E	BCC00RA BIS Z-501-PU1-05/M
	M12x1-Female, angled, 5-pin, L-coded	M12x1-Female, straight, 8-pin, A-coded	M12x1-Female, straight, 8-pin, A-coded	M12x1-Female, straight, 8-pin, A-coded
	M12x1-Male, angled, 5-pin, L-coded	M12x1-Male, straight, 8-pin, A-coded	M12x1-Male, straight, 8-pin, A-coded	M12x1-Male, straight, 8-pin, A-coded
	—	—	—	—
	—	—	—	—
	—	—	—	—
	—	—	—	—
	—	—	—	—
	PUR gray, 15.00 m, Drag chain compatible	PUR Shielded black, 2.00 m, Drag chain compatible	PUR Shielded black, 5.00 m, Drag chain compatible	PUR Shielded black, 5.00 m, Drag chain compatible
	5	8	8	8
	-40...90 °C	-50...80 °C	-50...80 °C	-50...80 °C
	-20...80 °C	-25...80 °C	-25...80 °C	-25...80 °C
	60 VDC / 50 VAC	30 VDC / 30 VAC	30 VDC / 30 VAC	30 VDC / 30 VAC
	16.0 A	2.0 A	2.0 A	2.0 A
	IP65, IP67, IP69K/IP65, IP67, IP69K	IP67/IP67	IP67/IP67	IP67/IP67
	CE, EAC, WEEE	CE, EAC, WEEE	CE, EAC, WEEE	CE, EAC, WEEE
	Page 170	Page 170	Page 170	Page 170

Sensors

RFID

Machine Vision and Optical Identification

Human Machine Interfaces

Safety

Industrial Networking

Software and System Solutions

Power Supply

Connectivity

Accessories



	BCC00RC BIS Z-501-PU1-10/E	BCC088T BCC M62C-M41C-3E-675-PX0C25-010	
Connection 1	M12x1-Female, straight, 8-pin, A-coded	M23x1-Female, angled, 12-pin	
Connection 2	M12x1-Male, straight, 8-pin, A-coded	M12x1-Male, straight, 12-pin, A-coded	
Power indicator	—	—	
Function indicator (Pin 2)	—	—	
Function indicator (Pin 3)	—	—	
Function indicator (Pin 4)	—	—	
Suppressor	—	—	
Interface	—	—	
Cable	PUR Shielded black, 10.00 m, Drag chain compatible	PUR black, 1.00 m, Drag chain compatible	
Number of conductors	8	12	
Cable temperature, fixed routing	-50...80 °C	-50...80 °C	
Cable temperature, flexible routing	-25...80 °C	-25...80 °C	
Operating voltage Ub	30 VDC / 30 VAC	30 VDC / 30 VAC	
Rated current (40 °C)	2.0 A	1.5 A	
cal_protection_type_iec_60529	IP67/IP67	IP67/IP68	
Approval/Conformity	CE, EAC, WEEE	CE, EAC, WEEE	
Productview	Page 170	Page 170	



	BCC088U BCC M62C-M41C-3E-675-PX0C25-020	BCCOLUK BCC M414-M415-3L-304-PX04A5-006	BCCOLUL BCC M414-M415-3L-304-PX04A5-020	BCCOLUM BCC M414-M415-3L-304-PX04A5-050
	M23x1-Female, angled, 12-pin	M12x1-Female, Straight, 4-pin, L-coded	M12x1-Female, Straight, 4-pin, L-coded	M12x1-Female, Straight, 4-pin, L-coded
	M12x1-Male, straight, 12-pin, A-coded	M12x1-Male, Straight, 5-pin, L-coded	M12x1-Male, Straight, 5-pin, L-coded	M12x1-Male, Straight, 5-pin, L-coded
	—	—	—	—
	—	—	—	—
	—	—	—	—
	—	—	—	—
	—	—	—	—
	PUR black, 2.00 m, Drag chain compatible	PUR black, 0.6 m, Drag chain compatible	PUR black, 2 m, Drag chain compatible	PUR black, 5 m, Drag chain compatible
	12	4	4	4
	-50...80 °C	-50...80 °C	-50...80 °C	-50...80 °C
	-25...80 °C	-30...80 °C	-30...80 °C	-30...80 °C
	30 VDC / 30 VAC	60 VDC / 50 VAC	60 VDC / 50 VAC	60 VDC / 50 VAC
	1.5 A	16.0 A	16.0 A	16.0 A
	IP67/IP68	IP65, IP67, IP69K/IP65, IP67, IP69K	IP65, IP67, IP69K/IP65, IP67, IP69K	IP65, IP67, IP69K/IP65, IP67, IP69K
	CE, EAC, WEEE	CE, EAC, WEEE	CE, EAC, WEEE	CE, EAC, WEEE
	Page 170	Page 171	Page 171	Page 171

Sensors

RFID

Machine Vision and Optical Identification

Human Machine Interfaces

Safety

Industrial Networking

Software and System Solutions

Power Supply

Connectivity

Accessories



	BCCOLUN BCC M414-M415-3L-304-PX04A5-100	BCCOLUP BCC M414-M415-3L-304-PX04A5-150	
Connection 1	M12x1-Female, Straight, 4-pin, L-coded	M12x1-Female, Straight, 4-pin, L-coded	
Connection 2	M12x1-Male, Straight, 5-pin, L-coded	M12x1-Male, Straight, 5-pin, L-coded	
Power indicator	—	—	
Function indicator (Pin 2)	—	—	
Function indicator (Pin 3)	—	—	
Function indicator (Pin 4)	—	—	
Suppressor	—	—	
Interface	—	—	
Cable	PUR black, 10 m, Drag chain compatible	PUR black, 15 m, Drag chain compatible	
Number of conductors	4	4	
Cable temperature, fixed routing	-50...80 °C	-50...80 °C	
Cable temperature, flexible routing	-30...80 °C	-30...80 °C	
Operating voltage U _b	60 VDC / 50 VAC	60 VDC / 50 VAC	
Rated current (40 °C)	16.0 A	16.0 A	
cal_protection_type_iec_60529	IP65, IP67, IP69K/IP65, IP67, IP69K	IP65, IP67, IP69K/IP65, IP67, IP69K	
Approval/Conformity	CE, EAC, WEEE	CE, EAC, WEEE	
Productview	Page 171	Page 171	



	BCCOLW0 BCC M424-M425-3L-304-PX04A5-006	BCCOLW1 BCC M424-M425-3L-304-PX04A5-020	BCCOLW2 BCC M424-M425-3L-304-PX04A5-050	BCCOLW3 BCC M424-M425-3L-304-PX04A5-100
	M12x1-Female, right-angle, 4-pin, L-coded	M12x1-Female, right-angle, 4-pin, L-coded	M12x1-Female, right-angle, 4-pin, L-coded	M12x1-Female, right-angle, 4-pin, L-coded
	M12x1-Male, right-angle, 5-pin, L-coded	M12x1-Male, right-angle, 5-pin, L-coded	M12x1-Male, right-angle, 5-pin, L-coded	M12x1-Male, right-angle, 5-pin, L-coded
	—	—	—	—
	—	—	—	—
	—	—	—	—
	—	—	—	—
	—	—	—	—
	PUR black, 0.6 m, Drag chain compatible	PUR black, 2 m, Drag chain compatible	PUR black, 5 m, Drag chain compatible	PUR black, 10 m, Drag chain compatible
	4	4	4	4
	-50...80 °C	-50...80 °C	-50...80 °C	-50...80 °C
	-30...80 °C	-30...80 °C	-30...80 °C	-30...80 °C
	60 VDC / 50 VAC	60 VDC / 50 VAC	60 VDC / 50 VAC	60 VDC / 50 VAC
	16.0 A	16.0 A	16.0 A	16.0 A
	IP65, IP67, IP69K/IP65, IP67, IP69K	IP65, IP67, IP69K/IP65, IP67, IP69K	IP65, IP67, IP69K/IP65, IP67, IP69K	IP65, IP67, IP69K/IP65, IP67, IP69K
	CE, EAC, WEEE	CE, EAC, WEEE	CE, EAC, WEEE	CE, EAC, WEEE
	Page 171	Page 171	Page 171	Page 171

Sensors

RFID

Machine Vision and Optical Identification

Human Machine Interfaces

Safety

Industrial Networking

Software and System Solutions

Power Supply

Connectivity

Accessories



	BCC0LW4 BCC M424-M425-3L-304-PX04A5-150	BCC0JRY BCC S4B5-S4B4-3A-304-YX8434-006-C009	
Connection 1	M12x1-Female, right-angle, 4-pin, L-coded	M12x1-Female, straight, 5-pin, A-coded	
Connection 2	M12x1-Male, right-angle, 5-pin, L-coded	M12x1-Male, straight, 4-pin, A-coded	
Power indicator	—	—	
Function indicator (Pin 2)	—	—	
Function indicator (Pin 3)	—	—	
Function indicator (Pin 4)	—	—	
Suppressor	—	—	
Interface	—	—	
Cable	PUR black, 15 m, Drag chain compatible	TPE-V gray, 0.6 m	
Number of conductors	4	4	
Cable temperature, fixed routing	-50...80 °C	-50...105 °C	
Cable temperature, flexible routing	-30...80 °C	-25...105 °C	
Operating voltage Ub	60 VDC / 50 VAC	250 VDC / 250 VAC	
Rated current (40 °C)	16.0 A	4.0 A	
cal_protection_type_iec_60529	IP65, IP67, IP69K/IP65, IP67, IP69K	IP67, IP69K/IP67, IP69K	
Approval/Conformity	CE, EAC, WEEE	FDA compliant, EAC, Ecolab, WEEE	
Productview	Page 171	Page 171	



	BCCOKT3 BCC S4B5-S4B4-3A-304-YX8434-010-C009	BCCOJRZ BCC S4B5-S4B4-3A-304-YX8434-020-C009	BCCOKRM BCC S4B5-S4B4-3A-304-YX8434-030-C009	BCCOJTO BCC S4B5-S4B4-3A-304-YX8434-050-C009
	M12x1-Female, straight, 5-pin, A-coded	M12x1-Female, straight, 5-pin, A-coded	M12x1-Female, straight, 5-pin, A-coded	M12x1-Female, straight, 5-pin, A-coded
	M12x1-Male, straight, 4-pin, A-coded	M12x1-Male, straight, 4-pin, A-coded	M12x1-Male, straight, 4-pin, A-coded	M12x1-Male, straight, 4-pin, A-coded
	—	—	—	—
	—	—	—	—
	—	—	—	—
	—	—	—	—
	—	—	—	—
	TPE-V gray, 1 m	TPE-V gray, 2 m	TPE-V gray, 3 m	TPE-V gray, 5 m
	4	4	4	4
	-50...105 °C	-50...105 °C	-50...105 °C	-50...105 °C
	-25...105 °C	-25...105 °C	-25...105 °C	-25...105 °C
	250 VDC / 250 VAC	250 VDC / 250 VAC	250 VDC / 250 VAC	250 VDC / 250 VAC
	4.0 A	4.0 A	4.0 A	4.0 A
	IP67, IP69K/IP67, IP69K	IP67, IP69K/IP67, IP69K	IP67, IP69K/IP67, IP69K	IP67, IP69K/IP67, IP69K
	FDA compliant, EAC, Ecolab, WEEE	FDA compliant, EAC, Ecolab, WEEE	FDA compliant, EAC, Ecolab, WEEE	FDA compliant, EAC, Ecolab, WEEE
	Page 171	Page 171	Page 171	Page 171

Sensors

RFID

Machine Vision and Optical Identification

Human Machine Interfaces

Safety

Industrial Networking

Software and System Solutions

Power Supply

Connectivity

Accessories



	BCC0JT1 BCC S4B5-S4B4-3A-304-YX8434-100-C009	BCC0JT2 BCC S4B5-S4B4-3A-304-YX8434-150-C009	
Connection 1	M12x1-Female, straight, 5-pin, A-coded	M12x1-Female, straight, 5-pin, A-coded	
Connection 2	M12x1-Male, straight, 4-pin, A-coded	M12x1-Male, straight, 4-pin, A-coded	
Power indicator	—	—	
Function indicator (Pin 2)	—	—	
Function indicator (Pin 3)	—	—	
Function indicator (Pin 4)	—	—	
Suppressor	—	—	
Interface	—	—	
Cable	TPE-V gray, 10 m	TPE-V gray, 15 m	
Number of conductors	4	4	
Cable temperature, fixed routing	-50...105 °C	-50...105 °C	
Cable temperature, flexible routing	-25...105 °C	-25...105 °C	
Operating voltage Ub	250 VDC / 250 VAC	250 VDC / 250 VAC	
Rated current (40 °C)	4.0 A	4.0 A	
cal_protection_type_iec_60529	IP67, IP69K/IP67, IP69K	IP67, IP69K/IP67, IP69K	
Approval/Conformity	FDA compliant, EAC, Ecolab, WEEE	FDA compliant, EAC, Ecolab, WEEE	
Productview	Page 171	Page 171	



	BCC0JT3 BCC S4B5-S4B4-3A-304-YX8434-200-C009	BCC0JTP BCC C3B4-C3B4-30-304-YX84A5-006-C009	BCC0JTR BCC C3B4-C3B4-30-304-YX84A5-020-C009	BCC0JTT BCC C3B4-C3B4-30-304-YX84A5-050-C009
	M12x1-Female, straight, 5-pin, A-coded	7/8"-Female, straight, 4-pin	7/8"-Female, straight, 4-pin	7/8"-Female, straight, 4-pin
	M12x1-Male, straight, 4-pin, A-coded	7/8"-Male, straight, 4-pin	7/8"-Male, straight, 4-pin	7/8"-Male, straight, 4-pin
	—	—	—	—
	—	—	—	—
	—	—	—	—
	—	—	—	—
	—	—	—	—
	TPE-V gray, 20 m	TPE-V gray, 0.6 m	TPE-V gray, 2 m	TPE-V gray, 5 m
	4	4	4	4
	-50...105 °C	-50...105 °C	-50...105 °C	-50...105 °C
	-25...105 °C	-25...105 °C	-25...105 °C	-25...105 °C
	250 VDC / 250 VAC	300 VDC / 300 VAC	300 VDC / 300 VAC	300 VDC / 300 VAC
	4.0 A	10.0 A	10.0 A	10.0 A
	IP67, IP69K/IP67, IP69K	IP69K/IP69K	IP69K/IP69K	IP69K/IP69K
	FDA compliant, EAC, Ecolab, WEEE	FDA compliant, EAC, Ecolab, WEEE	FDA compliant, EAC, Ecolab, WEEE	FDA compliant, EAC, Ecolab, WEEE
	Page 171	Page 171	Page 171	Page 171

Sensors

RFID

Machine Vision and Optical Identification

Human Machine Interfaces

Safety

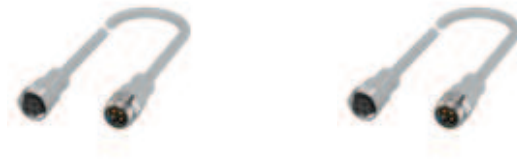
Industrial Networking

Software and System Solutions

Power Supply

Connectivity

Accessories



	BCC0JTU BCC C3B4-C3B4-30-304-YX84A5-100-C009	BCC0JTW BCC C3B4-C3B4-30-304-YX84A5-150-C009	
Connection 1	7/8"-Female, straight, 4-pin	7/8"-Female, straight, 4-pin	
Connection 2	7/8"-Male, straight, 4-pin	7/8"-Male, straight, 4-pin	
Power indicator	—	—	
Function indicator (Pin 2)	—	—	
Function indicator (Pin 3)	—	—	
Function indicator (Pin 4)	—	—	
Suppressor	—	—	
Interface	—	—	
Cable	TPE-V gray, 10 m	TPE-V gray, 15 m	
Number of conductors	4	4	
Cable temperature, fixed routing	-50...105 °C	-50...105 °C	
Cable temperature, flexible routing	-25...105 °C	-25...105 °C	
Operating voltage Ub	300 VDC / 300 VAC	300 VDC / 300 VAC	
Rated current (40 °C)	10.0 A	10.0 A	
cal_protection_type_iec_60529	IP69K/IP69K	IP69K/IP69K	
Approval/Conformity	FDA compliant, EAC, Ecolab, WEEE	FDA compliant, EAC, Ecolab, WEEE	
Productview	Page 171	Page 171	



	BCC0JTY BCC C3B4-C3B4-30-304-YX84A5-200-C009	BCCOLNE BCC C3C4-C3C4-30-304-YX84A5-020-C009	BCCOLNF BCC C3C4-C3C4-30-304-YX84A5-050-C009	BCC0JT4 BCC S4B5-S4B5-3A-313-YX8534-006-C009
	7/8"-Female, straight, 4-pin	7/8"-Female, right-angle, 4-pin	7/8"-Female, right-angle, 4-pin	M12x1-Female, straight, 5-pin, A-coded
	7/8"-Male, straight, 4-pin	7/8"-Male, right-angle, 4-pin	7/8"-Male, right-angle, 4-pin	M12x1-Male, straight, 5-pin, A-coded
	—	—	—	—
	—	—	—	—
	—	—	—	—
	—	—	—	—
	—	—	—	—
	—	—	—	—
	TPE-V gray, 20 m	TPE-V gray, 2 m	TPE-V gray, 5 m	TPE-V gray, 0.6 m
	4	4	4	5
	-50...105 °C	-50...105 °C	-50...105 °C	-50...105 °C
	-25...105 °C	-25...105 °C	-25...105 °C	-25...105 °C
	300 VDC / 300 VAC	300 VDC / 300 VAC	300 VDC / 300 VAC	60 VDC / 60 VAC
	10.0 A	10.0 A	10.0 A	4.0 A
	IP69K/IP69K	IP69K/IP69K	IP69K/IP69K	IP67, IP69K/IP67, IP69K
	FDA compliant, EAC, Ecolab, WEEE	FDA compliant, Ecolab, EAC, WEEE	FDA compliant, Ecolab, EAC, WEEE	FDA compliant, CE, EAC, Ecolab, WEEE
	Page 171	Page 171	Page 171	Page 171

Sensors

RFID

Machine Vision and Optical Identification

Human Machine Interfaces

Safety

Industrial Networking

Software and System Solutions

Power Supply

Connectivity

Accessories



	BCC0JT5 BCC S4B5-S4B5-3A-313-YX8534-020-C009	BCC0JT6 BCC S4B5-S4B5-3A-313-YX8534-050-C009	
Connection 1	M12x1-Female, straight, 5-pin, A-coded	M12x1-Female, straight, 5-pin, A-coded	
Connection 2	M12x1-Male, straight, 5-pin, A-coded	M12x1-Male, straight, 5-pin, A-coded	
Power indicator	—	—	
Function indicator (Pin 2)	—	—	
Function indicator (Pin 3)	—	—	
Function indicator (Pin 4)	—	—	
Suppressor	—	—	
Interface	—	—	
Cable	TPE-V gray, 2 m	TPE-V gray, 5 m	
Number of conductors	5	5	
Cable temperature, fixed routing	-50...105 °C	-50...105 °C	
Cable temperature, flexible routing	-25...105 °C	-25...105 °C	
Operating voltage U_b	60 VDC / 60 VAC	60 VDC / 60 VAC	
Rated current (40 °C)	4.0 A	4.0 A	
cal_protection_type_iec_60529	IP67, IP69K/IP67, IP69K	IP67, IP69K/IP67, IP69K	
Approval/Conformity	FDA compliant, CE, EAC, Ecolab, WEEE	FDA compliant, CE, EAC, Ecolab, WEEE	
Productview	Page 171	Page 171	



	BCC0JT7 BCC S4B5-S4B5-3A-313-YX8534-100-C009	BCC0JT8 BCC S4B5-S4B5-3A-313-YX8534-150-C009	BCC0JT9 BCC S4B5-S4B5-3A-313-YX8534-200-C009	BCC0JTZ BCC C3B5-C3B5-30-335-YX85A5-006-C009
	M12x1-Female, straight, 5-pin, A-coded	M12x1-Female, straight, 5-pin, A-coded	M12x1-Female, straight, 5-pin, A-coded	7/8"-Female, straight, 5-pin
	M12x1-Male, straight, 5-pin, A-coded	M12x1-Male, straight, 5-pin, A-coded	M12x1-Male, straight, 5-pin, A-coded	7/8"-Male, straight, 5-pin
	—	—	—	—
	—	—	—	—
	—	—	—	—
	—	—	—	—
	—	—	—	—
	—	—	—	—
	TPE-V gray, 10 m	TPE-V gray, 15 m	TPE-V gray, 20 m	TPE-V gray, 0.6 m
	5	5	5	5
	-50...105 °C	-50...105 °C	-50...105 °C	-50...105 °C
	-25...105 °C	-25...105 °C	-25...105 °C	-25...105 °C
	60 VDC / 60 VAC	60 VDC / 60 VAC	60 VDC / 60 VAC	300 VDC / 300 VAC
	4.0 A	4.0 A	4.0 A	9.0 A
	IP67, IP69K/IP67, IP69K	IP67, IP69K/IP67, IP69K	IP67, IP69K/IP67, IP69K	IP69K/IP69K
	FDA compliant, CE, EAC, Ecolab, WEEE	FDA compliant, CE, EAC, Ecolab, WEEE	FDA compliant, CE, EAC, Ecolab, WEEE	FDA compliant, EAC, Ecolab, WEEE
	Page 171	Page 171	Page 171	Page 171

Sensors

RFID

Machine Vision and Optical Identification

Human Machine Interfaces

Safety

Industrial Networking

Software and System Solutions

Power Supply

Connectivity

Accessories



	BCC0JU0 BCC C3B5-C3B5-30-335-YX85A5-020-C009	BCC0JU1 BCC C3B5-C3B5-30-335-YX85A5-050-C009	
Connection 1	7/8"-Female, straight, 5-pin	7/8"-Female, straight, 5-pin	
Connection 2	7/8"-Male, straight, 5-pin	7/8"-Male, straight, 5-pin	
Power indicator	—	—	
Function indicator (Pin 2)	—	—	
Function indicator (Pin 3)	—	—	
Function indicator (Pin 4)	—	—	
Suppressor	—	—	
Interface	—	—	
Cable	TPE-V gray, 2 m	TPE-V gray, 5 m	
Number of conductors	5	5	
Cable temperature, fixed routing	-50...105 °C	-50...105 °C	
Cable temperature, flexible routing	-25...105 °C	-25...105 °C	
Operating voltage Ub	300 VDC / 300 VAC	300 VDC / 300 VAC	
Rated current (40 °C)	9.0 A	9.0 A	
cal_protection_type_iec_60529	IP69K/IP69K	IP69K/IP69K	
Approval/Conformity	FDA compliant, EAC, Ecolab, WEEE	FDA compliant, EAC, Ecolab, WEEE	
Productview	Page 171	Page 171	



	BCC0JU2 BCC C3B5-C3B5-30-335-YX85A5-100-C009	BCC0JU3 BCC C3B5-C3B5-30-335-YX85A5-150-C009	BCC0JU4 BCC C3B5-C3B5-30-335-YX85A5-200-C009	BCC0JW3 BCC S4B8-S4B8-3A-321-YX8825-006-C009
	7/8"-Female, straight, 5-pin	7/8"-Female, straight, 5-pin	7/8"-Female, straight, 5-pin	M12x1-Female, straight, 8-pin, A-coded
	7/8"-Male, straight, 5-pin	7/8"-Male, straight, 5-pin	7/8"-Male, straight, 5-pin	M12x1-Male, straight, 8-pin, A-coded
	—	—	—	—
	—	—	—	—
	—	—	—	—
	—	—	—	—
	—	—	—	—
	TPE-V gray, 10 m	TPE-V gray, 15 m	TPE-V gray, 20 m	TPE-V gray, 0.6 m
	5	5	5	8
	-50...105 °C	-50...105 °C	-50...105 °C	-50...105 °C
	-25...105 °C	-25...105 °C	-25...105 °C	-25...105 °C
	300 VDC / 300 VAC	300 VDC / 300 VAC	300 VDC / 300 VAC	30 VDC / 30 VAC
	9.0 A	9.0 A	9.0 A	2.0 A
	IP69K/IP69K	IP69K/IP69K	IP69K/IP69K	IP67, IP69K/IP67, IP69K
	FDA compliant, EAC, Ecolab, WEEE	FDA compliant, EAC, Ecolab, WEEE	FDA compliant, EAC, Ecolab, WEEE	FDA compliant, CE, EAC, Ecolab, WEEE
	Page 171	Page 171	Page 171	Page 171

Sensors

RFID

Machine Vision and Optical Identification

Human Machine Interfaces

Safety

Industrial Networking

Software and System Solutions

Power Supply

Connectivity

Accessories



	BCC0JW4 BCC S4B8-S4B8-3A-321-YX8825-020-C009	BCC0JW5 BCC S4B8-S4B8-3A-321-YX8825-050-C009	
Connection 1	M12x1-Female, straight, 8-pin, A-coded	M12x1-Female, straight, 8-pin, A-coded	
Connection 2	M12x1-Male, straight, 8-pin, A-coded	M12x1-Male, straight, 8-pin, A-coded	
Power indicator	—	—	
Function indicator (Pin 2)	—	—	
Function indicator (Pin 3)	—	—	
Function indicator (Pin 4)	—	—	
Suppressor	—	—	
Interface	—	—	
Cable	TPE-V gray, 2 m	TPE-V gray, 5 m	
Number of conductors	8	8	
Cable temperature, fixed routing	-50...105 °C	-50...105 °C	
Cable temperature, flexible routing	-25...105 °C	-25...105 °C	
Operating voltage Ub	30 VDC / 30 VAC	30 VDC / 30 VAC	
Rated current (40 °C)	2.0 A	2.0 A	
cal_protection_type_iec_60529	IP67, IP69K/IP67, IP69K	IP67, IP69K/IP67, IP69K	
Approval/Conformity	FDA compliant, CE, EAC, Ecolab, WEEE	FDA compliant, CE, EAC, Ecolab, WEEE	
Productview	Page 171	Page 171	



	BCC0JW6 BCC S4B8-S4B8-3A-321-YX8825-100-C009	BCC0JW7 BCC S4B8-S4B8-3A-321-YX8825-150-C009	BCC0KL9 BCC U0AA-U019-90-736-Z19004-010	BCC0KLA BCC U0AA-U019-90-736-Z19004-030
	M12x1-Female, straight, 8-pin, A-coded	M12x1-Female, straight, 8-pin, A-coded	USB 3.0 Micro-B-Male, straight, 10-pin	USB 3.0 Micro-B-Male, straight, 10-pin
	M12x1-Male, straight, 8-pin, A-coded	M12x1-Male, straight, 8-pin, A-coded	USB 3.0 Standard-A-Male, straight, 9-pin	USB 3.0 Standard-A-Male, straight, 9-pin
	—	—	—	—
	—	—	—	—
	—	—	—	—
	—	—	—	—
	—	—	—	—
	TPE-V gray, 10 m	TPE-V gray, 15 m	PVC Shielded black, 1.00 m	PVC Shielded black, 3.00 m
	8	8	8	8
	-50...105 °C	-50...105 °C	-10...80 °C	-10...80 °C
	-25...105 °C	-25...105 °C	—	—
	30 VDC / 30 VAC	30 VDC / 30 VAC	5 VDC	5 VDC
	2.0 A	2.0 A	0.1 A	0.1 A
	IP67, IP69K/IP67, IP69K	IP67, IP69K/IP67, IP69K	IP20/IP20	IP20/IP20
	FDA compliant, CE, EAC, Ecolab, WEEE	FDA compliant, CE, EAC, Ecolab, WEEE	EAC, WEEE	EAC, WEEE
	Page 171	Page 171	Page 172	Page 172

Sensors

RFID

Machine Vision and Optical Identification

Human Machine Interfaces

Safety

Industrial Networking

Software and System Solutions

Power Supply

Connectivity

Accessories



	BCCOKLC BCC U0AA-U019-90-736-Z19004-050		
Connection 1	USB 3.0 Micro-B-Male, straight, 10-pin		
Connection 2	USB 3.0 Standard-A-Male, straight, 9-pin		
Power indicator	—		
Function indicator (Pin 2)	—		
Function indicator (Pin 3)	—		
Function indicator (Pin 4)	—		
Suppressor	—		
Interface	—		
Cable	PVC Shielded black, 5.00 m		
Number of conductors	8		
Cable temperature, fixed routing	-10...80 °C		
Cable temperature, flexible routing	—		
Operating voltage U_b	5 VDC		
Rated current (40 °C)	0.1 A		
cal_protection_type_iec_60529	IP20/IP20		
Approval/Conformity	EAC, WEEE		
Productview	Page 172		

Sensors

RFID

Machine Vision and
Optical Identification

Human Machine
Interfaces

Safety

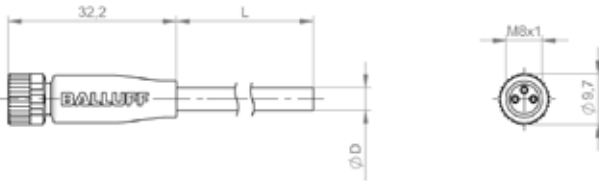
Industrial Networking

Software and
System Solutions

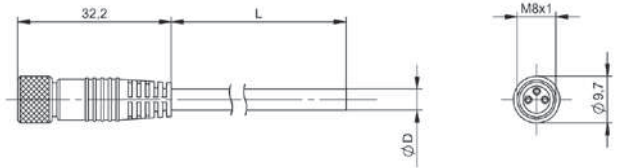
Power Supply

Connectivity

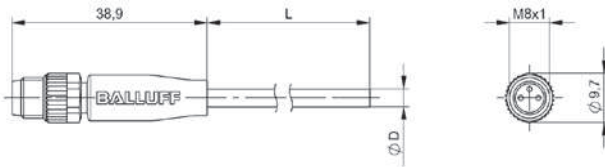
Accessories



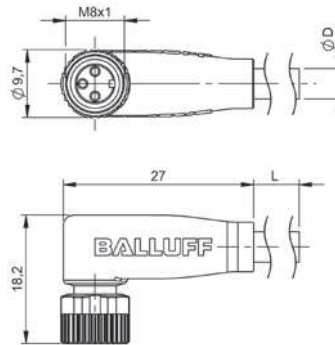
BCC M313-0000-10-001-...
BCC M313-0000-10-004-...



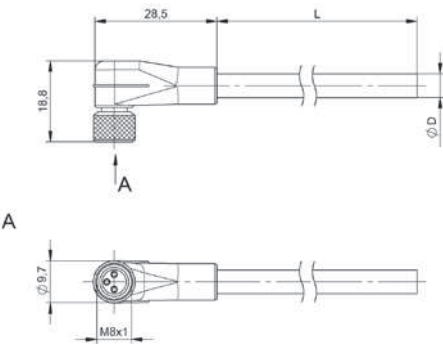
BCC M313-0000-10-036-...



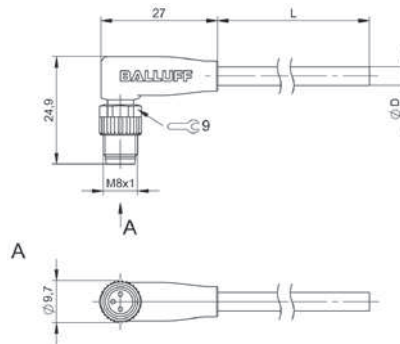
BCC M313-0000-20-001-...



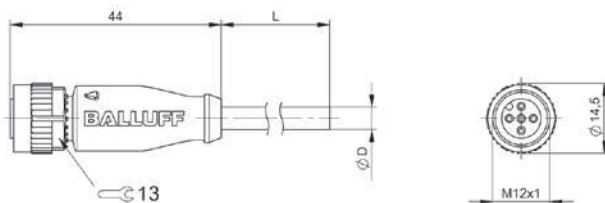
BCC M323-0000-10-001-...
BCC M323-0000-10-004-...
BCC M323-0000-10-006-...



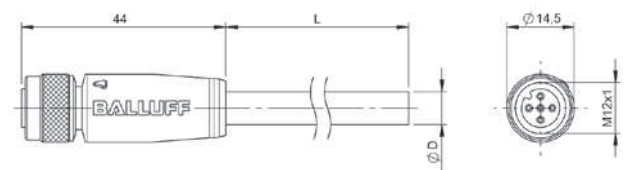
BCC M323-0000-10-036-...



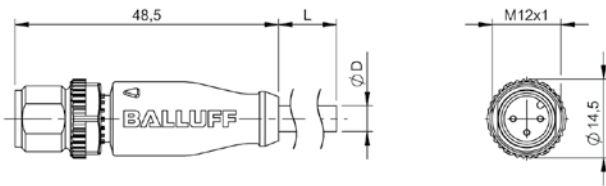
BCC M323-0000-20-001-...



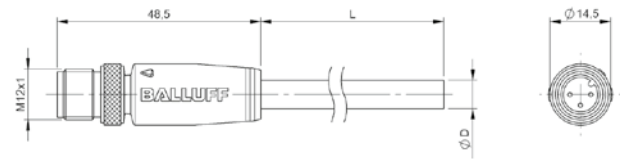
BCC M415-0000-1A-001-...
BCC M415-0000-1A-004-...
BCC M415-0000-1A-002-...
BCC M415-0000-1A-005-...



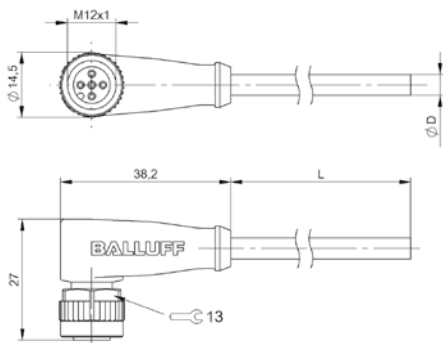
BCC M415-0000-1A-036-...
BCC M415-0000-1A-037-...



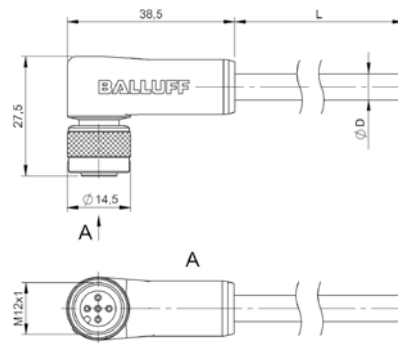
BCC M413-0000-2A-001-...
BCC M413-0000-2A-002-...



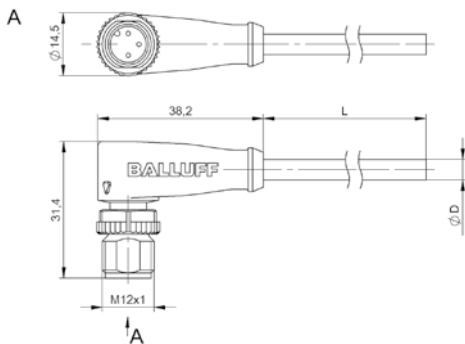
BCC M413-0000-2A-036-...
BCC M413-0000-2A-037-...



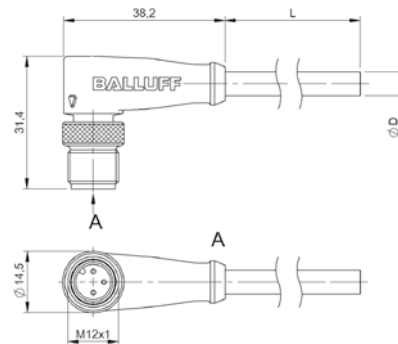
BCC M425-0000-1A-001-...
BCC M425-0000-1A-004-...
BCC M425-0000-1A-006-...
BCC M425-0000-1A-002-...
BCC M425-0000-1A-005-...



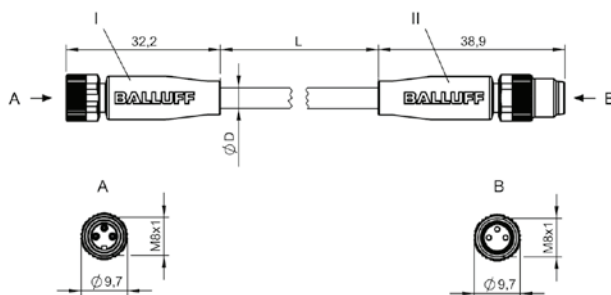
BCC M425-0000-1A-036-...
BCC M425-0000-1A-037-...



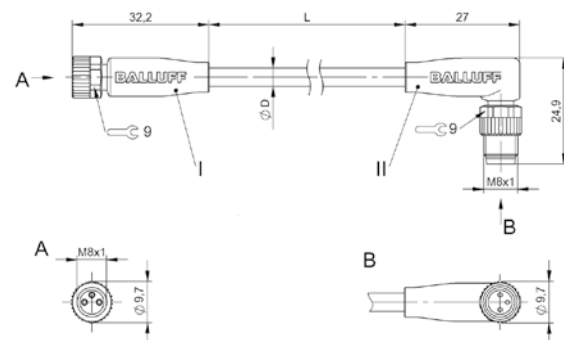
BCC M423-0000-2A-001-...



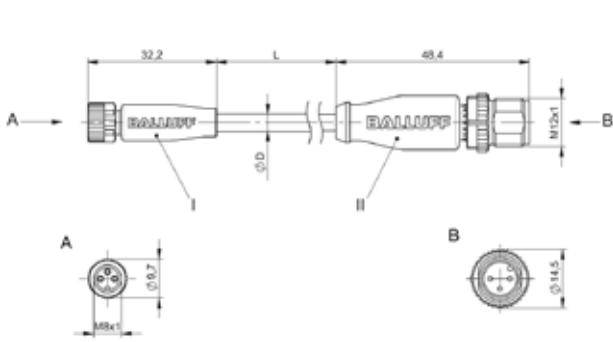
BCC M423-0000-2A-036-...



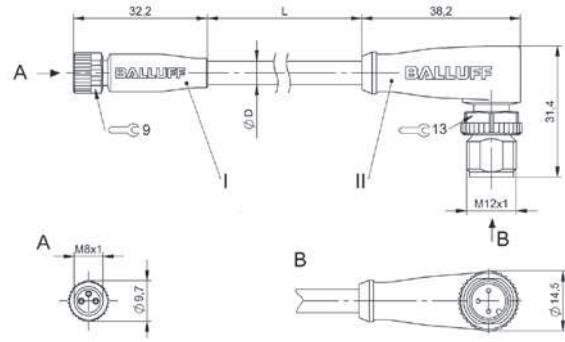
BCC M313-M313-30-300-...



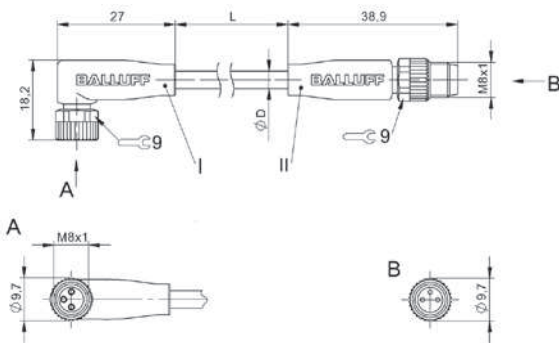
BCC M313-M323-30-300-...



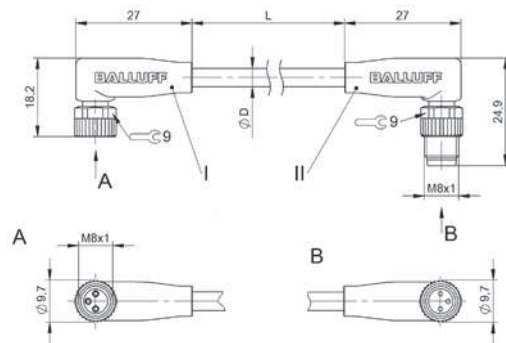
BCC M313-M413-3E-300...



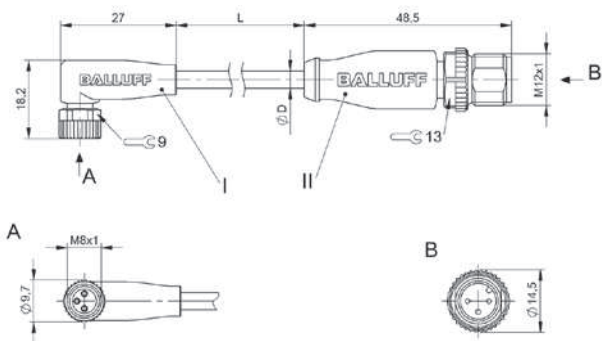
BCC M313-M423-3E-300...



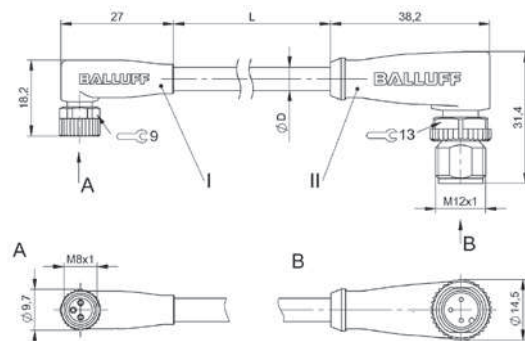
BCC M323-M313-30-300...
BCC M323-M313-30-602...



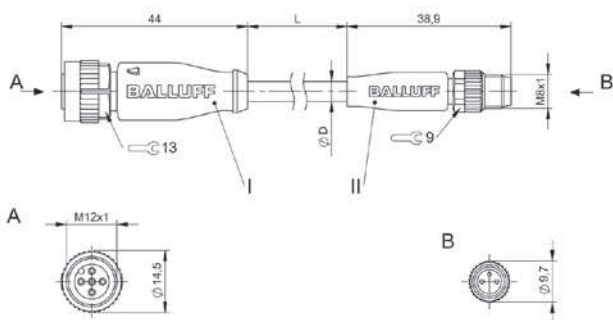
BCC M323-M323-30-300...



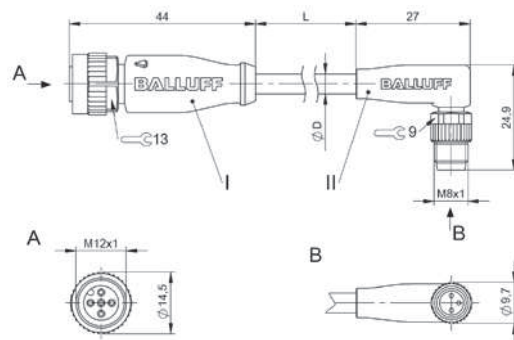
BCC M323-M413-3E-300...
BCC M323-M413-3E-602...



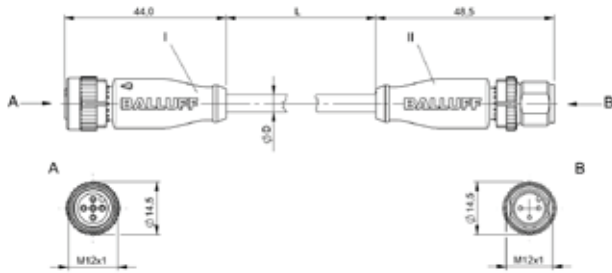
BCC M323-M423-3E-300...



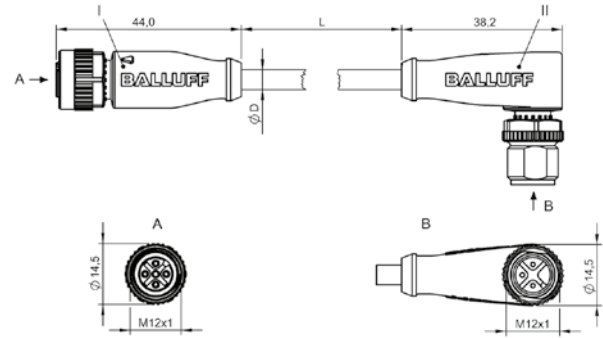
BCC M415-M313-3F-300...



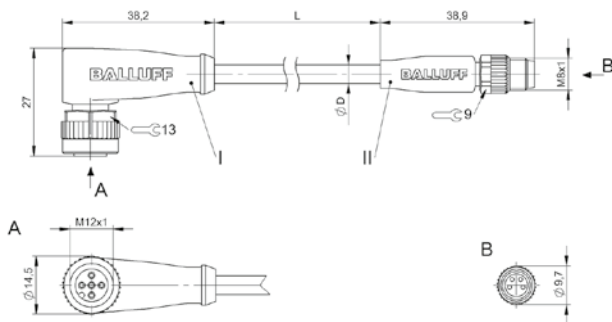
BCC M415-M323-3F-300...



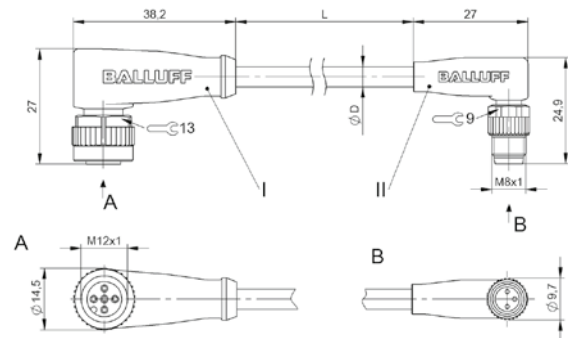
BCC M415-M413-3A-300-...



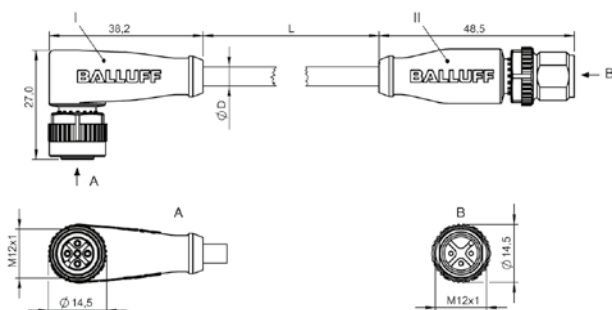
BCC M415-M423-3A-300-...



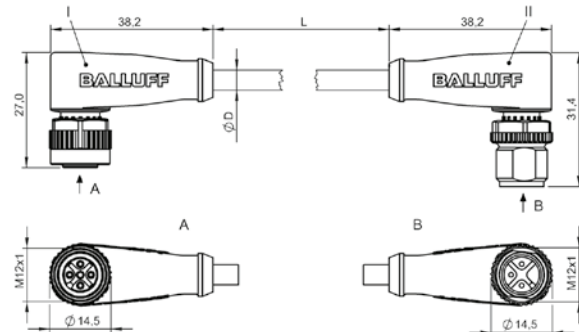
BCC M425-M313-3F-300-...
BCC M425-M313-3F-602-...



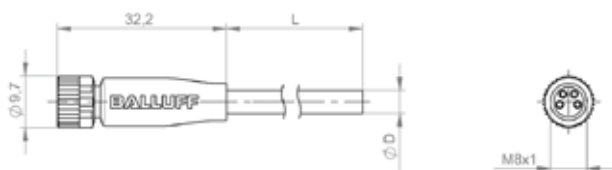
BCC M425-M323-3F-300-...
BCC M425-M323-3F-602-...



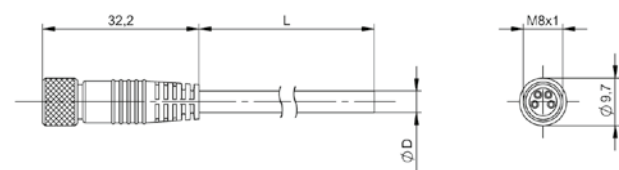
BCC M425-M413-3A-300-...
BCC M425-M413-3A-602-...



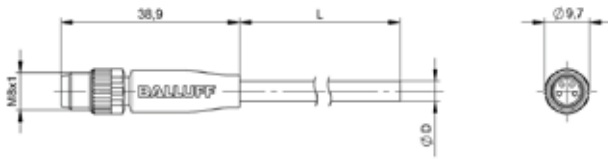
BCC M425-M423-3A-300-...



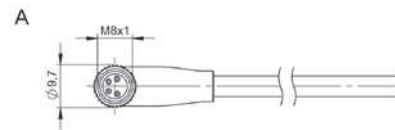
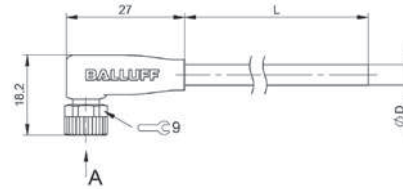
BCC M314-0000-10-003-...



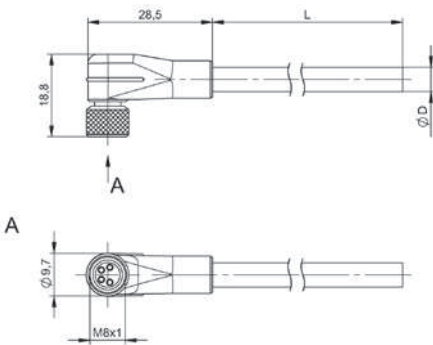
BCC M314-0000-10-014-...



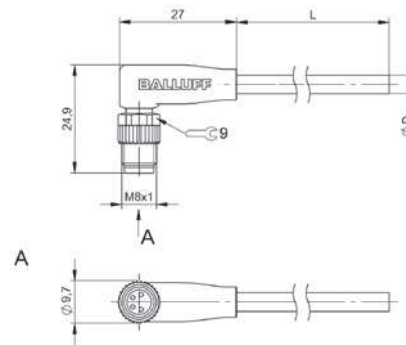
BCC M314-0000-20-003-...



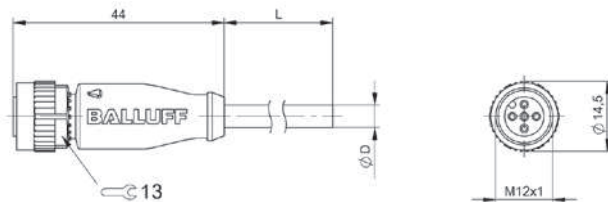
BCC M324-0000-10-003-...
BCC M324-0000-10-008-...



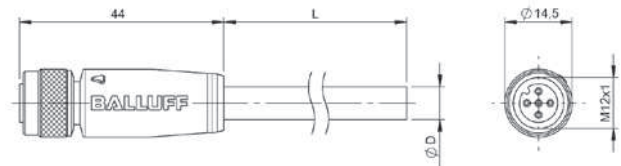
BCC M324-0000-10-014-...



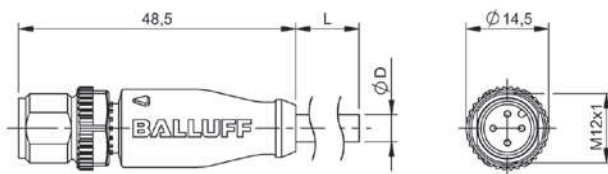
BCC M324-0000-20-003-...



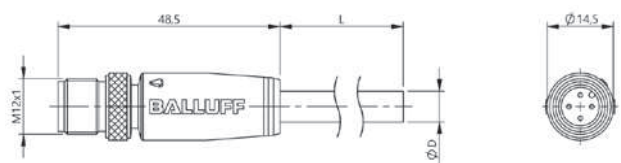
BCC M415-0000-1A-003-...
BCC M415-0000-1A-008-...
BCC M415-0000-1A-010-...



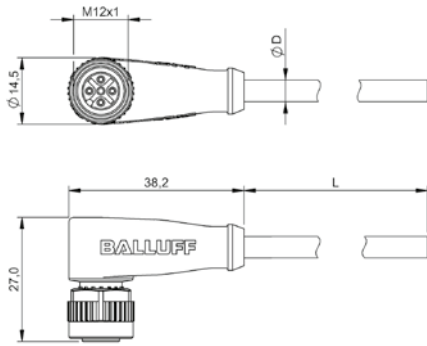
BCC M415-0000-1A-014-...



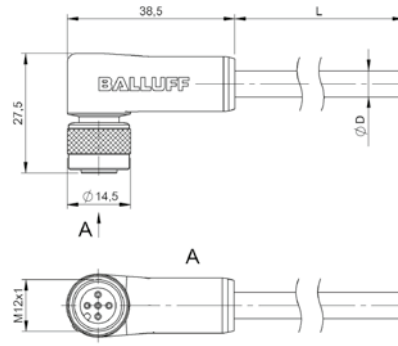
BCC M414-0000-2A-003-...



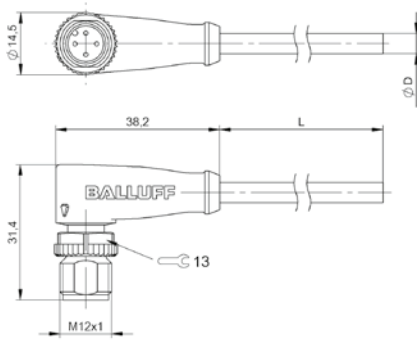
BCC M414-0000-2A-014-...



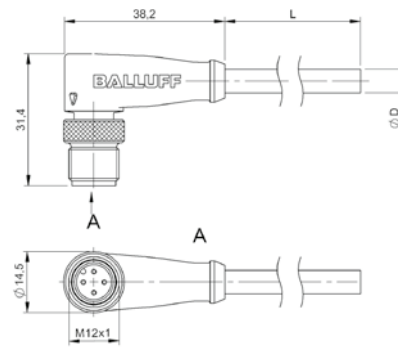
BCC M425-0000-1A-003-...
 BCC M425-0000-1A-008-...
 BCC M425-0000-1A-010-...



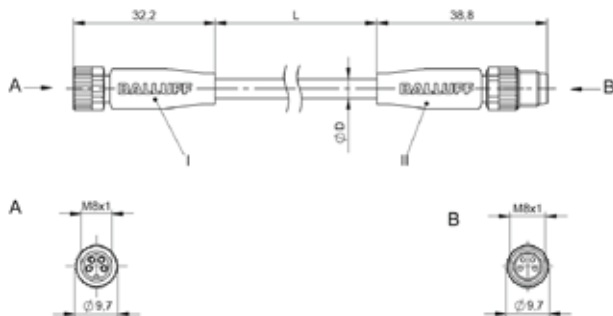
BCC M425-0000-1A-014-...



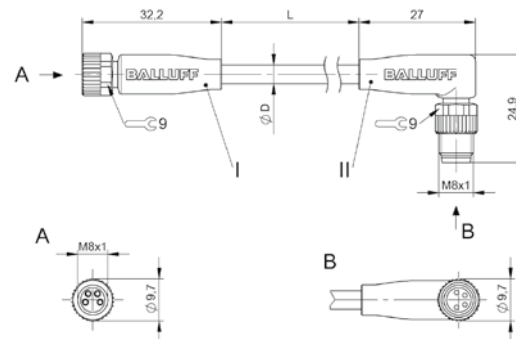
BCC M424-0000-2A-003-...
 BCC M424-0000-2A-008-...



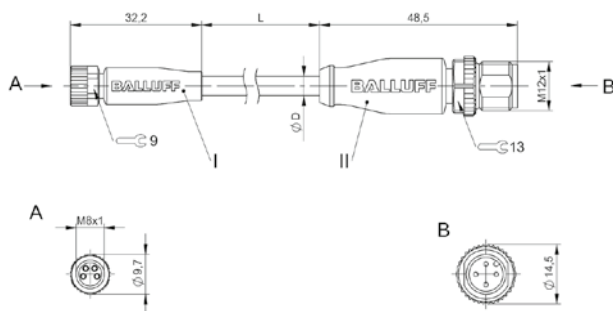
BCC M424-0000-2A-014-...



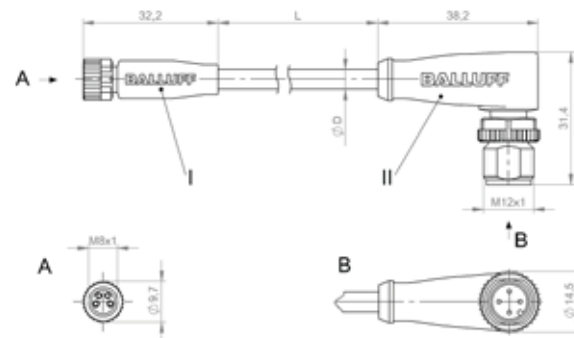
BCC M314-M314-30-304-...



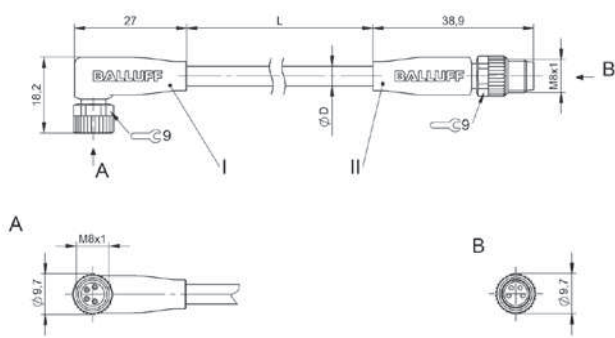
BCC M314-M324-30-304-...



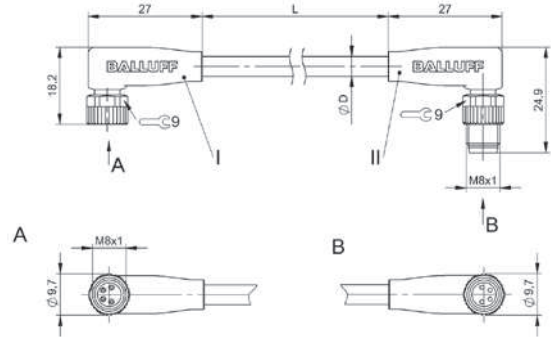
BCC M314-M414-3E-304-...



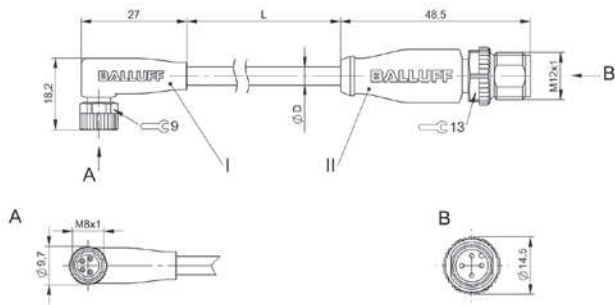
BCC M314-M424-3E-304-...



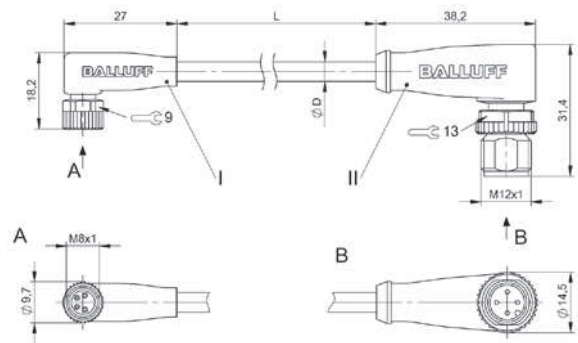
BCC M324-M314-30-304...



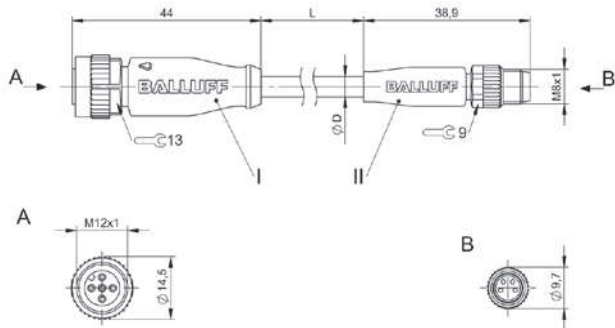
BCC M324-M324-30-304...



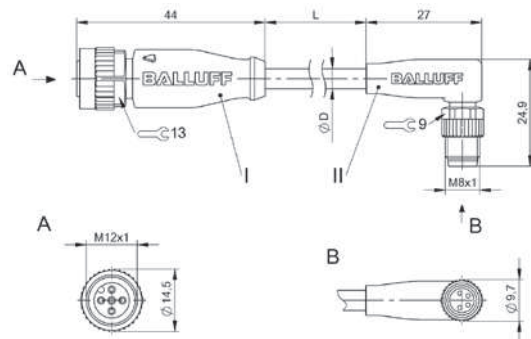
BCC M324-M414-3E-304...



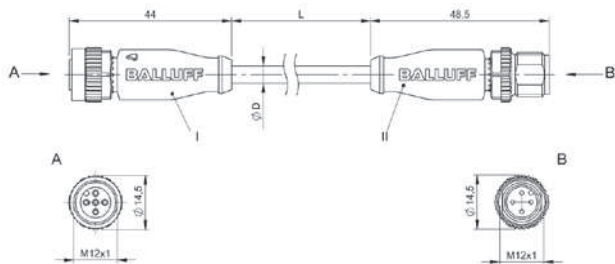
BCC M324-M424-3E-304...



BCC M415-M314-3F-304...

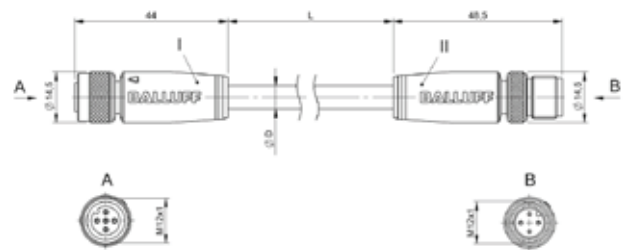


BCC M415-M324-3F-304...

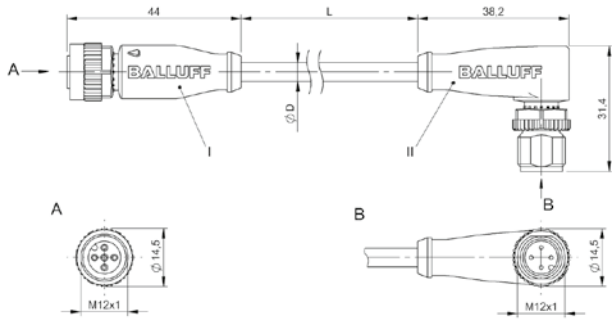


BCC M415-M414-3A-304...

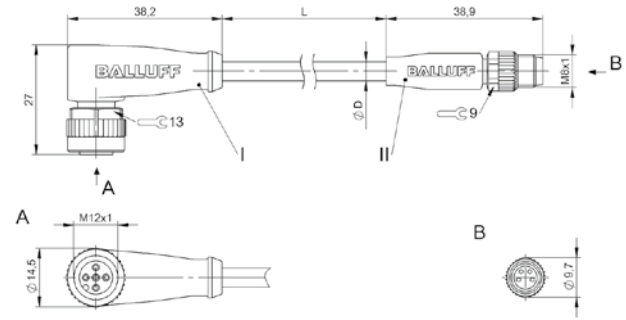
BCC M415-M414-3A-606...



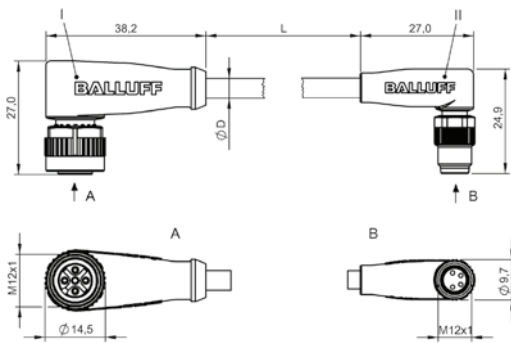
BCC M415-M414-3A-305-PS0434...



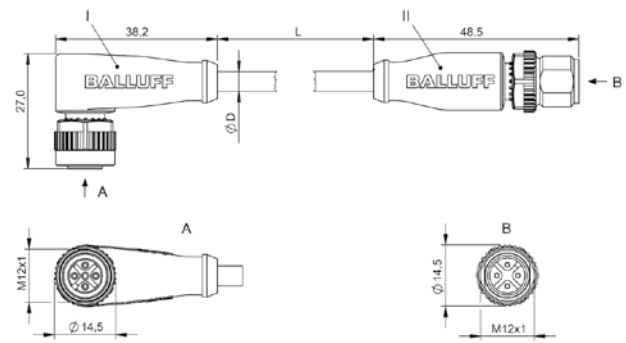
BCC M415-M424-3A-304-...



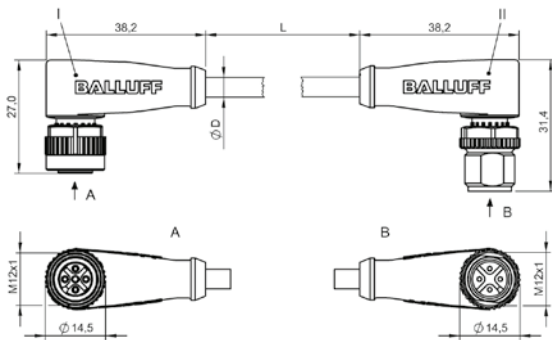
BCC M425-M314-3F-304-...



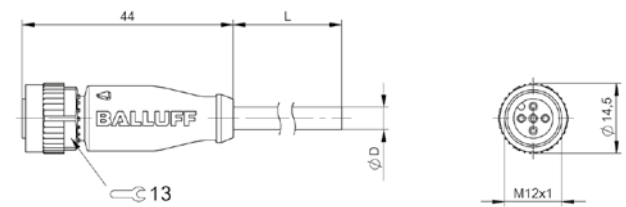
BCC M425-M324-3F-304-...



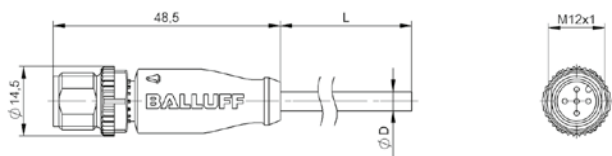
BCC M425-M414-3A-304-...
BCC M425-M414-3A-606-...



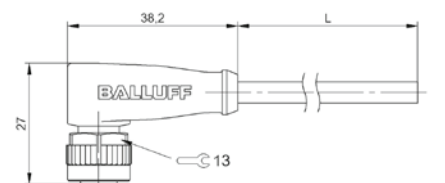
BCC M425-M424-3A-304-...



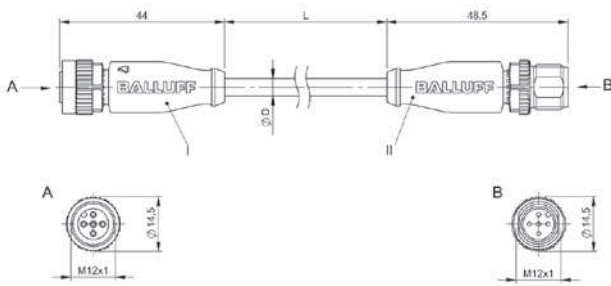
BCC M415-0000-1A-017-PX0534-...
BCC M415-0000-1A-034-PX0534-...



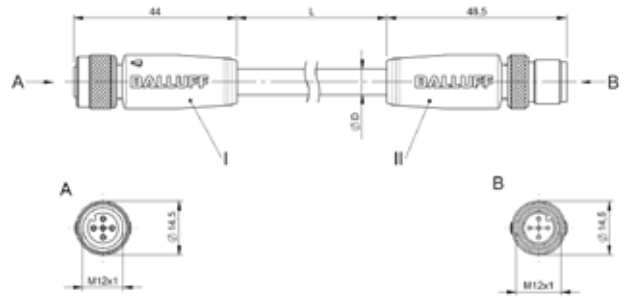
BCC M415-0000-2A-017-PX0534-...
BCC M415-0000-2A-034-PX0534-...



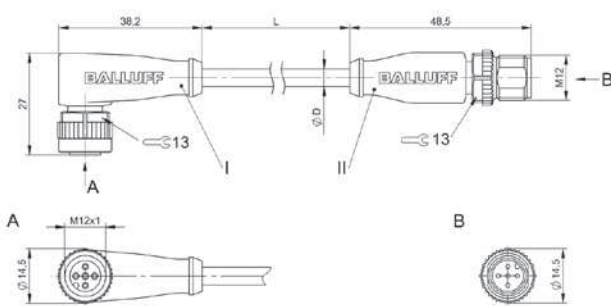
BCC M425-0000-1A-017-PX0534-...
BCC M425-0000-1A-034-PX0534-...
BCC M425-0000-1A-039-PX0534-...
BCC M425-0000-1A-040-PX0534-...



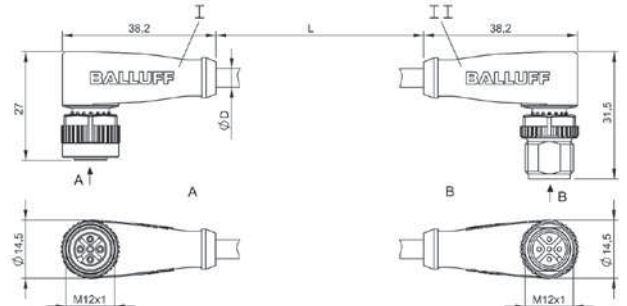
BCC M415-M415-3A-312-PX0534-...
BCC M415-M415-3A-313-PX0534-...



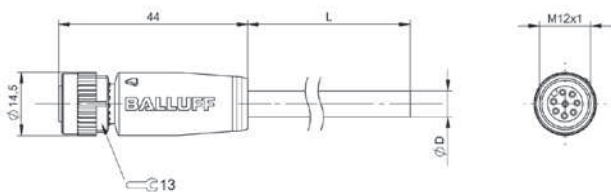
BCC M415-M415-3A-315-PS0534-...



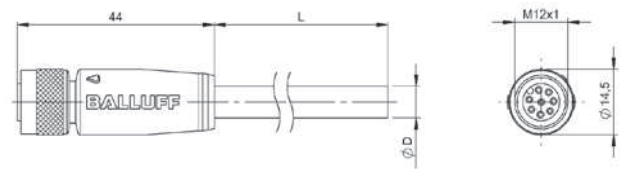
BCC M425-M415-3A-312-PX0534-...
BCC M425-M415-3A-313-PX0534-...
BCC M425-M415-3A-660-PX0534-...
BCC M425-M415-3A-661-PX0534-...



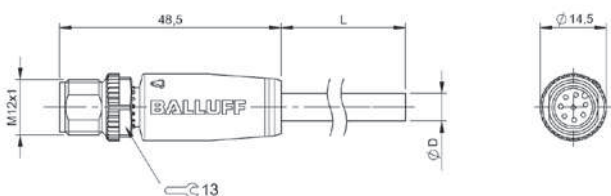
BCC M425-M425-3A-660-PX0534-...
BCC M425-M425-3A-661-PX0534-...



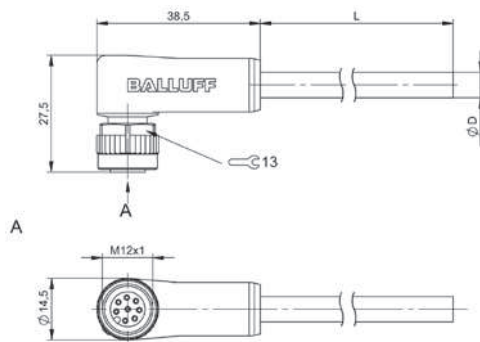
BCC M418-0000-1A-044-PX0825-...
BCC M418-0000-1A-069-PX0825-...



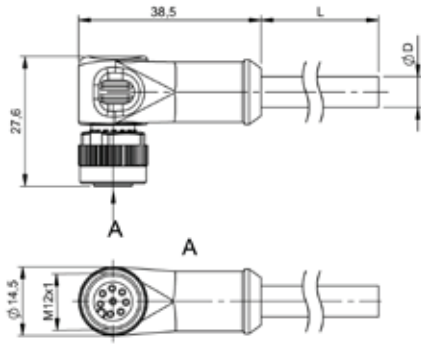
BCC M418-0000-1A-046-PS0825-...



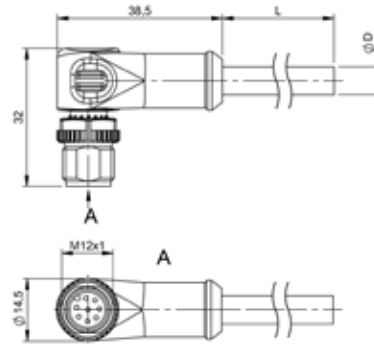
BCC M418-0000-2A-044-PX0825-...



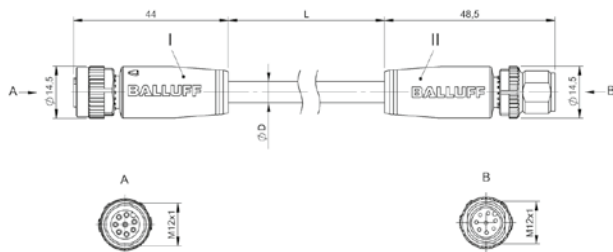
BCC M428-0000-1A-044-PX0825-...
BCC M428-0000-1A-069-PX0825-...



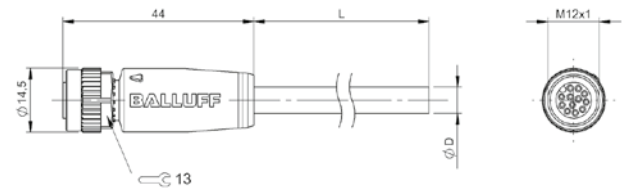
BCC M428-0000-1A-046-PS0825-...



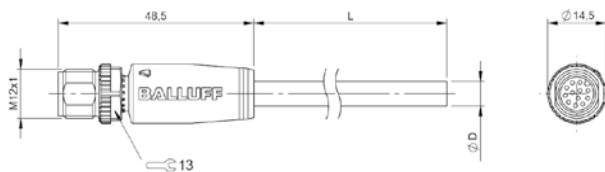
BCC M428-0000-2A-044-PX0825-...



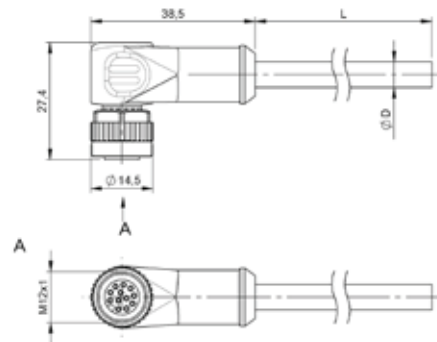
BCC M418-M418-3A-342-PX0825-...



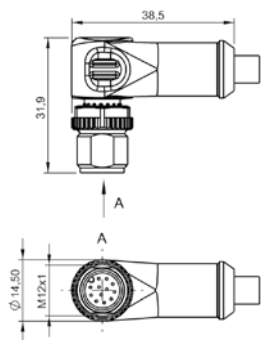
BCC M41C-0000-1A-049-PX0C25-...



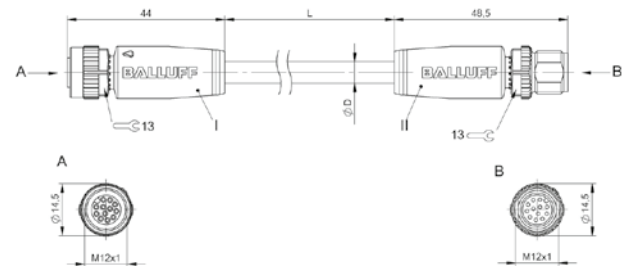
BCC M41C-0000-2A-049-PX0C25-...



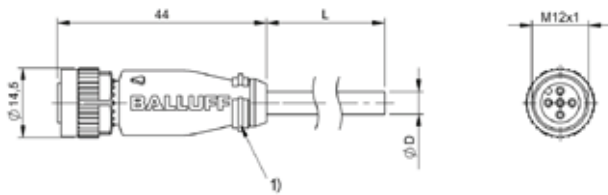
BCC M42C-0000-1A-049-PX0C25-...



BCC M42C-0000-2A-049-PX0C25-...

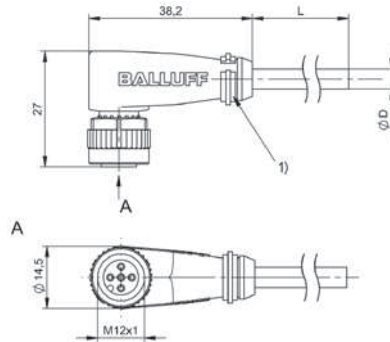


BCC M41C-M41C-3A-325-PX0C25-...



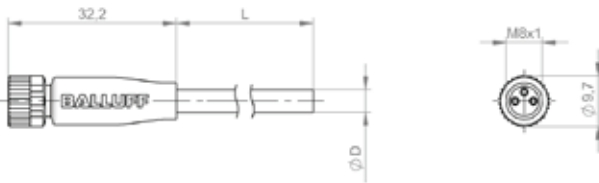
1) White identification clip

BCC M415-0000-1A-001-PH0334-...
BCC M415-0000-1A-003-PH0434-...

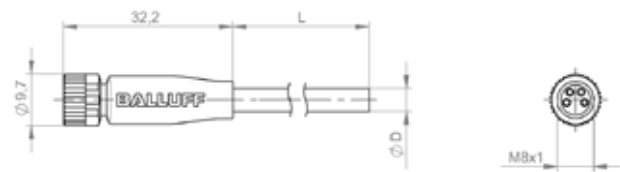


1) White identification clip

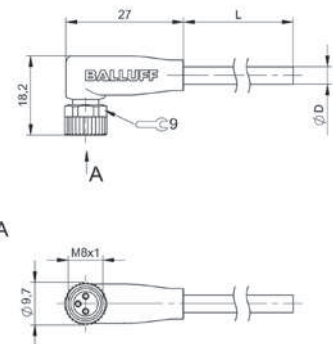
BCC M425-0000-1A-001-PH0334-...
BCC M425-0000-1A-003-PH0434-...



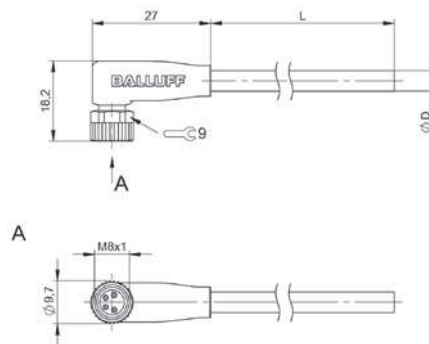
BCC M313-0000-10-001-PW3334-...



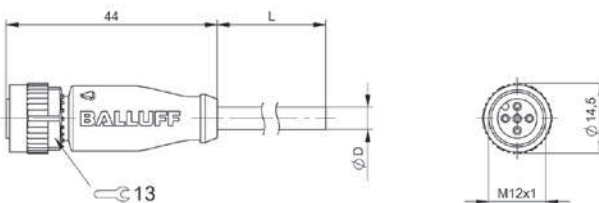
BCC M314-0000-10-003-PW3434-...



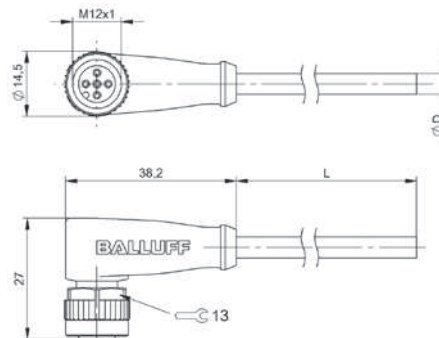
BCC M323-0000-10-001-PW3334-...



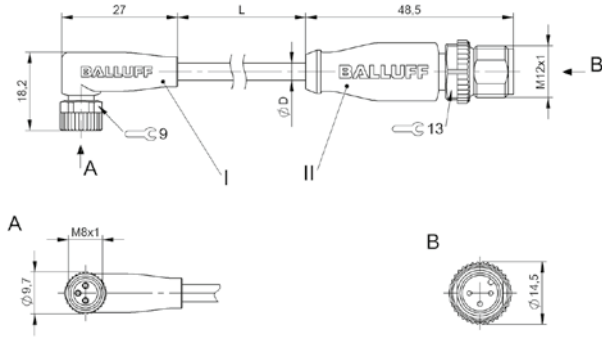
BCC M324-0000-10-003-PW3434-...



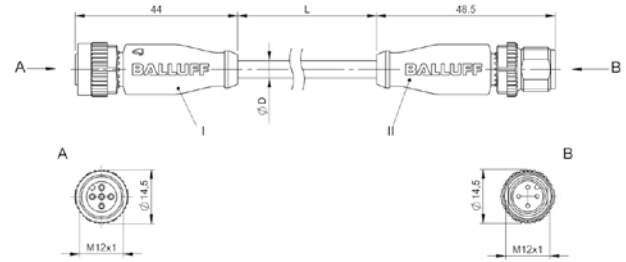
BCC M415-0000-1A-003-PW3434-...



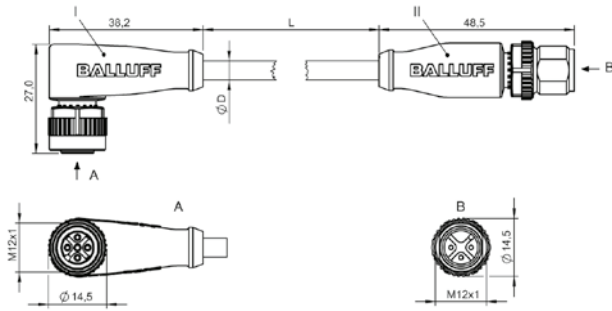
BCC M425-0000-1A-001-PW3334-...
BCC M425-0000-1A-004-PW3334-...
BCC M425-0000-1A-003-PW3434-...
BCC M425-0000-1A-099-PW3434-...
BCC M425-0000-1A-100-PW3534-...



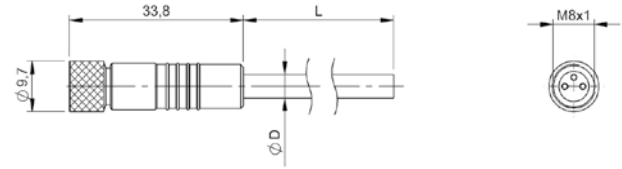
BCC M323-M413-3E-602-PW3334-...



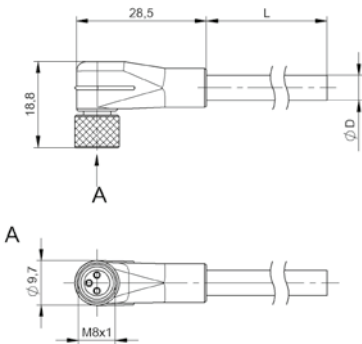
BCC M415-M414-3A-304-PW3434-...
BCC M415-M415-3A-313-PW3534-...



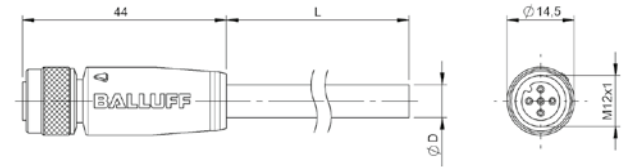
BCC M425-M413-3A-602-PW3334-...
BCC M425-M414-3A-304-PW3434-...
BCC M425-M414-3A-691-PW3434-...
BCC M425-M415-3A-313-PW3534-...
BCC M425-M415-3A-692-PW3534-...



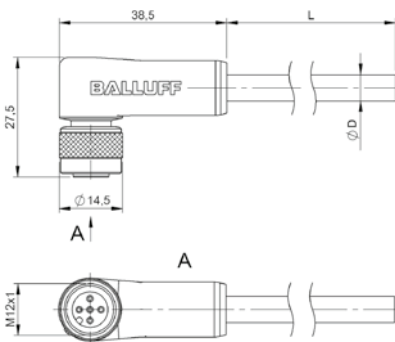
BCC W313-0000-10-001-BW8334-...
BCC W314-0000-10-003-BW8434-...



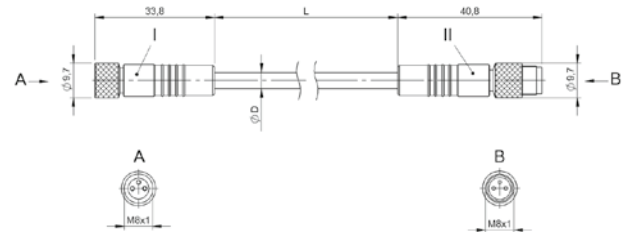
BCC W323-0000-10-001-BW8334-...
BCC W324-0000-10-003-BW8434-...



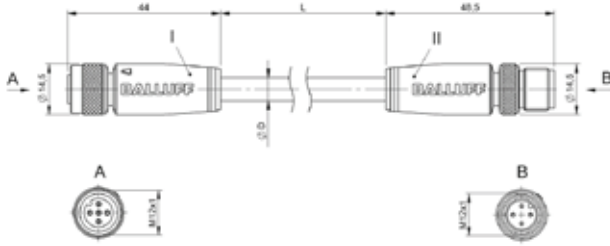
BCC W415-0000-1A-003-BW8434-...



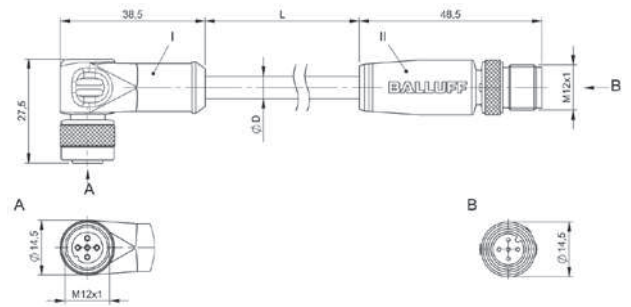
BCC W425-0000-1A-003-BW8434-...



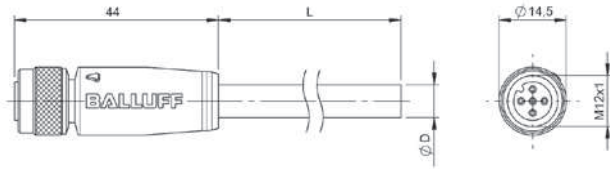
BCC W313-W313-30-300-BW8334-...



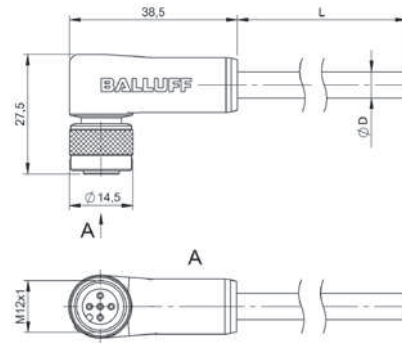
BCC W415-W414-3A-304-BW8434-...



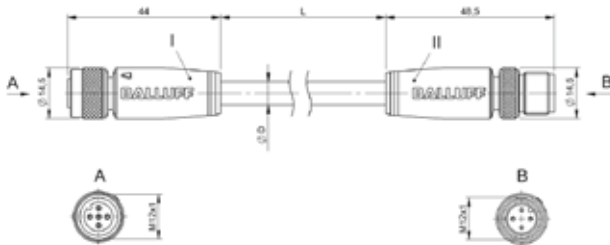
BCC W425-W414-3A-304-BW8434-...



BCC W415-0000-1A-003-SW0434-...

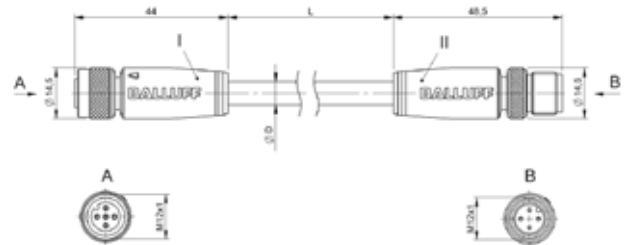


BCC W425-0000-1A-003-SW0434-...



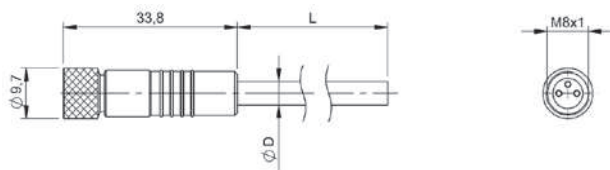
BCC W415-W414-3A-304-SW0434-...

BCC W415-W414-3A-650-SW0434-...

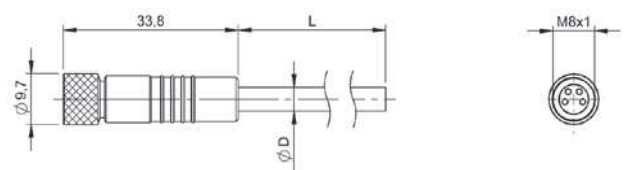


BCC W425-W414-3A-304-SW0434-...

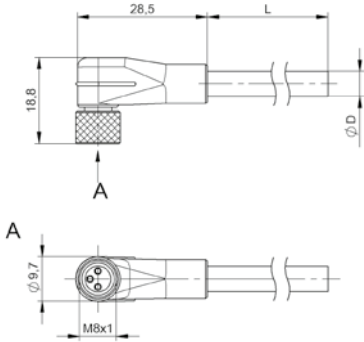
BCC W425-W414-3A-650-SW0434-...



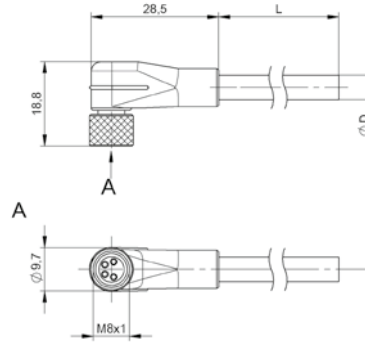
BCC W313-0000-10-001-TW0334-...



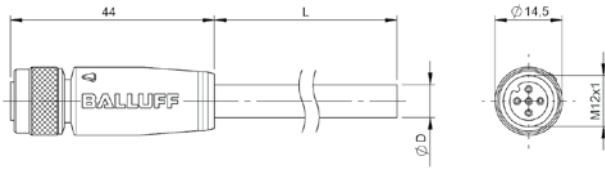
BCC W314-0000-10-003-TW0434-...



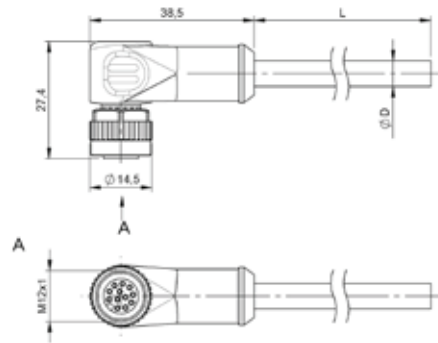
BCC W323-0000-10-001-TW0334-...



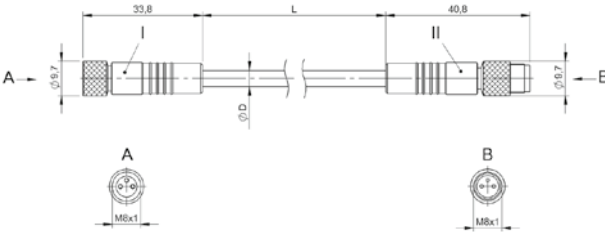
BCC W324-0000-10-003-TW0434-...



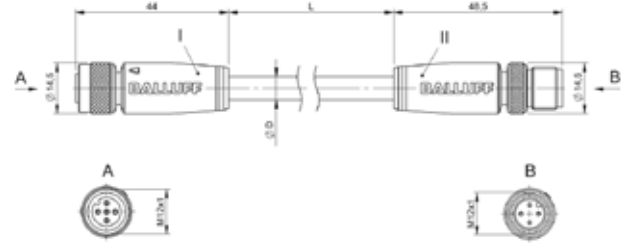
BCC W415-0000-1A-003-TW0434-...



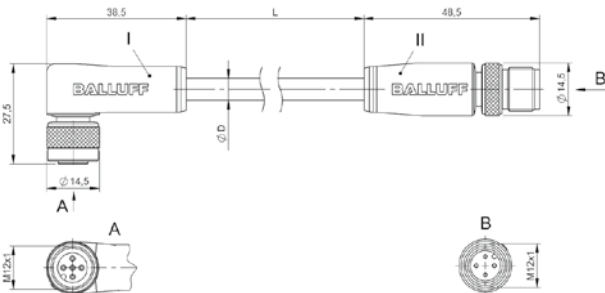
BCC W425-0000-1A-003-TW0434-...



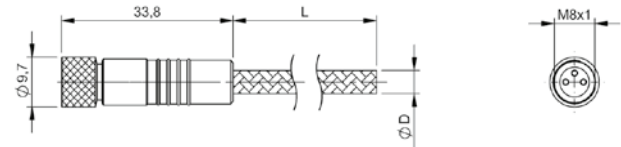
BCC W313-W313-30-300-TW0334-...



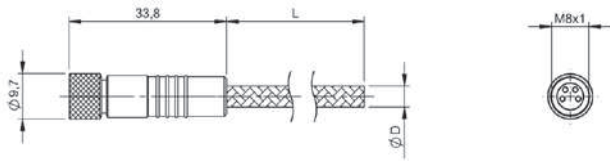
BCC W415-W414-3A-304-TW0434-...
BCC W415-W414-3A-650-TW0434-...



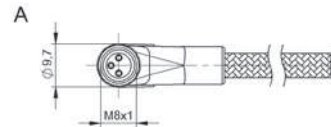
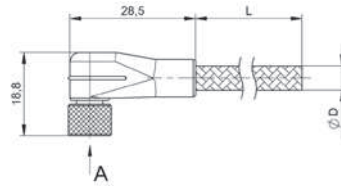
BCC W425-W414-3A-304-TW0434-...
BCC W425-W414-3A-650-TW0434-...



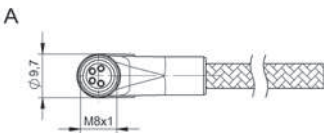
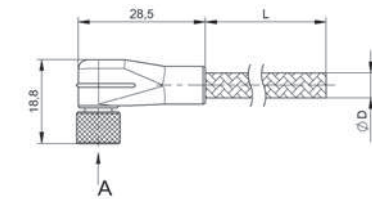
BCC W313-0000-10-001-MW8334-...



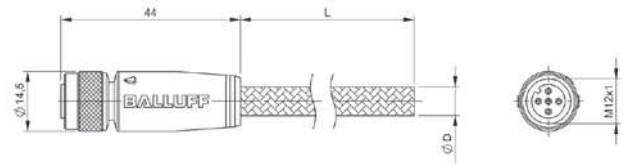
BCC W314-0000-10-003-MW8434-...



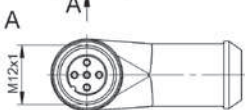
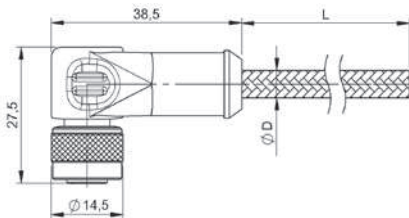
BCC W323-0000-10-001-MW8334-...



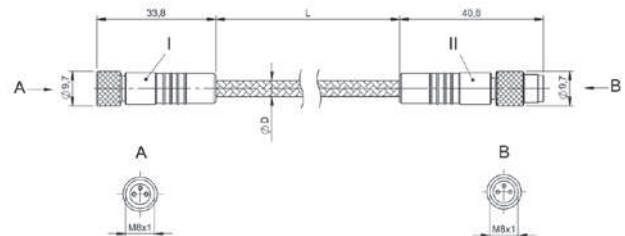
BCC W324-0000-10-003-MW8434-...



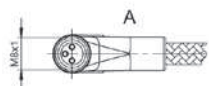
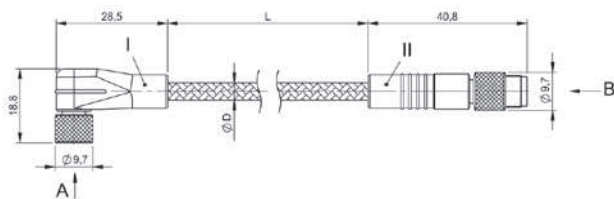
BCC W415-0000-1A-003-MW8434-...



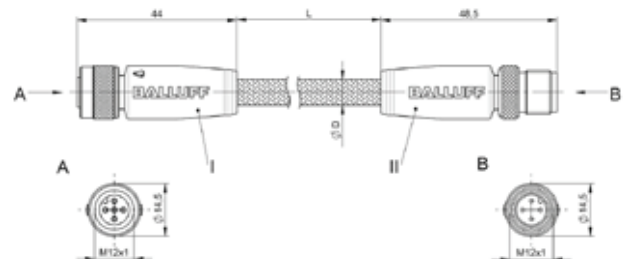
BCC W425-0000-1A-003-MW8434-...



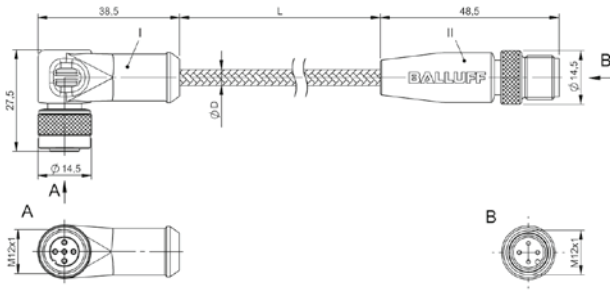
BCC W313-W313-30-300-MW8334-...



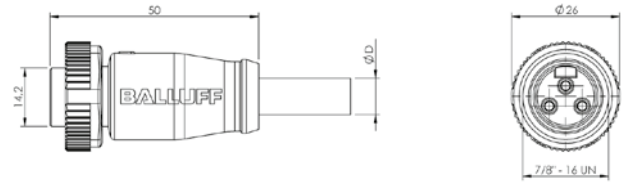
BCC W323-W313-30-300-MW8334-...



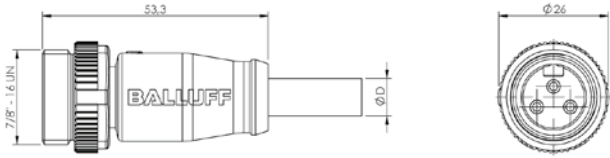
BCC W415-W414-3A-304-MW8434-...



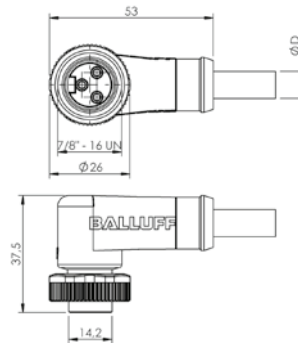
BCC W425-W414-3A-304-MW8434-...



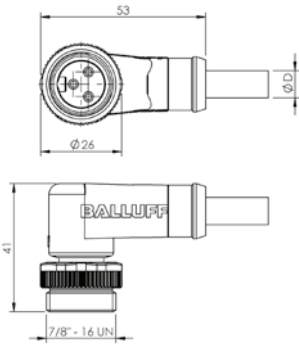
BCC A313-0000-10-097-PX03A5-...
BCC A313-0000-10-071-VX43W6-...



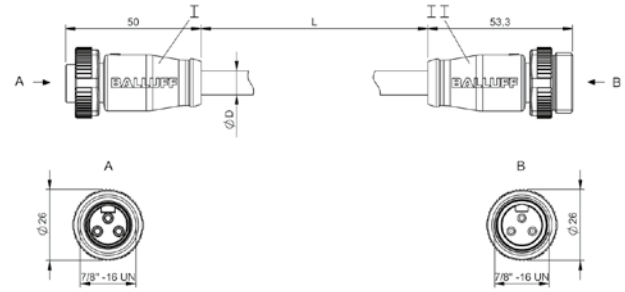
BCC A313-0000-20-071-VX43W6-...



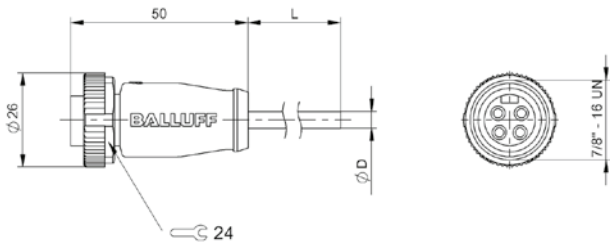
BCC A323-0000-10-097-PX03A5-...
BCC A323-0000-10-071-VX43W6-...



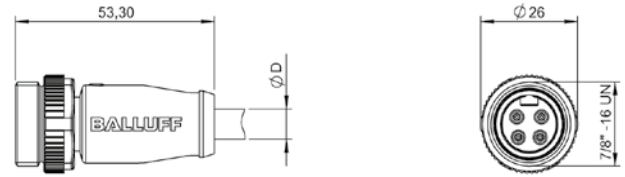
BCC A323-0000-20-071-VX43W6-...



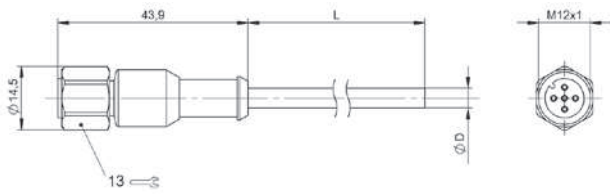
BCC A313-A313-30-365-PX03A5-...



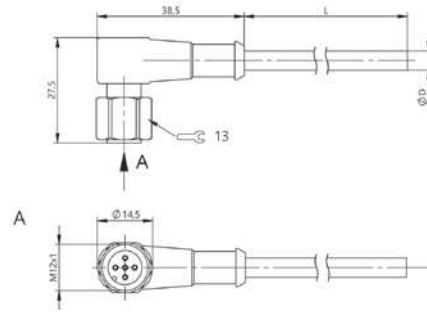
BCC A314-0000-10-003-...



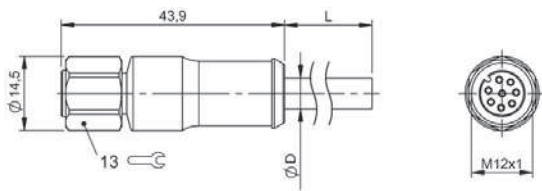
BCC A314-0000-20-003-...



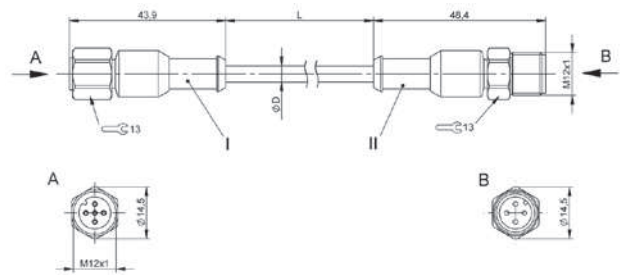
BCC S4B5-0000-1A-003-YX8434-...
 BCC S4B5-0000-1A-017-YX8534-...
 BCC S4B5-0000-1A-034-YX8534-...



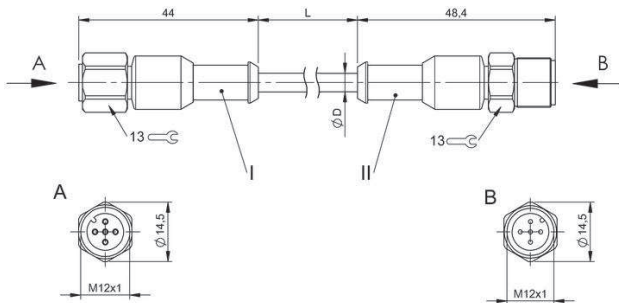
BCC S4C5-0000-1A-003-YX8434-...
 BCC S4B5-0000-1A-017-YX8534-...



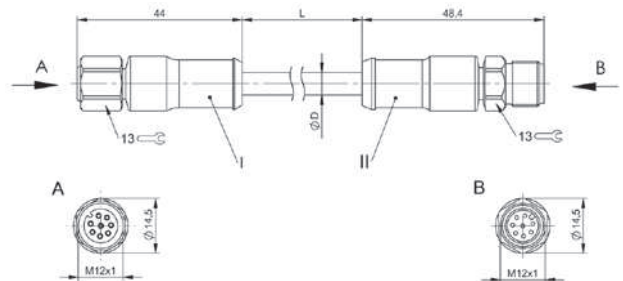
BCC S4B8-0000-1A-045-YX8825-...



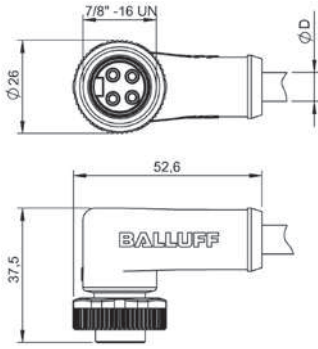
BCC S4B5-S4B4-3A-304-YX8434-...



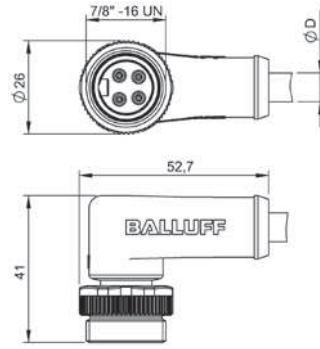
BCC S4B5-S4B5-3A-313-YX8534-...



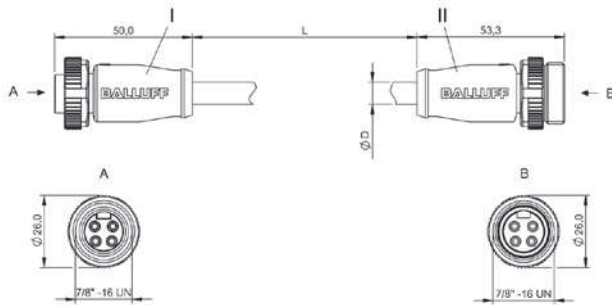
BCC S4B8-S4B8-3A-321-YX8825-...



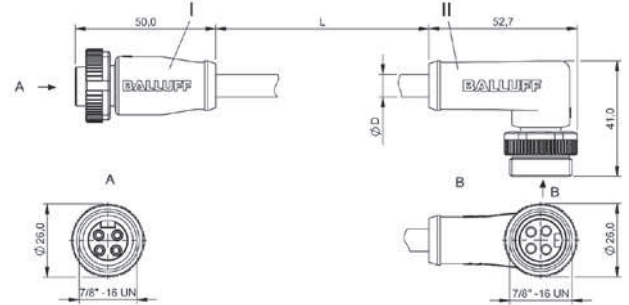
BCC A324-0000-10-003-...



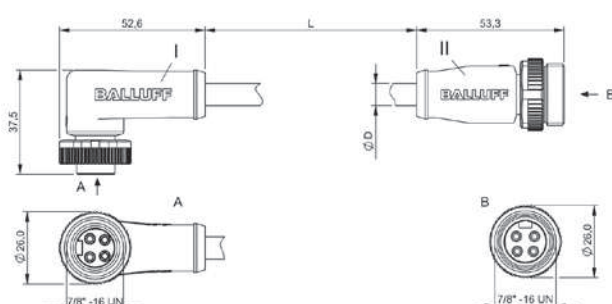
BCC A324-0000-20-003-...



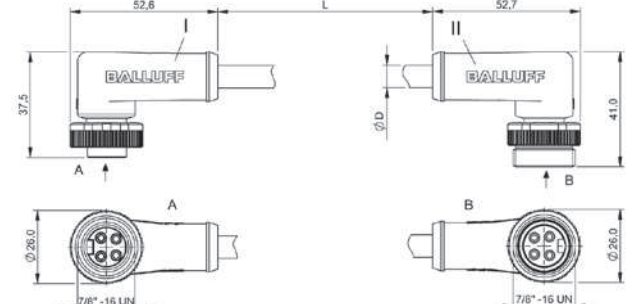
BCC A314-A314-30-304-...



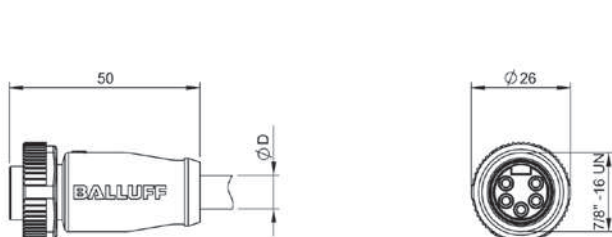
BCC A314-A324-30-304-...



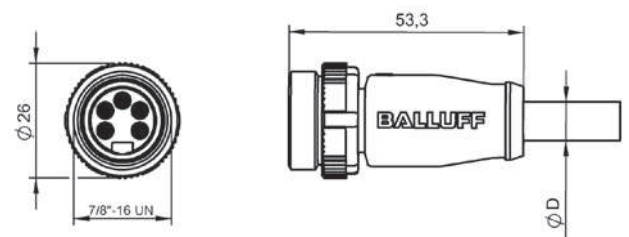
BCC A324-A314-30-304-...



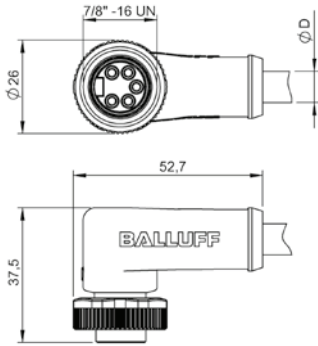
BCC A324-A324-30-304-...



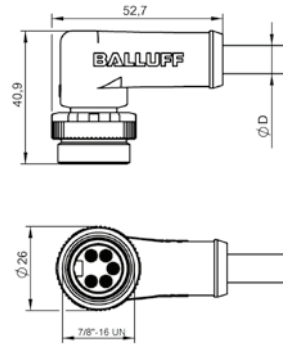
BCC A315-0000-10-063-...



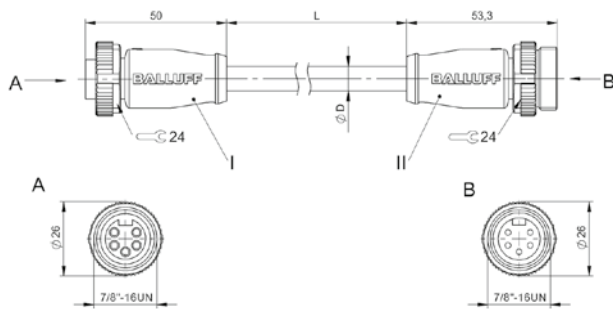
BCC A315-0000-20-063-...



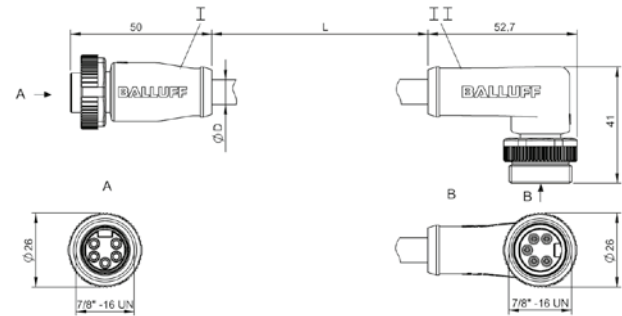
BCC A325-0000-10-063-...



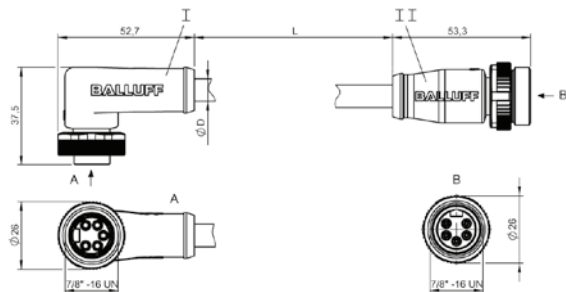
BCC A325-0000-20-063-...



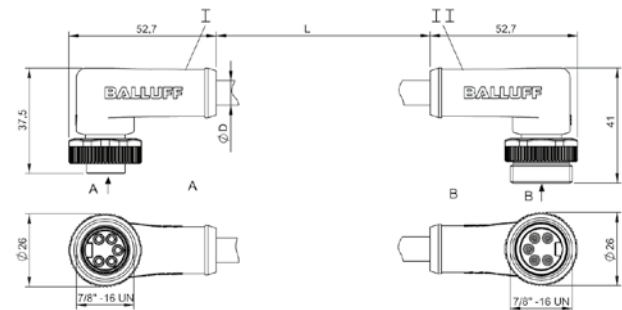
BCC A315-A315-30-335-...



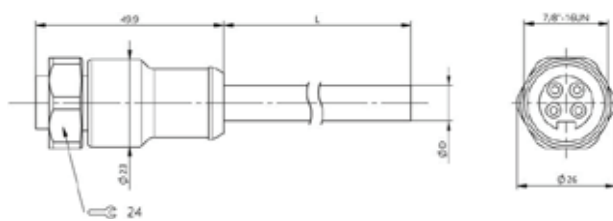
BCC A315-A325-30-335-...



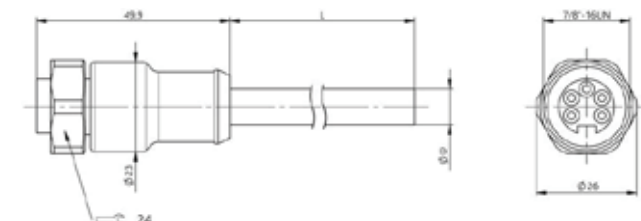
BCC A325-A315-30-335-...



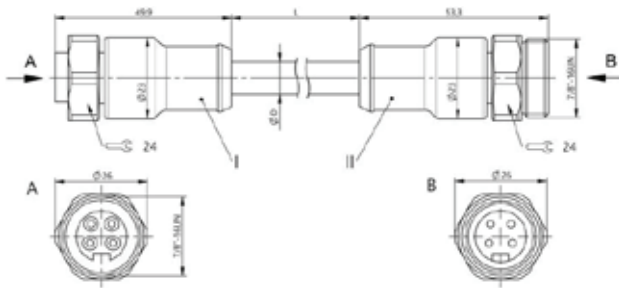
BCC A325-A325-30-335-...



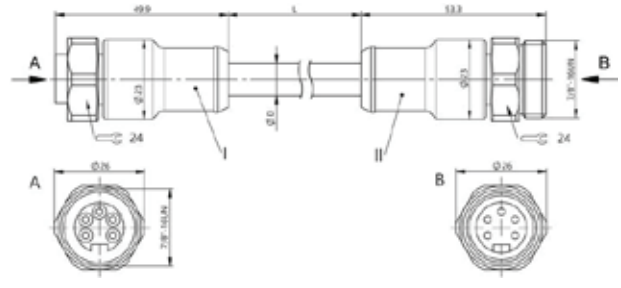
BCC C3B4-0000-10-003-YX84A5...



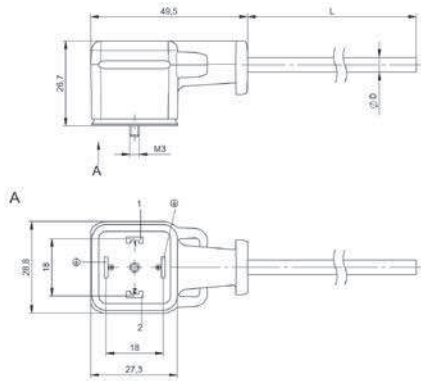
BCC C3B5-0000-10-063-YX85A5...



BCC C3B4-C3B4-30-304-YX84A5...

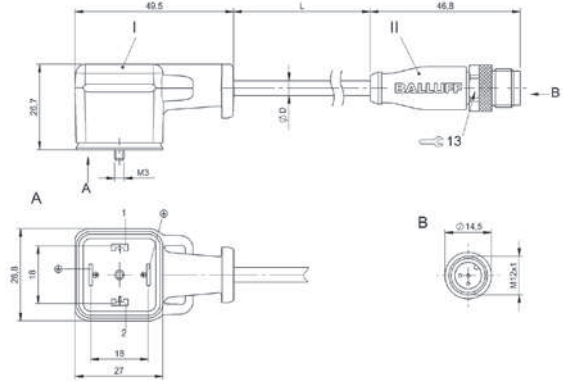


BCC C3B5-C3B5-30-335-YX85A5...

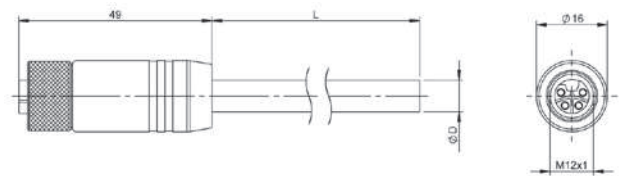


BCC VA04-0000-10-054...

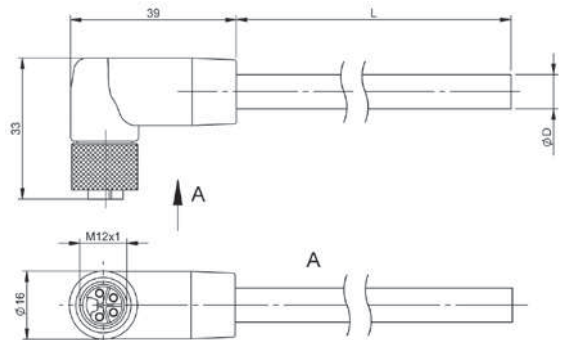
BCC VA04-0000-10-053...



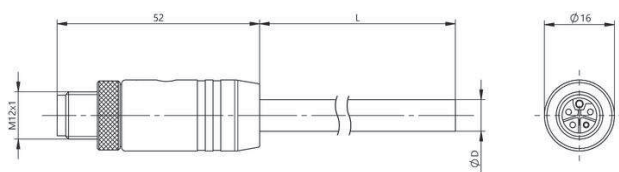
BCC VA04-M413-3E-664...



BCC M414-0000-1L-003-PX04A5...

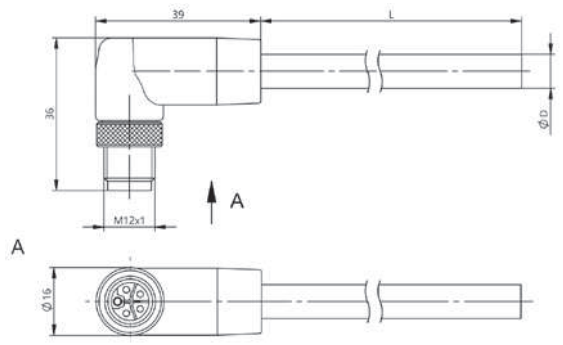


BCC M424-0000-1L-003-PX04A5...



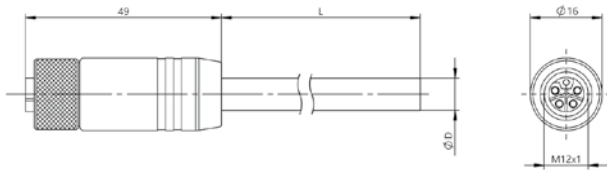
BCC M415-0000-2L-003-PX04A5...

BCC M415-0000-2L-150-PX85A5...

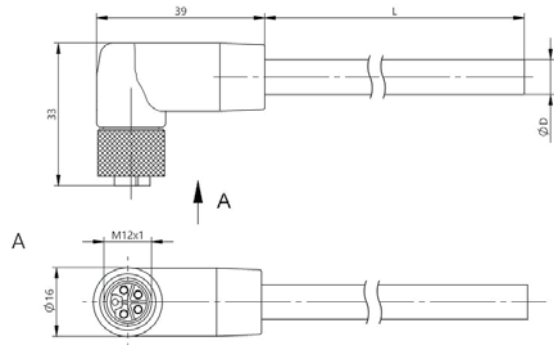


BCC M425-0000-2L-003-PX04A5...

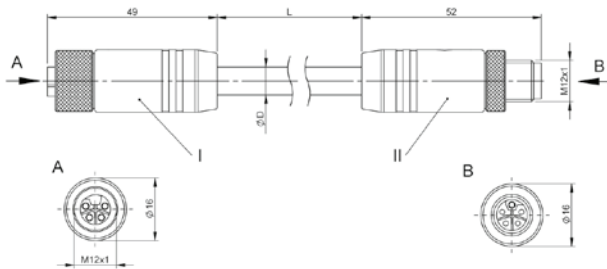
BCC M425-0000-2L-150-PX85A5...



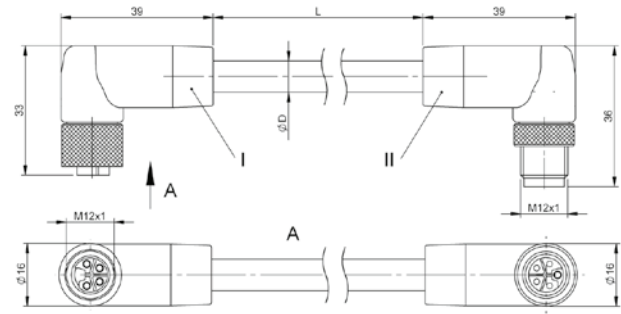
BCC M415-0000-1L-150-PX85A5...



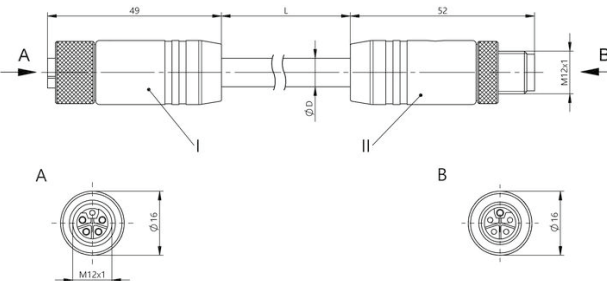
BCC M425-0000-1L-150-PX85A5...



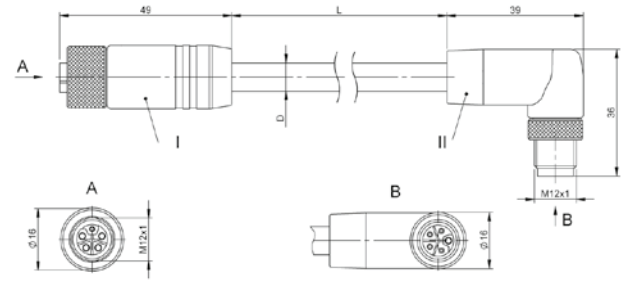
BCC M414-M415-3L-304-PX04A5...



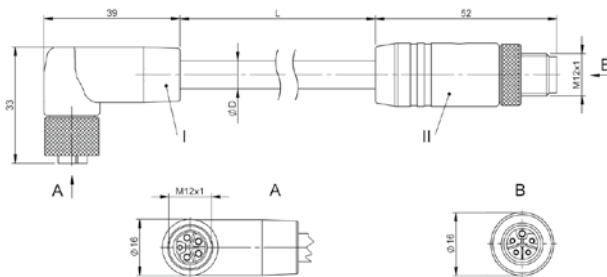
BCC M424-M425-3L-304-PX04A5...



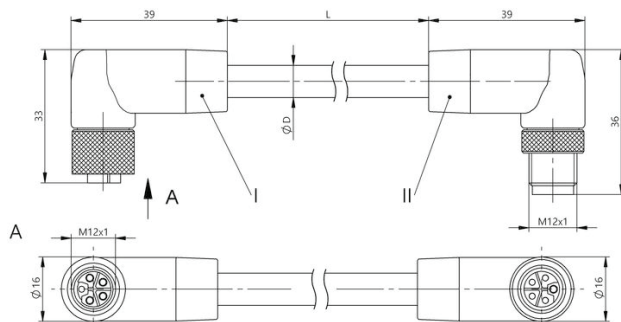
BCC M415-M415-3L-386-PX85A5...



BCC M415-M425-3L-386-PX85A5...

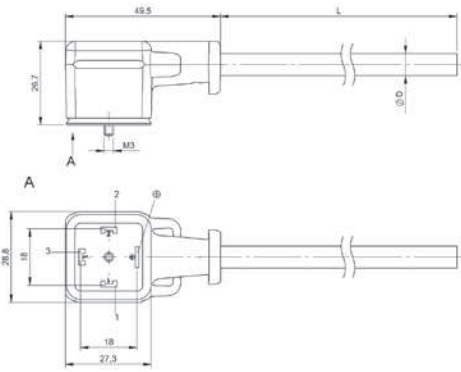


BCC M425-M415-3L-386-PX85A5...

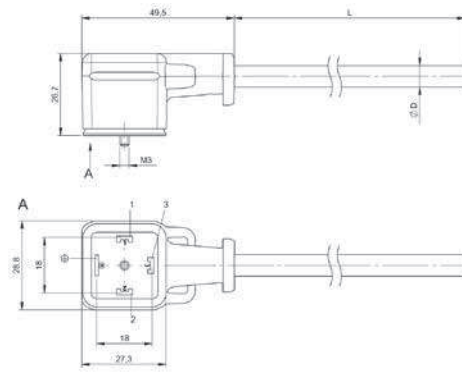


BCC M425-M425-3L-386-PX85A5...

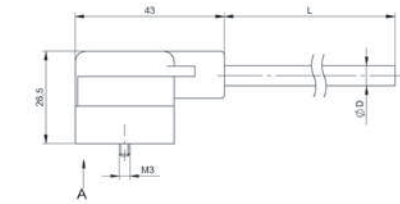
170 | Connectivity | Valve Connectors



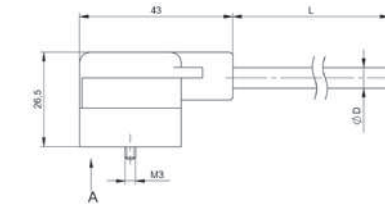
BCC PA04-0000-10-070-PX0550-...



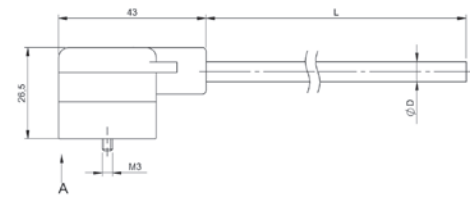
BCC PA24-0000-10-070-PX0550-...



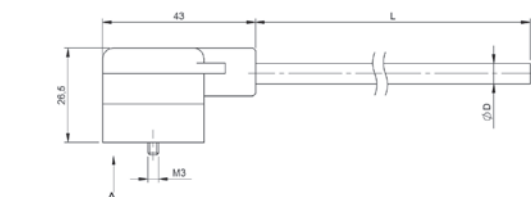
BCC VB03-0000-10-055-...



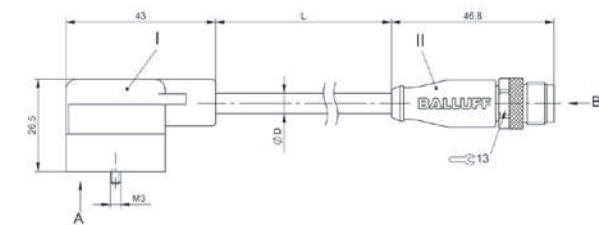
BCC VB23-0000-10-055-...



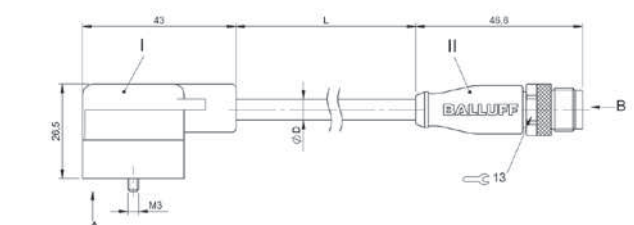
BCC VB43-0000-10-055-...



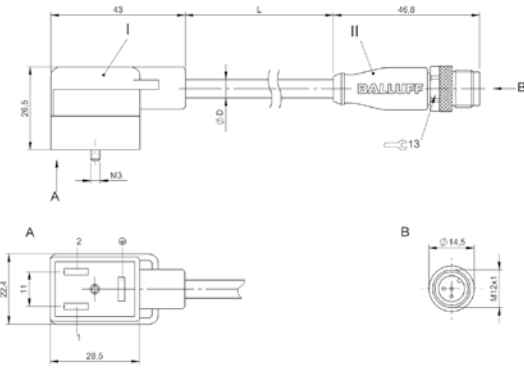
BCC VB63-0000-10-055-...



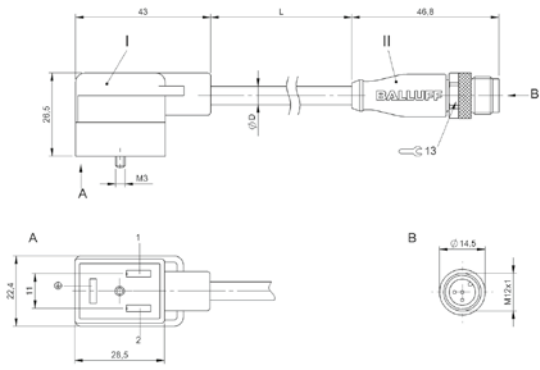
BCC VB03-M413-3E-666-PX0350-...



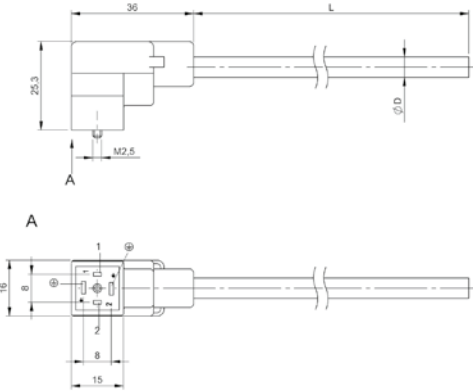
BCC VB23-M413-3E-666-PX0350-...



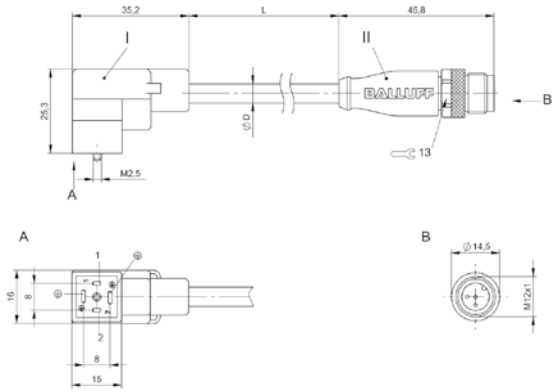
BCC VB43-M413-3E-666-PX0350-...



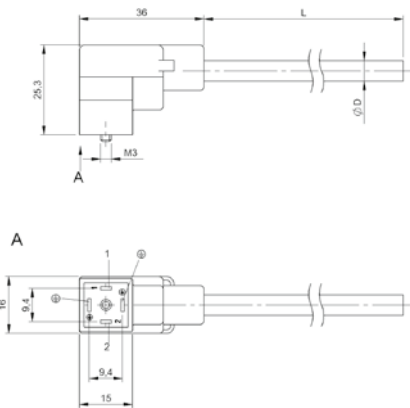
BCC VB63-M413-3E-666-PX0350-...



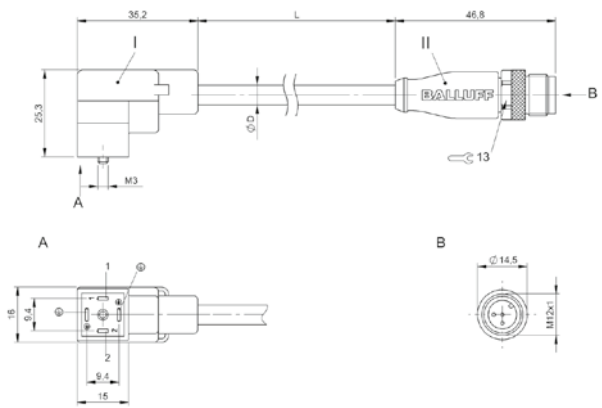
BCC VC04-0000-10-053-...



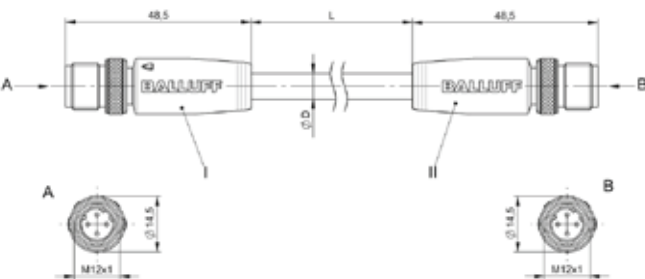
BCC VC04-M413-3E-664-PX0350-...



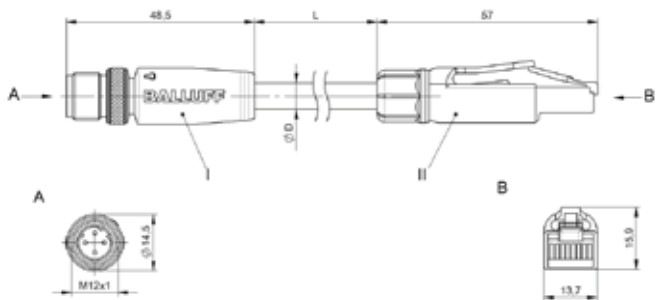
BCC VC44-0000-10-053-...



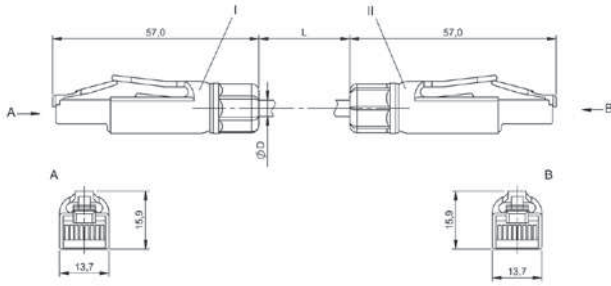
BCC VC44-M413-3E-664-PX0350-...



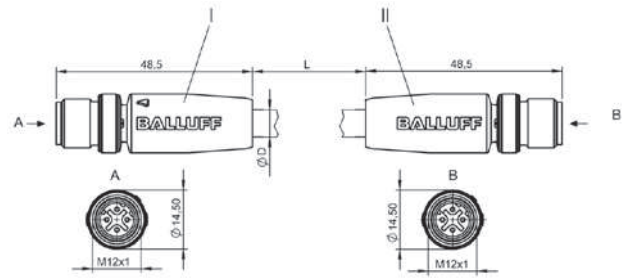
BCC M414-M414-6D-331-PS54N2-...



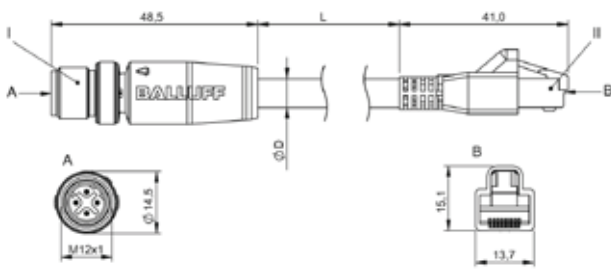
BCC M414-E834-8G-668-PS54N2-...



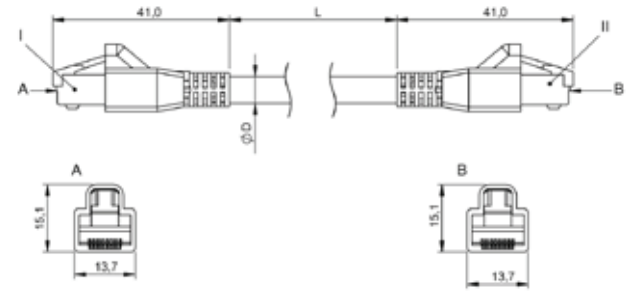
BCC E834-E834-90-334-PS54N2-...



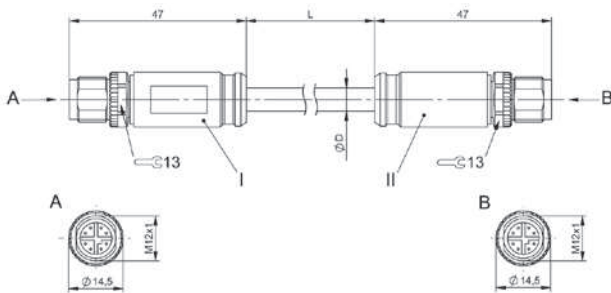
BCC M414-M414-6D-338-ES64N9-...



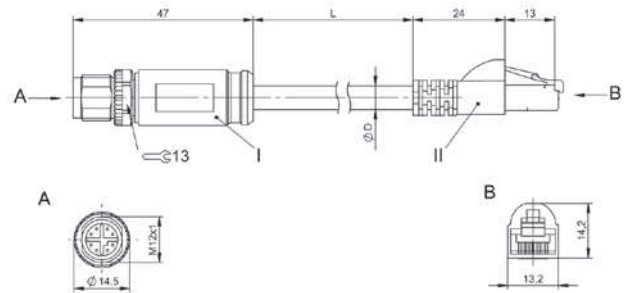
BCC M414-E894-8G-672-ES64N9-...



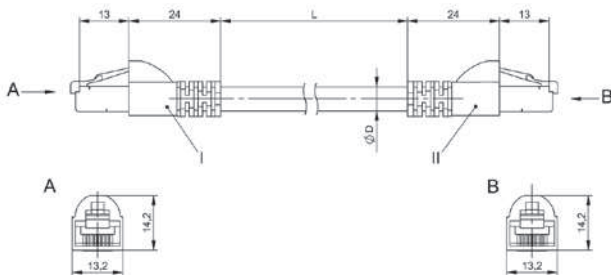
BCC E894-E894-90-339-ES64N9-...



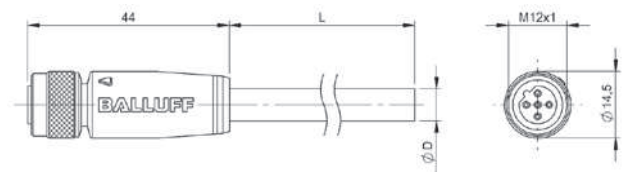
BCC M418-M418-6X-378-PS58N9-...



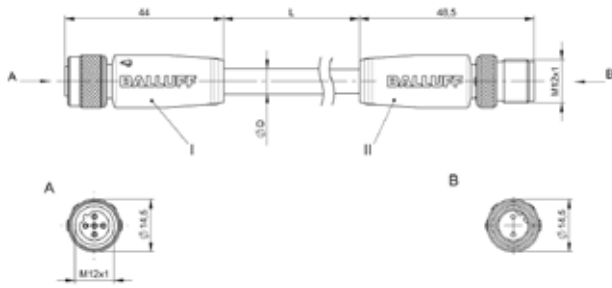
BCC M418-E818-8X0-723-PS58N9-...



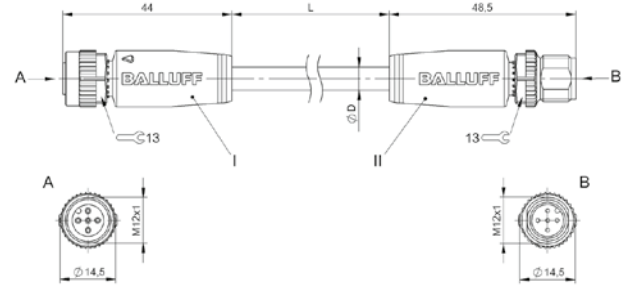
BCC E818-E818-90-377-PS58N9-...



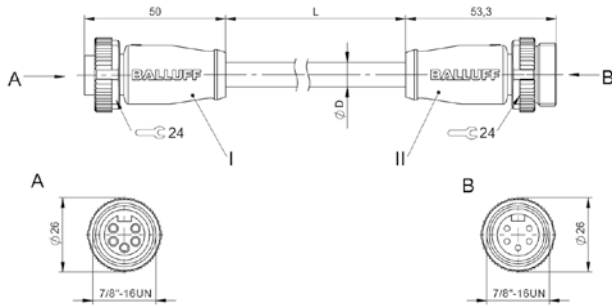
BCC M415-0000-1B-031-PS72N1-...



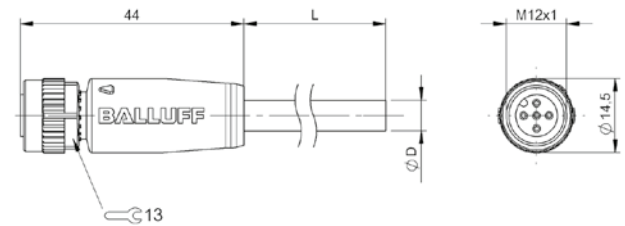
BCC M415-M412-3B-329-PS72N1-...



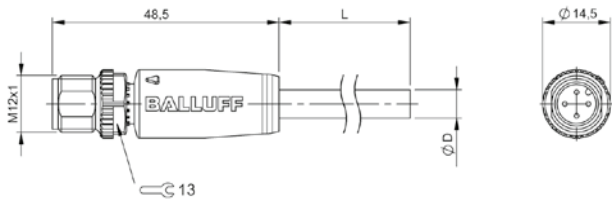
BCC M415-M415-3A-330-...



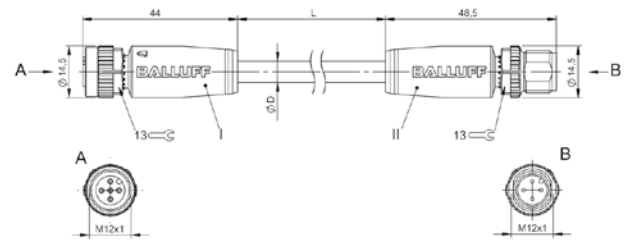
BCC A315-A315-30-330-...



BCC M415-0000-1A-068-VS24N7-...



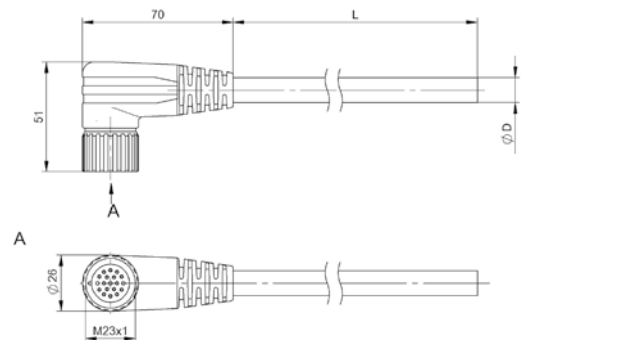
BCC M414-0000-2A-068-VS24N7-...



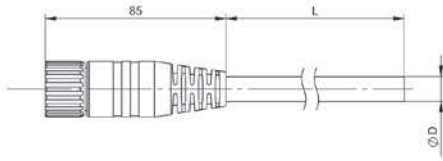
BCC M415-M414-3A-337-VS24N7-...



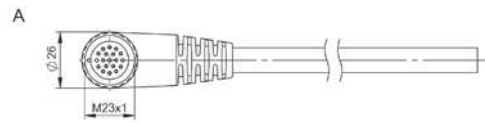
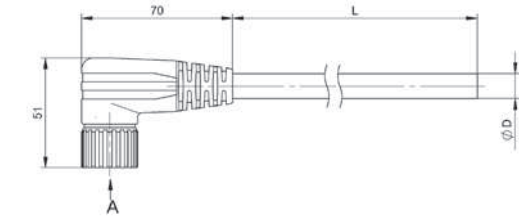
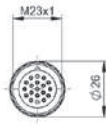
BCC M61C-0000-10-065-PX0BP4-...



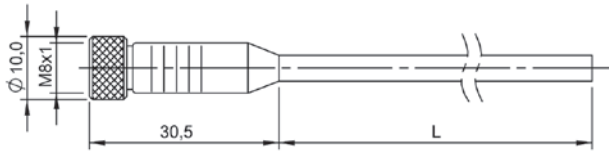
BCC M62C-0000-10-065-PX0BP4-...



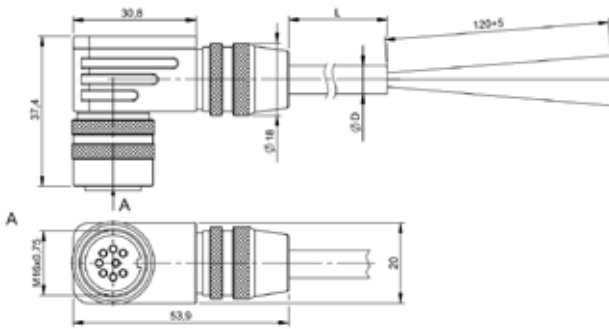
BCC M61L-0000-10-022-PX0LP4-...



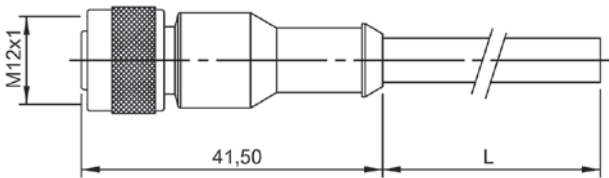
BCC M62L-0000-10-022-PX0LP4-...



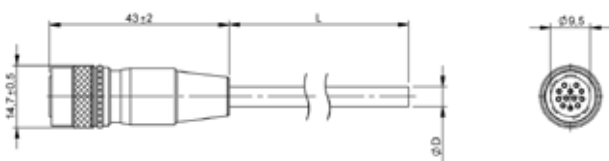
BCC0069, BCC006A, BCC006C



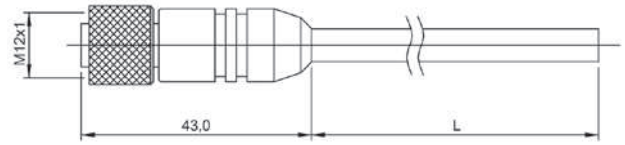
, BCC00UR, BCC00UU, BCC00UW



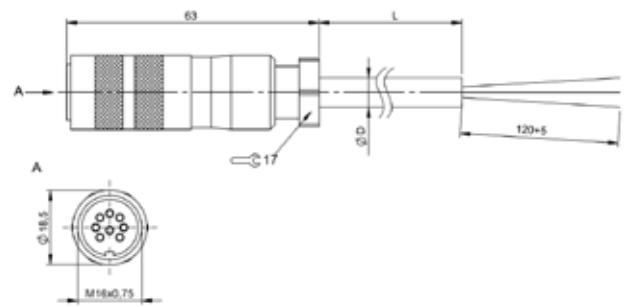
BCC00YE, BCC00YF, BCC00YH



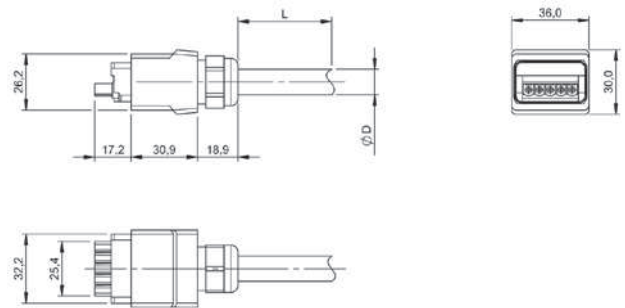
BCC0KL6, BCC0KL7, BCC0KL8



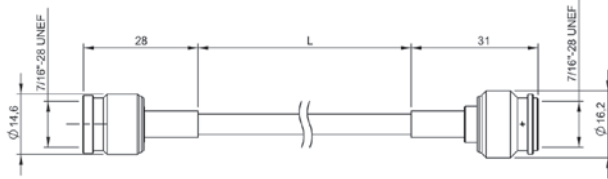
BCC0098, BCC0099, BCC009A



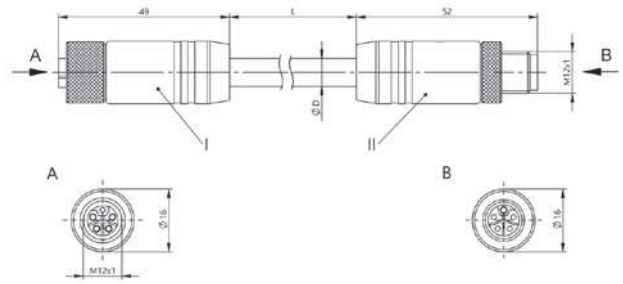
BCC00TU, BCC00TY, BCC00TZ



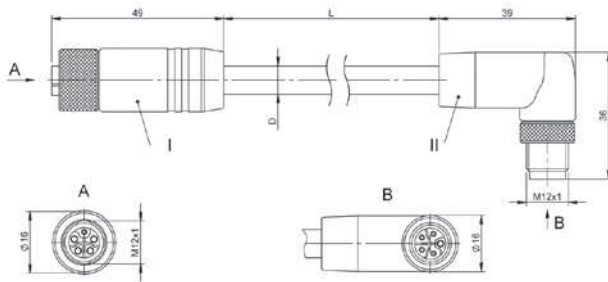
BCC0F4J, BCC0F4K, BCC0F4L



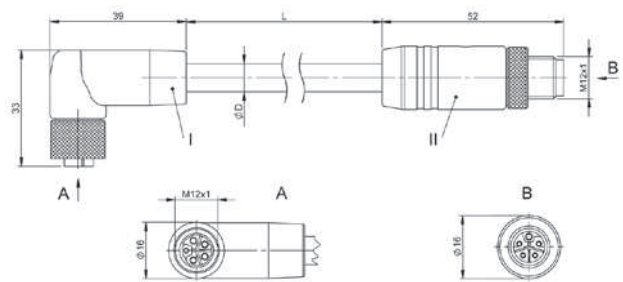
BAM01HL, BAM01HM, BAM01YR, BAM01HN, BAM01HP, BAM01WN, BAM01WP



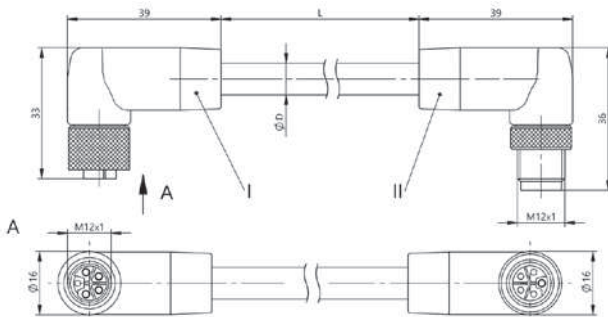
BCCOL2Y, BCCOL2Z, BCCOL30, BCCOL31, BCCOL32



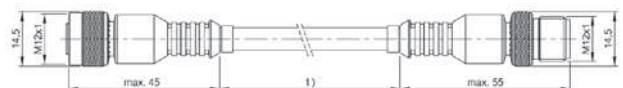
BCCOL3H, BCCOL3J, BCCOL3K, BCCOL3L, BCCOL3M



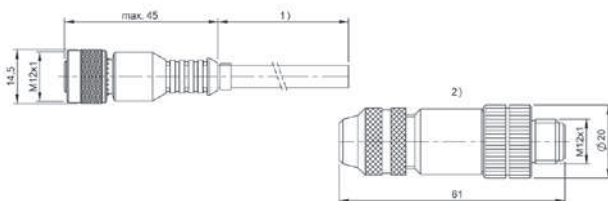
BCCOL3N, BCCOL3P, BCCOL3R, BCCOL3T, BCCOL3U



BCCOL33, BCCOL34, BCCOL35, BCCOL36, BCCOL37



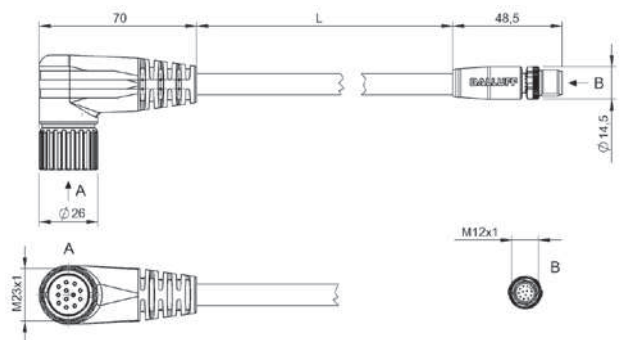
1) Cable length see text



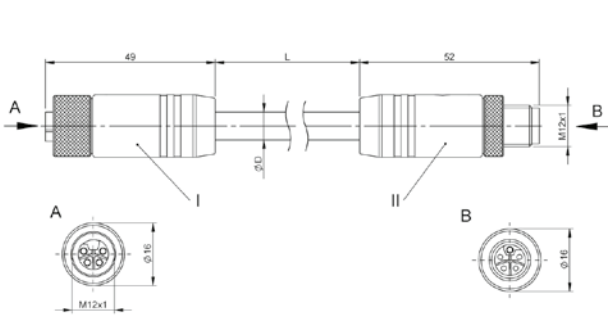
1) Cable length see text, 2) Connector included

BCC00R9, BCC00RC

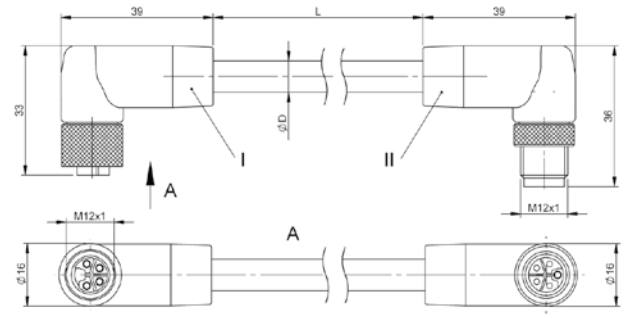
BCC00R8, BCC00RA



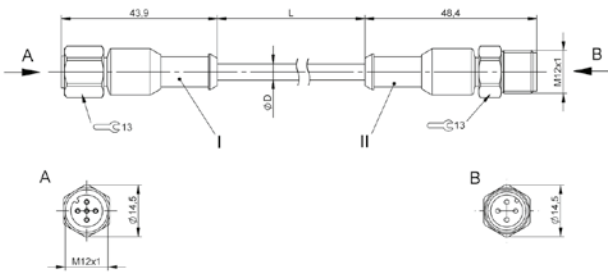
BCC088T, BCC088U



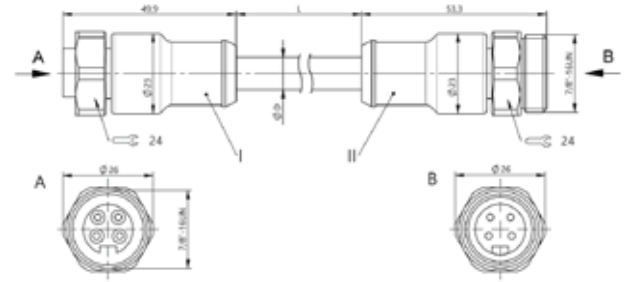
BCCOLUK, BCCOLUL, BCCOLUM, BCCOLUN, BCCOLUP



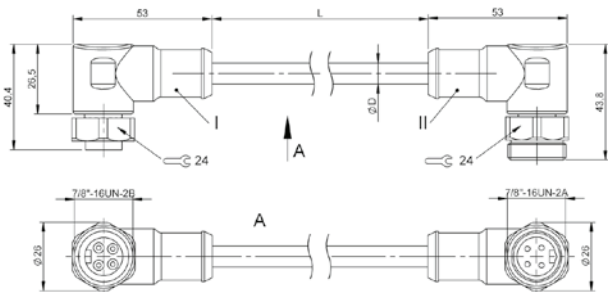
BCCOLW0, BCCOLW1, BCCOLW2, BCCOLW3, BCCOLW4



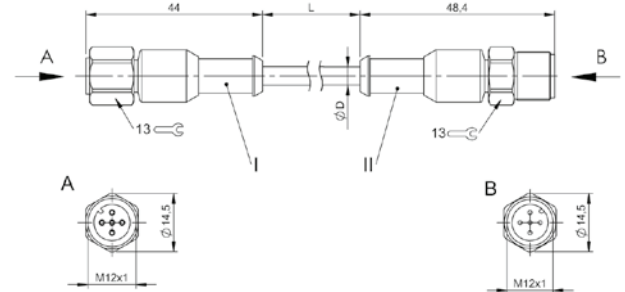
BCCOJRY, BCCOKT3, BCCOJRZ, BCCOKRM, BCCOJT0, BCCOJT1, BCCOJT2, BCCOJT3



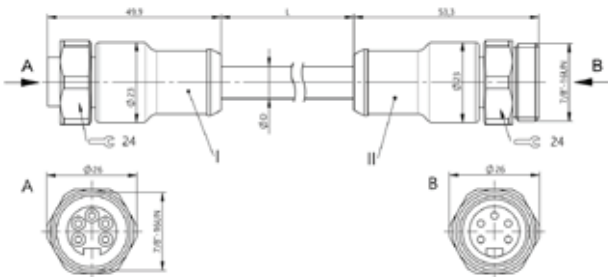
BCCOJTP, BCCOJTR, BCCOJTT, BCCOJTU, BCCOJTW, BCCOJTY



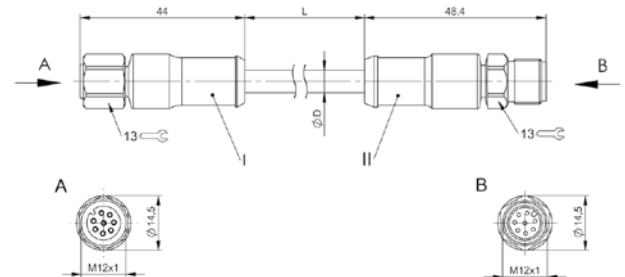
BCCOLNE, BCCOLNF



BCCOJT4, BCCOJT5, BCCOJT6, BCCOJT7, BCCOJT8, BCCOJT9

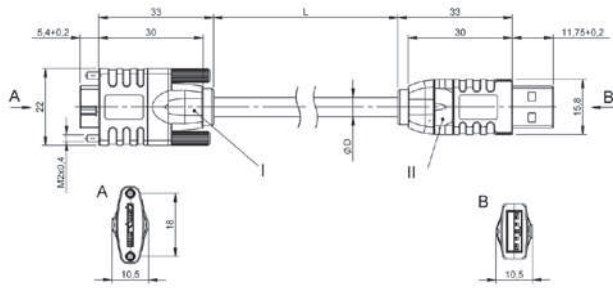


BCCOJTZ, BCCOJU0, BCCOJU1, BCCOJU2, BCCOJU3, BCCOJU4

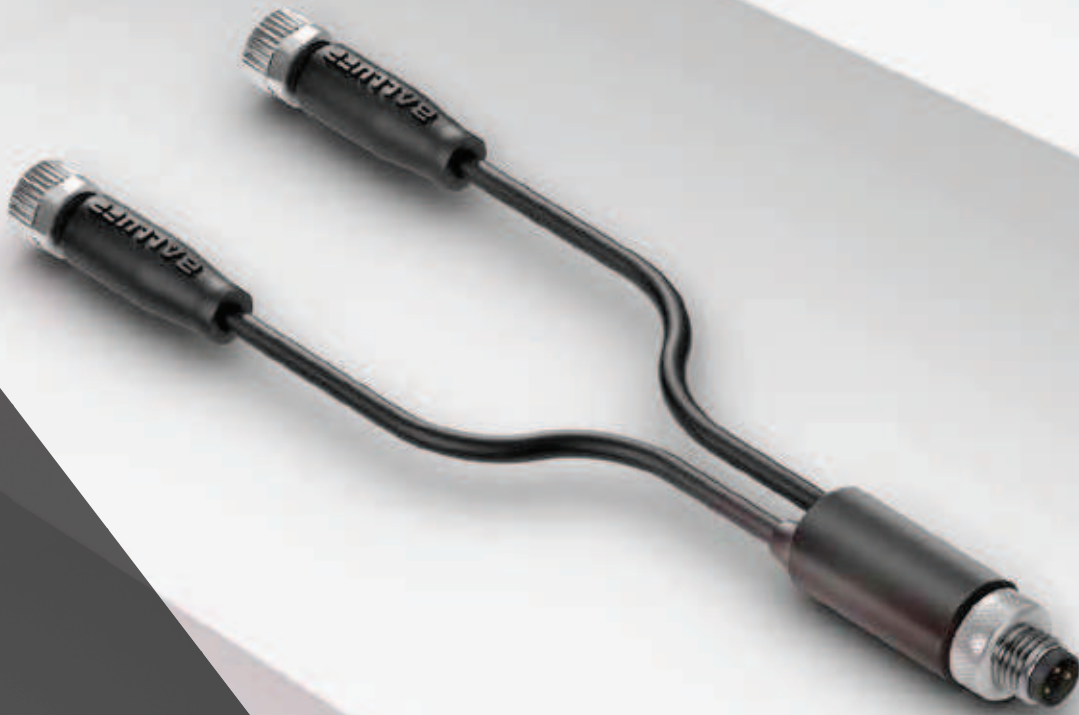


BCCOJW3, BCCOJW4, BCCOJW5, BCCOJW6, BCCOJW7

180 | Connectivity | Double-Ended Cordsets



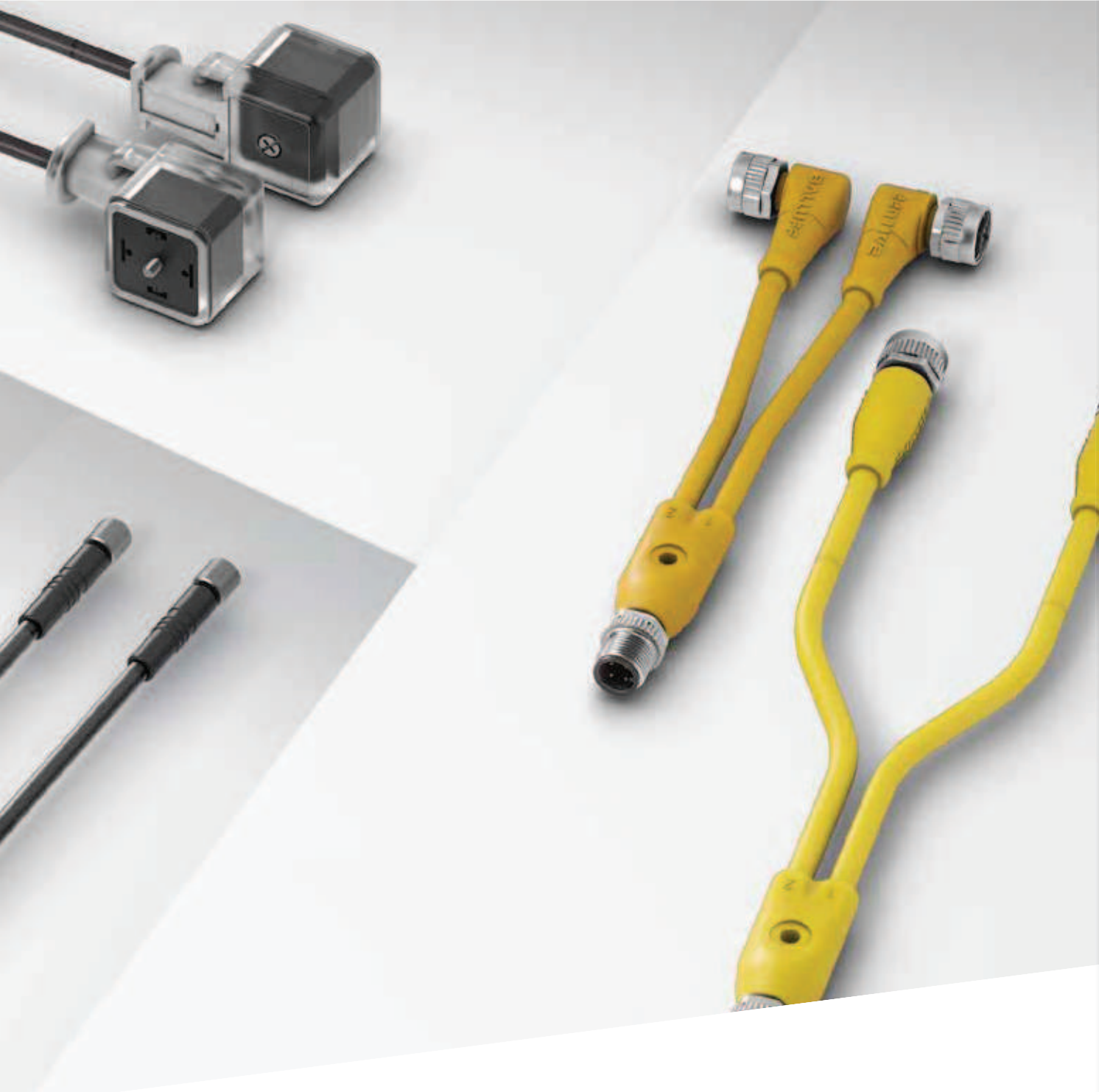
BCC0KL9, BCC0KLA, BCC0KLC



Robust splitters for rapid,
reliable connections

Y-SPLITTERS





With our Y-splitters, you can collect, connect and split two signals in the field. Our comprehensive program offers robust and industrial-grade Y-splitters with various designs. All splitters ensure a rapid and reliable connection.

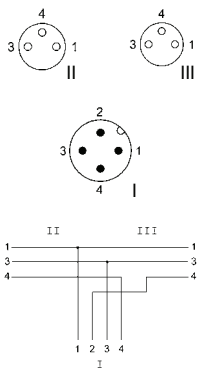
The most important benefits

- Connecting different lines
- Comprehensive product range
- Various designs
- Reliable and rapid connection
- High dust and water protection
- Robust and industrial grade

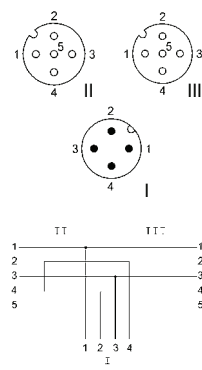


		BCC M414-M313-M313 ...
Connection		M12 male, A-coded/ M8 female, A-coded/ M8 female, A-coded
Version		straight/straight/straight
Rated voltage		60 V AC/DC
Rated current		4 A
Degree of protection		IP67/IP67, IP69K/IP67, IP69K
PUR, black		BCC M414-M313-M313-U2026-__ _@
PVC, yellow		BCC M414-M313-M313-U2012-__ _@
TPE, yellow		-
Approval/Conformity		CE, EAC
For drawing see page		182

**M12 male/
M8 female/
M8 female**



**M12 male/
M12 female/
M12 female**





BCC M414-M323-M323 ...	BCC M414-M415-M415 ...	BCC M414-M425-M425 ...
M12 male, A-coded/ M8 female, A-coded/ M8 female, A-coded	M12 male, A-coded/ M12 female, A-coded/ M12 female, A-coded	M12 male, A-coded/ M12 female, A-coded/ M12 female, A-coded
straight/angled/angled	straight/straight/straight	straight/angled/angled
60 V AC/DC	250 V AC/DC	250 V AC/DC
4 A	4 A	4 A
IP67/IP67, IP69K/IP67, IP69K	IP67/IP67, IP68, IP69K/IP67, IP68, IP69K	IP67/IP67, IP68, IP69K/IP67, IP68, IP69K
–	BCC M414-M415-M415-U2028-__ _②	BCC M414-M425-M425-U2028-__ _②
BCC M414-M323-M323-U2012-__ _②	BCC M414-M415-M415-U2010-__ _②	BCC M414-M425-M425-U2010-__ _②
–	BCC M414-M415-M415-U2002-__ _②	BCC M414-M425-M425-U2002-__ _②
CE, EAC	EAC	EAC
182	182	182

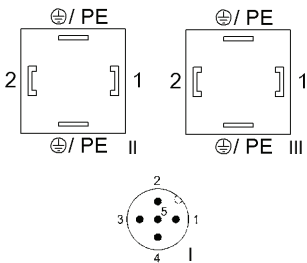
Material	Color	Number of conductors x conductor cross-section	Cable temperature fixed in place	Cable temperature flexed
UNSHIELDED				
PUR	Black	3 x 0.34 mm ²	-50...+90 °C	-25...+90 °C
PVC	Yellow	3 x AWG22	-40...+105 °C	-5...+105 °C
TPE	Yellow	3 x AWG22	-50...+90 °C	-25...+105 °C

②	Cable length
003	0.3 m
006	0.6 m
010	1 m
020	2 m
050	5 m

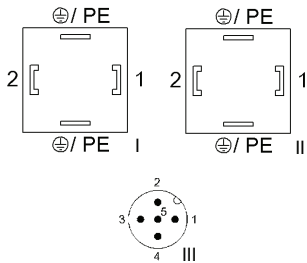
Other cable lengths on request!

Connection	
Version	
Rated voltage	No LED with LED
Rated current	
Degree of protection	
No protection circuit, no LED	
With suppressor diode, with PNP-LED	
Approval/Conformity	
For drawing see page	

**M12 male/
DIN A, 18 mm/
DIN A, 18 mm**



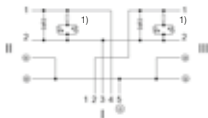
**DIN A, 18 mm/
DIN A, 18 mm/
M12 male**



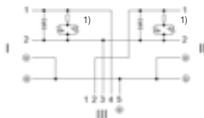
**No protection circuit,
no LED**



**With suppressor diode,
with PNP-LED***



**With suppressor diode,
with PNP-LED***



* ¹⁾ LED yellow

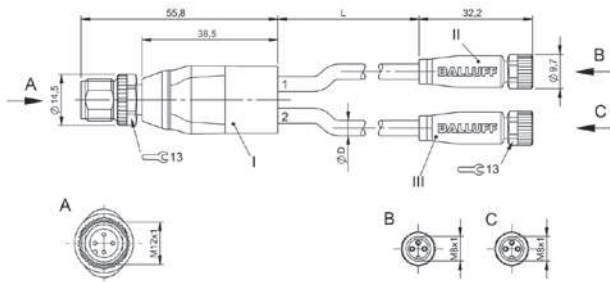


BCC M415-VA04-VA04 ...	BCC VA04-VA04-M415 ...
M12 male, A-coded/ DIN A, 18 mm, 0°/180°, female/ DIN A, 18 mm, 0°/180°, female	DIN A, 18 mm, 0°/180°, female/ DIN A, 18 mm, 0°/180°, female/ M12 male, A-coded
straight/angled/angled	angled/angled/straight
60 V AC/DC	–
30 V AC/DC	30 V AC/DC
4 A	4 A
IP67/IP67/IP67	IP67/IP67/IP67
BCC M415-VA04-VA04-U2005-__ _②	–
BCC M415-VA04-VA04-U2004-__ _②	BCC VA04-VA04-M415-T4075-__ _②
CE, EAC	CE, EAC
182	183

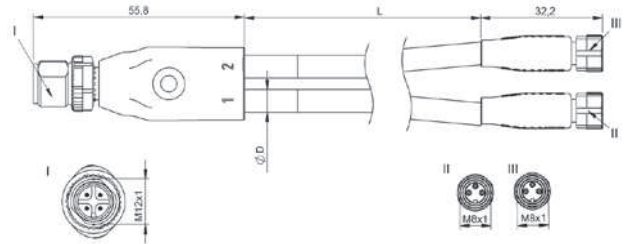
Material	Color	Number of conductors × conductor cross-section	Cable temperature fixed in place	Cable temperature flexed
UNSHIELDED				
PUR	Black	3 × 0.5 mm ²	–50...–80 °C	–25...+80 °C

②	Cable length
BCC M415-VA04-VA04 ...	
005	0.5 m
010	1 m
BCC VA04-VA04-M415 ...	
002	0.2 m
004	0.4 m

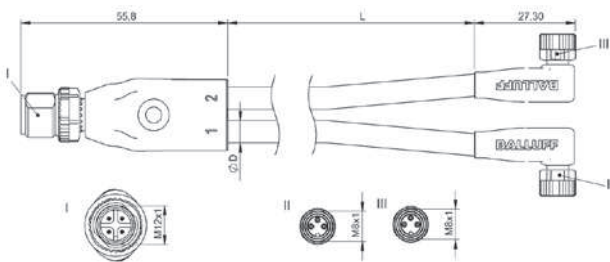
Other cable lengths on request!



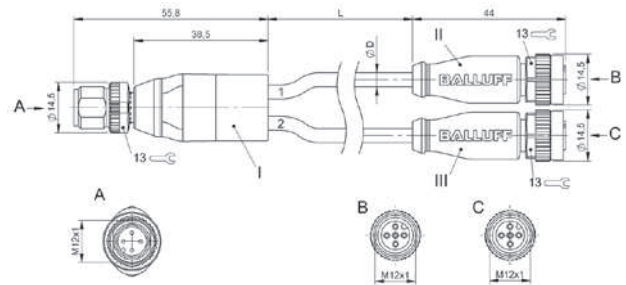
BCC M414-M313-M313-U2026...



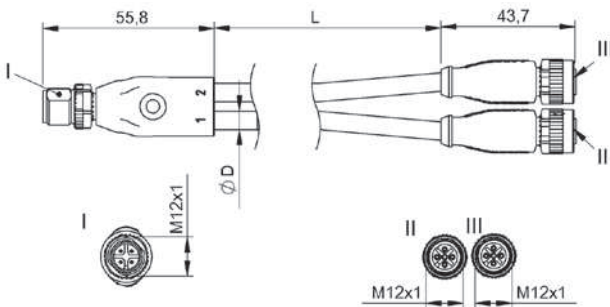
BCC M414-M313-M313-U2012...



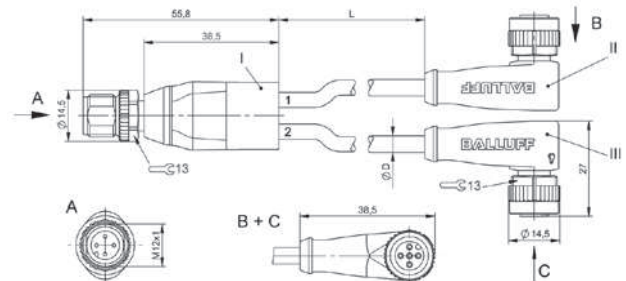
BCC M414-M323-M323-U2012...



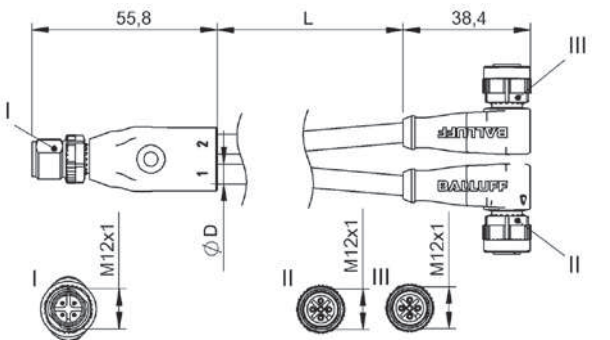
BCC M414-M415-M415-U2028...



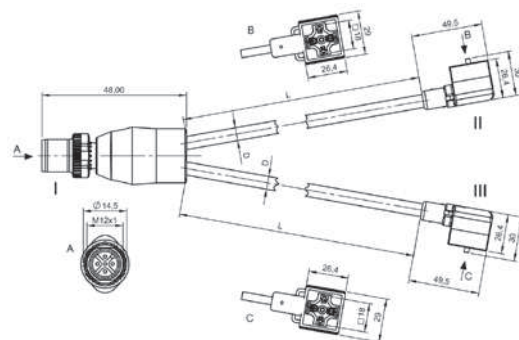
BCC M414-M415-M415-U2010...
BCC M414-M415-M415-U2002...



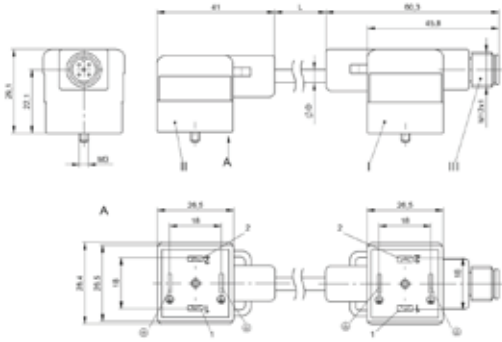
BCC M414-M425-M425-U2028...



BCC M414-M425-M425-U2010...
BCC M414-M425-M425-U2002...



BCC M415-VA04-VA04-U2004...
BCC M415-VA04-VA04-U2005...



BCC VA04-VA04-M415-T4075-...



Splitters without wires
ensure secure connection

TEES



For reliable gathering, connecting and distributing two signals Balluff provides a wide range of tees. Our solutions are distinguished by their small, narrow and compact design and are available in different form factors.

Our wide product offering includes tees with M8, M12 and 7/8" connection, which are appropriate for 3-, 4- and 5-wire cables. Different protective circuits and variants without, with one or with two mounting holes offer you great flexibility.

The most important benefits

- Small, narrow and compact
- Extensive product range with various designs
- For reliable, fast connecting
- Robust and industrial grade
- Resistant to shocks and vibration
- Protection type IP67, optional IP68
- High-quality materials
- Bright LEDs
- Flexibly applicable – various wirings, variants without, with one or with two mounting holes



	BCC0AA5 BCC A313-A313-A313-T0021-000	
Connection 1	7/8"-16 UN-Female, 3-pole	
Connection 2	7/8"-16 UN-Female, 3-pole	
Connection 3	7/8"-16 UN-Male, 3-pole	
Operating voltage U _b	300 VDC / 300 VAC	
Rated current (40 °C)	9.0 A	
Protection degree	IP67	
Ambient temperature	-25...80 °C	
Approval/Conformity	EAC	
Productview	Page 196	



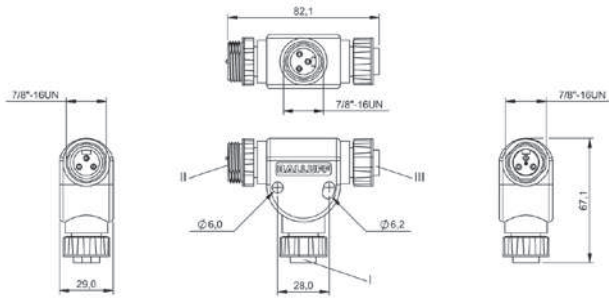
BCC0AA6 BCC A314-A314-A314-T0022-000	BCC0AA7 BCC A315-A315-A315-T0023-000	BCC0F5C BCC M314-M313-M313-U0056-000
7/8"-16 UN-Female, 4-pole	7/8"-16 UN-Female, 5-pole	M8x1-Male, 4-pole, A-coded
7/8"-16 UN-Female, 4-pole	7/8"-16 UN-Female, 5-pole	M8x1-Female, 3-pole, A-coded
7/8"-16 UN-Male, 4-pole	7/8"-16 UN-Male, 5-pole	M8x1-Female, 3-pole, A-coded
300 VDC / 300 VAC	300 VDC / 300 VAC	60 VDC / 60 VAC
9.0 A	9.0 A	4.0 A
IP67	IP67	IP68
-25...80 °C	-25...80 °C	-25...85 °C
EAC	EAC	EAC
Page 196	Page 196	Page 196



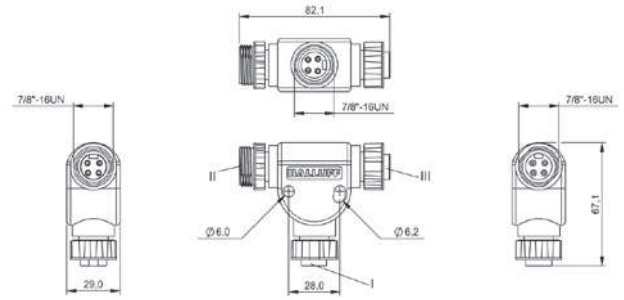
	BCC09JC BCC M415-M313-M313-U0014-000	
Connection 1	M12x1-Male, 4-pole, A-coded	
Connection 2	M8x1-Female, 3-pole, A-coded	
Connection 3	M8x1-Female, 3-pole, A-coded	
Operating voltage U_b	60 VDC / 60 VAC	
Rated current (40 °C)	4.0 A	
Protection degree	IP67	
Ambient temperature	-25...80 °C	
Approval/Conformity	EAC	
Productview	Page 196	



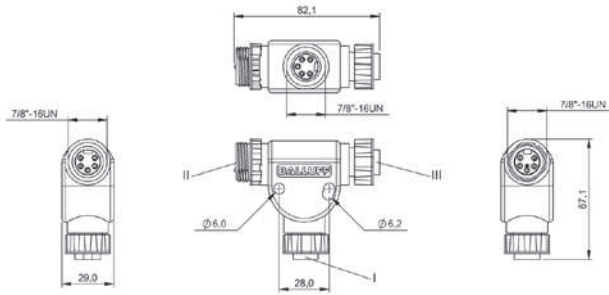
	BCC089P BCC M415-M415-M415-U0003-000	BCC08CA BCC M415-M415-M415-U0007-000	BCC09MU BCC M415-M415-M415-U0016-000
	M12x1-Male, 5-pole, A-coded	M12x1-Female, 5-pole, A-coded	M12x1-Male, 5-pole, A-coded
	M12x1-Female, 4-pole, A-coded	M12x1-Male, 5-pole, A-coded	M12x1-Female, 5-pole, A-coded
	M12x1-Female, 4-pole, A-coded	M12x1-Female, 5-pole, A-coded	M12x1-Female, 5-pole, A-coded
	125 VDC / 125 VAC	60 VDC / 60 VAC	125 VDC / 125 VAC
	4.0 A	4.0 A	4.0 A
	IP67	IP67	IP67
	-25...80 °C	-25...90 °C	-20...80 °C
	cURus, EAC	EAC	cURus, EAC
	Page 196	Page 196	Page 196



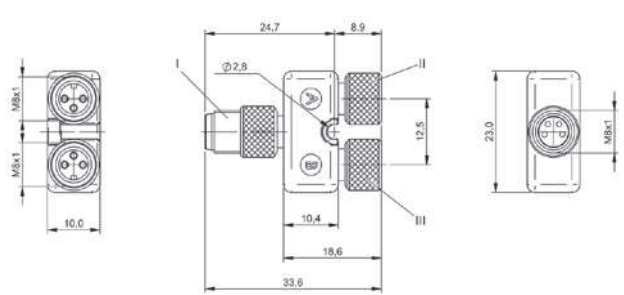
BCC0AA5



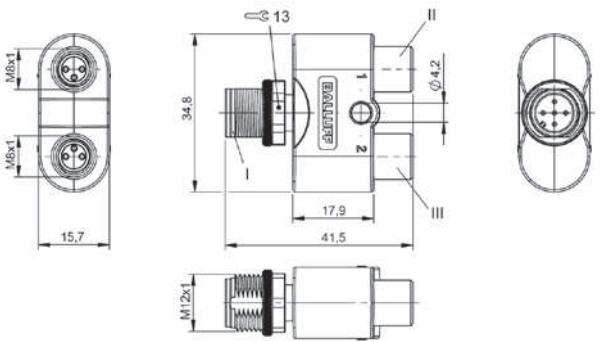
BCC0AA6



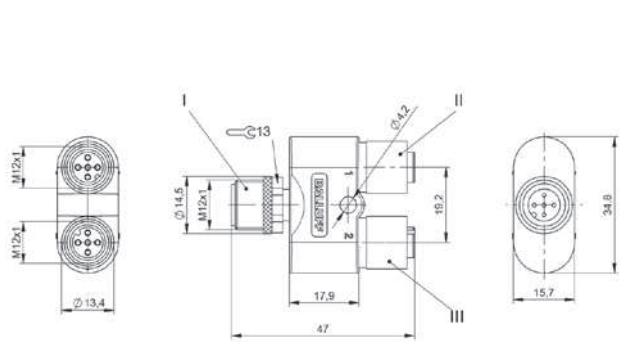
BCC0AA7



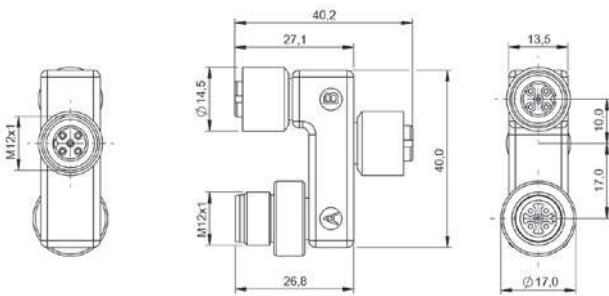
BCC0F5C



BCC09JC



BCC089P, BCC09MU



BCC08CA



The right connector for every industry

FIELD ATTACHABLES



Balluff offers you an extensive product range of field attachables for the secure transmission of signals, data and power. From various designs and housing materials, you can select exactly the product that fits your application.

All plug connectors are extremely robust and industrial grade.

The most important benefits

- Large selection for every industry
- Various designs
- Various housing materials
- Secure transmission of signals, data and power
- Robust and industrial grade



	BCC0AT9 BCC A333-0000-10-000-61X3A5-000	
Connection	7/8"-16 UN-Female, straight, 3-pole	
Number of connectable contacts	3	
Connection cross-section	0.14...1.5 mm ²	
Type of wire mounting	Screw terminals	
Cable diameter D	8...10 mm	
Operating voltage U _b	600 VDC / 600 VAC	
Rated current (40 °C)	9.0 A	
Protection degree	IP67	
Ambient temperature	-25...85 °C	
Approval/Conformity	EAC, cURus	
Productview	Page 244	



BCCOATA BCC A333-0000-10-000-71X3A5-000	BCCOATC BCC A333-0000-20-000-61X3A5-000	BCCOATE BCC A333-0000-20-000-71X3A5-000
7/8"-16 UN-Female, straight, 3-pole	7/8"-16 UN-Male, straight, 3-pole	7/8"-16 UN-Male, straight, 3-pole
3	3	3
0.14...1.5 mm ²	0.14...1.5 mm ²	0.14...1.5 mm ²
Screw terminals	Screw terminals	Screw terminals
10...12 mm	8...10 mm	10...12 mm
600 VDC / 600 VAC	600 VDC / 600 VAC	600 VDC / 600 VAC
9.0 A	9.0 A	9.0 A
IP67	IP67	IP67
-25...85 °C	-25...85 °C	-25...85 °C
EAC, cURus	EAC, cURus	EAC, cURus
Page 244	Page 244	Page 244



	BCC0706 BCC A334-0000-10-000-51X4A5-000	
Connection	7/8"-16 UN-Female, straight, 4-pole	
Number of connectable contacts	4	
Connection cross-section	0.14...1.5 mm ²	
Type of wire mounting	Screw terminals	
Cable diameter D	6...8 mm	
Operating voltage U _b	600 VDC / 600 VAC	
Rated current (40 °C)	9.0 A	
Protection degree	IP67	
Ambient temperature	-25...85 °C	
Approval/Conformity	EAC, cURus	
Productview	Page 244	



BCC0707 BCC A334-0000-10-000-61X4A5-000	BCC0708 BCC A334-0000-10-000-71X4A5-000	BCC0709 BCC A334-0000-20-000-51X4A5-000
7/8"-16 UN-Female, straight, 4-pole	7/8"-16 UN-Female, straight, 4-pole	7/8"-16 UN-Male, straight, 4-pole
4	4	4
0.14...1.5 mm ²	0.14...1.5 mm ²	0.14...1.5 mm ²
Screw terminals	Screw terminals	Screw terminals
8...10 mm	10...12 mm	6...8 mm
600 VDC / 600 VAC	600 VDC / 600 VAC	600 VDC / 600 VAC
9.0 A	9.0 A	9.0 A
IP67	IP67	IP67
-25...85 °C	-25...85 °C	-25...85 °C
EAC, cURus	EAC, cURus	EAC, cURus
Page 244	Page 244	Page 244



	BCC070A BCC A334-0000-20-000-61X4A5-000	
Connection	7/8"-16 UN-Male, straight, 4-pole	
Number of connectable contacts	4	
Connection cross-section	0.14...1.5 mm ²	
Type of wire mounting	Screw terminals	
Cable diameter D	8...10 mm	
Operating voltage U _b	600 VDC / 600 VAC	
Rated current (40 °C)	9.0 A	
Protection degree	IP67	
Ambient temperature	-25...85 °C	
Approval/Conformity	EAC, cURus	
Productview	Page 245	



BCC070C BCC A334-0000-20-000-71X4A5-000	BCC070E BCC A335-0000-10-000-51X5A5-000	BCC070F BCC A335-0000-10-000-61X5A5-000
7/8"-16 UN-Male, straight, 4-pole	7/8"-16 UN-Female, straight, 5-pole	7/8"-16 UN-Female, straight, 5-pole
4	5	5
0.14...1.5 mm ²	0.14...1.5 mm ²	0.14...1.5 mm ²
Screw terminals	Screw terminals	Screw terminals
10...12 mm	6...8 mm	8...10 mm
600 VDC / 600 VAC	600 VDC / 600 VAC	600 VDC / 600 VAC
9.0 A	9.0 A	9.0 A
IP67	IP67	IP67
-25...85 °C	-25...85 °C	-25...85 °C
EAC, cURus	EAC, cURus	EAC, cURus
Page 245	Page 245	Page 245



	BCC070H BCC A335-0000-10-000-71X5A5-000	
Connection	7/8"-16 UN-Female, straight, 5-pole	
Number of connectable contacts	5	
Connection cross-section	0.14...1.5 mm ²	
Type of wire mounting	Screw terminals	
Cable diameter D	10...12 mm	
Operating voltage U _b	600 VDC / 600 VAC	
Rated current (40 °C)	9.0 A	
Protection degree	IP67	
Ambient temperature	-25...85 °C	
Approval/Conformity	EAC, cURus	
Productview	Page 245	



BCCOATH BCC A335-0000-10-000-81X5A5-000	BCC070J BCC A335-0000-20-000-51X5A5-000	BCC070K BCC A335-0000-20-000-61X5A5-000
7/8"-16 UN-Female, straight, 5-pole	7/8"-16 UN-Male, straight, 5-pole	7/8"-16 UN-Male, straight, 5-pole
5	5	5
0.14...1.5 mm ²	0.14...1.5 mm ²	0.14...1.5 mm ²
Screw terminals	Screw terminals	Screw terminals
12...14 mm	6...8 mm	8...10 mm
600 VDC / 600 VAC	600 VDC / 600 VAC	600 VDC / 600 VAC
9.0 A	9.0 A	9.0 A
IP67	IP67	IP67
-25...85 °C	-25...85 °C	-25...85 °C
EAC, cURus	EAC, cURus	EAC, cURus
Page 245	Page 245	Page 245



	BCC070L BCC A335-0000-20-000-71X5A5-000	
Connection	7/8"-16 UN-Male, straight, 5-pole	
Number of connectable contacts	5	
Connection cross-section	0.14...1.5 mm ²	
Type of wire mounting	Screw terminals	
Cable diameter D	10...12 mm	
Operating voltage U _b	600 VDC / 600 VAC	
Rated current (40 °C)	9.0 A	
Protection degree	IP67	
Ambient temperature	-25...85 °C	
Approval/Conformity	EAC, cURus	
Productview	Page 245	



BCCOATF BCC A335-0000-20-000-81X5A5-000	BCCOHLN BCC M333-0000-10-000-13X325-000	BCCOHLU BCC M333-0000-10-000-13X350-000
7/8"-16 UN-Male, straight, 5-pole	M8x1-Female, straight, 3-pole, A-coded	M8x1-Female, straight, 3-pole, A-coded
5	3	3
0.14...1.5 mm ²	0.08...0.25 mm ²	0.25...0.5 mm ²
Screw terminals	Insulation displacement connector technology	Insulation displacement connector technology
12...14 mm	2.5...5.2 mm	2.5...5.2 mm
600 VDC / 600 VAC	60 VDC / 60 VAC	60 VDC / 60 VAC
9.0 A	4.0 A	4.0 A
IP67	IP67	IP67
-25...85 °C	-25...85 °C	-25...85 °C
EAC, cURus	EAC	EAC
Page 245	Page 246	Page 246



	BCC06Z1 BCC M333-0000-10-000-31X350-000	
Connection	M8x1-Female, straight, 3-pole, A-coded	
Number of connectable contacts	3	
Connection cross-section	0.14...0.5 mm ²	
Type of wire mounting	Screw terminals	
Cable diameter D	3.5...5 mm	
Operating voltage U _b	60 VDC / 60 VAC	
Rated current (40 °C)	4.0 A	
Protection degree	IP67	
Ambient temperature	-25...85 °C	
Approval/Conformity	EAC, cULus	
Productview	Page 246	



BCC02HC BKS-S111-RT13	BCC0HLP BCC M333-0000-20-000-13X325-000	
M8x1-Female, straight, 3-pole, A-coded	M8x1-Male, straight, 3-pole, A-coded	
3	3	
0.14...0.34 mm ²	0.08...0.25 mm ²	
Insulation displacement connector technology	Insulation displacement connector technology	
2.5...5.1 mm	2.5...5.2 mm	
32 VDC / 32 VAC	60 VDC / 60 VAC	
4.0 A	4.0 A	
IP67	IP67	
-40...85 °C	-25...85 °C	
cURus, EAC	EAC	
Page 246	Page 246	



	BCCOHLW BCC M333-0000-20-000-13X350-000	
Connection	M8x1-Male, straight, 3-pole, A-coded	
Number of connectable contacts	3	
Connection cross-section	0.25...0.5 mm ²	
Type of wire mounting	Insulation displacement connector technology	
Cable diameter D	2.5...5.2 mm	
Operating voltage U _b	60 VDC / 60 VAC	
Rated current (40 °C)	4.0 A	
Protection degree	IP67	
Ambient temperature	-25...85 °C	
Approval/Conformity	EAC	
Productview	Page 246	



BCC0E7N BCC M333-0000-20-000-31X350-000-C027	BCC02HE BKS-S113-RT13	BCC0HLR BCC M334-0000-10-000-13X425-000
M8x1-Male, straight, 3-pole, A-coded	M8x1-Male, straight, 3-pole, A-coded	M8x1-Female, straight, 4-pole, A-coded
3	3	4
0.14...0.5 mm ²	0.14...0.34 mm ²	0.08...0.25 mm ²
Screw terminals	Insulation displacement connector technology	Insulation displacement connector technology
2.2...3.5 mm	2.5...5.1 mm	2.5...5.2 mm
60 VDC / 60 VAC	32 VDC / 32 VAC	30 VDC / 30 VAC
4.0 A	4.0 A	4.0 A
IP67	IP67	IP67
-25...85 °C	-40...85 °C	-25...85 °C
EAC	cURus, EAC	EAC
Page 246	Page 246	Page 246



	BCCOHL BCC M334-0000-10-000-13X450-000	
Connection	M8x1-Female, straight, 4-pole, A-coded	
Number of connectable contacts	4	
Connection cross-section	0.25...0.5 mm ²	
Type of wire mounting	Insulation displacement connector technology	
Cable diameter D	2.5...5.2 mm	
Operating voltage U _b	30 VDC / 30 VAC	
Rated current (40 °C)	4.0 A	
Protection degree	IP67	
Ambient temperature	-25...85 °C	
Approval/Conformity	EAC	
Productview	Page 247	



BCC06Z5 BCC M334-0000-10-000-31X450-000	BCC02HF BKS-S216-RT14	BCCOHLT BCC M334-0000-20-000-13X425-000
M8x1-Female, straight, 4-pole, A-coded	M8x1-Female, straight, 4-pole, A-coded	M8x1-Male, straight, 4-pole, A-coded
4	4	4
0.14...0.5 mm ²	0.14...0.34 mm ²	0.08...0.25 mm ²
Screw terminals	Insulation displacement connector technology	Insulation displacement connector technology
3.5...5 mm	2.5...5.1 mm	2.5...5.2 mm
60 VDC / 60 VAC	32 VDC / 32 VAC	30 VDC / 30 VAC
4.0 A	4.0 A	4.0 A
IP67	IP67	IP67
-25...85 °C	-40...85 °C	-25...85 °C
EAC, cULus	cURus, EAC	EAC
Page 247	Page 247	Page 247



	BCC0HLZ BCC M334-0000-20-000-13X450-000	
Connection	M8x1-Male, straight, 4-pole, A-coded	
Number of connectable contacts	4	
Connection cross-section	0.25...0.5 mm ²	
Type of wire mounting	Insulation displacement connector technology	
Cable diameter D	2.5...5.2 mm	
Operating voltage U _b	30 VDC / 30 VAC	
Rated current (40 °C)	4.0 A	
Protection degree	IP67	
Ambient temperature	-25...85 °C	
Approval/Conformity	EAC	
Productview	Page 247	



BCC06Z7 BCC M334-0000-20-000-31X450-000	BCC02HH BKS-S218-RT14	BCC06M4 BCC M434-0000-2A-000-41X475-000
M8x1-Male, straight, 4-pole, A-coded	M8x1-Male, straight, 4-pole, A-coded	M12x1-Male, straight, 4-pole, A-coded
4	4	4
0.14...0.5 mm ²	0.14...0.34 mm ²	0.14...0.75 mm ²
Screw terminals	Insulation displacement connector technology	Screw terminals
3.5...5 mm	2.5...5.1 mm	4...6 mm
60 VDC / 60 VAC	32 VDC / 32 VAC	250 VDC / 250 VAC
4.0 A	4.0 A	4.0 A
IP67	IP67	IP67
-25...85 °C	-40...85 °C	-25...85 °C
EAC, cULus	cURus, EAC	cURus, EAC
Page 247	Page 247	Page 247



	BCC08CO BCC M434-0000-2A-000-43X434-000	
Connection	M12x1-Male, straight, 4-pole, A-coded	
Number of connectable contacts	4	
Connection cross-section	0.14...0.34 mm ²	
Type of wire mounting	Insulation displacement connector technology	
Cable diameter D	3.5...6 mm	
Operating voltage U _b	125 VDC / 125 VAC	
Rated current (40 °C)	4.0 A	
Protection degree	IP67	
Ambient temperature	-25...80 °C	
Approval/Conformity	EAC	
Productview	Page 248	



BCC0F9M BCC M434-0000-2A-000-45X450-000	BCC06F7 BCC M434-0000-2A-000-51X475-000	BCC06Y5 BCC M434-0000-2A-000-55X450-000
M12x1-Male, straight, 4-pole, A-coded	M12x1-Male, straight, 4-pole, A-coded	M12x1-Male, straight, 4-pole, A-coded
4	4	4
0.14...0.5 mm ²	0.14...0.75 mm ²	0.14...0.5 mm ²
Spring clamp terminals	Screw terminals	Spring clamp terminals
4...6 mm	6...8 mm	6...8 mm
250 VDC / 250 VAC	250 VDC / 250 VAC	250 VDC / 250 VAC
4.0 A	4.0 A	4.0 A
IP67	IP67	IP67
-25...85 °C	-25...85 °C	-25...85 °C
EAC	cURus, EAC	EAC
Page 248	Page 248	Page 248



	BCC0869 BCC M474-0000-2A-000-01X475-000	
Connection	M12x1-Male, straight, 4-pole, A-coded	
Number of connectable contacts	4	
Connection cross-section	0.14...0.75 mm ²	
Type of wire mounting	Screw terminals	
Cable diameter D	5...8 mm	
Operating voltage U _b	250 VDC / 250 VAC	
Rated current (40 °C)	4.0 A	
Protection degree	IP67	
Ambient temperature	-25...85 °C	
Approval/Conformity	EAC	
Productview	Page 248	



BCC02H9 BKS-S109-RT14	BCC06ZC BCC M444-0000-2A-000-41X475-000	BCC06ZE BCC M444-0000-2A-000-51X475-000
M12x1-Male, straight, 4-pole, A-coded	M12x1-Male, angled, 4-pole, A-coded	M12x1-Male, angled, 4-pole, A-coded
4	4	4
0.14...0.34 mm ²	0.14...0.75 mm ²	0.14...0.75 mm ²
Insulation displacement connector technology	Screw terminals	Screw terminals
2.9...5.1 mm	4...6 mm	6...8 mm
32 VDC / 32 VAC	250 VDC / 250 VAC	250 VDC / 250 VAC
4.0 A	4.0 A	4.0 A
IP67	IP67	IP67
-40...85 °C	-25...85 °C	-25...85 °C
cURus, EAC	cURus, EAC	cURus, EAC
Page 248	Page 248	Page 248



	BCC02H7 BKS-S 77-RT04	
Connection	M12x1-Male, angled, 4-pole, A-coded	
Number of connectable contacts	4	
Connection cross-section	0.25...0.5 mm ²	
Type of wire mounting	Insulation displacement connector technology	
Cable diameter D	4...5.1 mm	
Operating voltage U _b	32 VDC / 32 VAC	
Rated current (40 °C)	4.0 A	
Protection degree	IP67	
Ambient temperature	-40...85 °C	
Approval/Conformity	cURus, EAC	
Productview	Page 248	



BCC06Z9 BCC M435-0000-1A-000-41X475-000	BCC06ZF BCC M435-0000-1A-000-41X575-000	BCC06ZY BCC M435-0000-1A-000-43X434-000
M12x1-Female, straight, 5-pole, A-coded	M12x1-Female, straight, 5-pole, A-coded	M12x1-Female, straight, 5-pole, A-coded
4	5	4
0.14...0.75 mm ²	0.14...0.75 mm ²	0.14...0.34 mm ²
Screw terminals	Screw terminals	Insulation displacement connector technology
4...6 mm	4...6 mm	3.5...6 mm
250 VDC / 250 VAC	125 VDC / 125 VAC	250 VDC / 250 VAC
4.0 A	4.0 A	4.0 A
IP67	IP67	IP67
-25...85 °C	-25...85 °C	-40...80 °C
cURus, EAC	cURus, EAC	EAC
Page 248	Page 248	Page 249



	BCCOF9N BCC M435-0000-1A-000-45X450-000	
Connection	M12x1-Female, straight, 5-pole, A-coded	
Number of connectable contacts	4	
Connection cross-section	0.14...0.5 mm ²	
Type of wire mounting	Spring clamp terminals	
Cable diameter D	4...6 mm	
Operating voltage U _b	250 VDC / 250 VAC	
Rated current (40 °C)	4.0 A	
Protection degree	IP67	
Ambient temperature	-25...85 °C	
Approval/Conformity	EAC	
Productview	Page 248	



BCC06F6 BCC M435-0000-1A-000-51X475-000	BCC06W9 BCC M435-0000-1A-000-51X575-000	BCC06Y6 BCC M435-0000-1A-000-55X450-000
M12x1-Female, straight, 5-pole, A-coded	M12x1-Female, straight, 5-pole, A-coded	M12x1-Female, straight, 5-pole, A-coded
4	5	4
0.14...0.75 mm ²	0.14...0.75 mm ²	0.14...0.5 mm ²
Screw terminals	Screw terminals	Spring clamp terminals
6...8 mm	6...8 mm	6...8 mm
250 VDC / 250 VAC	125 VDC / 125 VAC	250 VDC / 250 VAC
4.0 A	4.0 A	4.0 A
IP67	IP67	IP67
-25...85 °C	-25...85 °C	-25...85 °C
cURus, EAC	cURus, EAC	EAC
Page 249	Page 249	Page 249



	BCC09JP BCC M435-0000-1A-000-A1X575-000	
Connection	M12x1-Female, straight, 5-pole, A-coded	
Number of connectable contacts	5	
Connection cross-section	0.14...0.75 mm ²	
Type of wire mounting	Screw terminals	
Cable diameter D	2.1...3 mm	
Operating voltage U _b	125 VDC / 125 VAC	
Rated current (40 °C)	4.0 A	
Protection degree	IP67	
Ambient temperature	-25...85 °C	
Approval/Conformity	cURus, EAC	
Productview	Page 249	



BCC06ZM BCC M475-0000-1A-000-01X475-000	BCC06ZN BCC M475-0000-1A-000-01X575-000	BCC02H8 BKS-S107-RT14
M12x1-Female, straight, 5-pole, A-coded	M12x1-Female, straight, 5-pole, A-coded	M12x1-Female, straight, 5-pole, A-coded
4	5	4
0.14...0.75 mm ²	0.14...0.75 mm ²	0.14...0.34 mm ²
Screw terminals	Screw terminals	Insulation displacement connector technology
5...8 mm	5...8 mm	2.9...5.1 mm
250 VDC / 250 VAC	125 VDC / 125 VAC	32 VDC / 32 VAC
4.0 A	4.0 A	4.0 A
IP67	IP67	IP67
-25...85 °C	-25...85 °C	-40...85 °C
EAC	cURus, EAC	cURus, EAC
Page 249	Page 249	Page 249



	BCC06YA BCC M435-0000-2A-000-41X575-000	
Connection	M12x1-Male, straight, 5-pole, A-coded	
Number of connectable contacts	5	
Connection cross-section	0.14...0.75 mm ²	
Type of wire mounting	Screw terminals	
Cable diameter D	4...6 mm	
Operating voltage U _b	125 VDC / 125 VAC	
Rated current (40 °C)	4.0 A	
Protection degree	IP67	
Ambient temperature	-25...85 °C	
Approval/Conformity	cURus, EAC	
Productview	Page 249	



BCC06EY BCC M435-0000-2A-000-51X575-000	BCC09JW BCC M435-0000-2A-000-A1X575-000	BCC086A BCC M475-0000-2A-000-01X575-000
M12x1-Male, straight, 5-pole, A-coded	M12x1-Male, straight, 5-pole, A-coded	M12x1-Male, straight, 5-pole, A-coded
5	5	5
0.14...0.75 mm ²	0.14...0.75 mm ²	0.14...0.75 mm ²
Screw terminals	Screw terminals	Screw terminals
6...8 mm	2.1...3 mm	5...8 mm
125 VDC / 125 VAC	125 VDC / 125 VAC	250 VDC / 250 VAC
4.0 A	4.0 A	4.0 A
IP67	IP67	IP67
-25...85 °C	-25...85 °C	-25...85 °C
cURus, EAC	cURus, EAC	cURus, EAC
Page 249	Page 249	Page 250



	BCC06ZA BCC M445-0000-1A-000-41X475-000	
Connection	M12x1-Female, angled, 5-pole, A-coded	
Number of connectable contacts	4	
Connection cross-section	0.14...0.75 mm ²	
Type of wire mounting	Screw terminals	
Cable diameter D	4...6 mm	
Operating voltage U _b	250 VDC / 250 VAC	
Rated current (40 °C)	4.0 A	
Protection degree	IP67	
Ambient temperature	-40...85 °C	
Approval/Conformity	EAC	
Productview	Page 250	



BCC06ZH BCC M445-0000-1A-000-41X575-000	BCC06Y8 BCC M445-0000-1A-000-51X475-000	BCC06ZJ BCC M445-0000-1A-000-51X575-000
M12x1-Female, angled, 5-pole, A-coded	M12x1-Female, angled, 5-pole, A-coded	M12x1-Female, angled, 5-pole, A-coded
5	4	5
0.14...0.75 mm ²	0.14...0.75 mm ²	0.14...0.75 mm ²
Screw terminals	Screw terminals	Screw terminals
4...6 mm	6...8 mm	6...8 mm
125 VDC / 125 VAC	250 VDC / 250 VAC	125 VDC / 125 VAC
4.0 A	4.0 A	4.0 A
IP67	IP67	IP67
-40...85 °C	-40...85 °C	-40...85 °C
cURus, EAC	cURus, EAC	cURus, EAC
Page 250	Page 250	Page 250



	BCC02H6 BKS-S 76-RT04	
Connection	M12x1-Female, angled, 5-pole, A-coded	
Number of connectable contacts	4	
Connection cross-section	0.25...0.5 mm ²	
Type of wire mounting	Insulation displacement connector technology	
Cable diameter D	4...5.1 mm	
Operating voltage U _b	32 VDC / 32 VAC	
Rated current (40 °C)	4.0 A	
Protection degree	IP67	
Ambient temperature	-40...85 °C	
Approval/Conformity	cURus, EAC	
Productview	Page 250	



BCC06ZK BCC M445-0000-2A-000-41X575-000	BCC06ZL BCC M445-0000-2A-000-51X575-000	BCC0A03 BCC M438-0000-1A-000-51X850-000
M12x1-Male, angled, 5-pole, A-coded	M12x1-Male, angled, 5-pole, A-coded	M12x1-Female, straight, 8-pole, A-coded
5	5	8
0.14...0.75 mm ²	0.14...0.75 mm ²	0.14...0.5 mm ²
Screw terminals	Screw terminals	Screw terminals
4...6 mm	6...8 mm	6...8 mm
125 VDC / 125 VAC	125 VDC / 125 VAC	60 VDC / 60 VAC
4.0 A	4.0 A	2.0 A
IP67	IP67	IP67
-40...85 °C	-40...85 °C	-25...85 °C
cURus, EAC	cURus, EAC	cURus, EAC
Page 250	Page 250	Page 251



	BCC04MC BCC M478-0000-1A-000-43X834-000	
Connection	M12x1-Female, straight, 8-pole, A-coded	
Number of connectable contacts	8	
Connection cross-section	0.14...0.34 mm ²	
Type of wire mounting	Insulation displacement connector technology	
Cable diameter D	4...8 mm	
Operating voltage U _b	30 VDC / 30 VAC	
Rated current (40 °C)	1.75 A	
Protection degree	IP67	
Ambient temperature	-25...85 °C	
Approval/Conformity	EAC	
Productview	Page 251	



BCC0A04 BCC M438-0000-2A-000-51X850-000	BCC0HAH BCC M478-0000-2A-000-41X850-000	BCC04ME BCC M488-0000-1A-000-43X834-000
M12x1-Male, straight, 8-pole, A-coded	M12x1-Male, straight, 8-pole, A-coded	M12x1-Female, angled, 8-pole, A-coded
8	8	8
0.14...0.5 mm ²	0.14...0.5 mm ²	0.14...0.34 mm ²
Screw terminals	Screw terminals	Insulation displacement connector technology
6...8 mm	4...6 mm	4...8 mm
60 VDC / 60 VAC	30 VDC / 30 VAC	30 VDC / 30 VAC
2.0 A	2.0 A	1.75 A
IP67	IP67	IP67
-25...85 °C	-25...85 °C	-25...85 °C
cURus, EAC	EAC	EAC
Page 251	Page 251	Page 251



	BCC0KR4 BCC M488-0000-2A-000-01X850-000	
Connection	M12x1-Male, angled, 8-pole, A-coded	
Number of connectable contacts	8	
Connection cross-section	0.14...0.5 mm ²	
Type of wire mounting	Screw terminals	
Cable diameter D	5...8 mm	
Operating voltage U _b	30 VDC / 30 VAC	
Rated current (40 °C)	2.0 A	
Protection degree	IP67	
Ambient temperature	-40...85 °C	
Approval/Conformity	EAC	
Productview	Page 251	



BCC0A05 BCC M43C-0000-1A-000-54XC25-000	BCC0A06 BCC M43C-0000-2A-000-54XC25-000	BCC0715 BCC M475-0000-1B-000-01X575-000
M12x1-Female, straight, 12-pole, A-coded	M12x1-Male, straight, 12-pole, A-coded	M12x1-Female, straight, 5-pole, B-coded
12	12	5
0.14...0.25 mm ²	0.14...0.25 mm ²	0.14...0.75 mm ²
Solder connections	Solder connections	Screw terminals
6...8 mm	6...8 mm	5...8 mm
30 VDC / 30 VAC	30 VDC / 30 VAC	250 VDC / 250 VAC
1.0 A	1.0 A	4.0 A
IP67	IP67	IP67
-25...85 °C	-25...85 °C	-25...85 °C
cURus, EAC	cURus, EAC	cURus, EAC
Page 251	Page 251	Page 252



	BCC0714 BCC M475-0000-2B-000-01X575-000	
Connection	M12x1-Male, straight, 5-pole, B-coded	
Number of connectable contacts	5	
Connection cross-section	0.14...0.75 mm ²	
Type of wire mounting	Screw terminals	
Cable diameter D	5...8 mm	
Operating voltage U _b	250 VDC / 250 VAC	
Rated current (40 °C)	4.0 A	
Protection degree	IP67	
Ambient temperature	-25...85 °C	
Approval/Conformity	cURus, EAC	
Productview	Page 252	



BCC0717 BCC M485-0000-1B-000-01X575-000	BCC0716 BCC M485-0000-2B-000-01X575-000	BCC03Y1 BCC M474-0000-1D-000-51X475-000
M12x1-Female, angled, 5-pole, B-coded	M12x1-Male, angled, 5-pole, B-coded	M12x1-Female, straight, 4-pole, D-coded
5	5	4
0.14...0.75 mm ²	0.14...0.75 mm ²	0.14...0.75 mm ²
Screw terminals	Screw terminals	Screw terminals
5...8 mm	5...8 mm	5...8 mm
250 VDC / 250 VAC	250 VDC / 250 VAC	250 VDC / 250 VAC
4.0 A	4.0 A	4.0 A
IP67	IP67	IP67
-25...85 °C	-25...85 °C	-25...85 °C
cURus, EAC	cURus, EAC	cURus, EAC
Page 252	Page 252	Page 252



	BCC03WZ BCC M474-0000-2D-000-51X475-000	
Connection	M12x1-Male, straight, 4-pole, D-coded	
Number of connectable contacts	4	
Connection cross-section	0.14...0.75 mm ²	
Type of wire mounting	Screw terminals	
Cable diameter D	5...8 mm	
Operating voltage U _b	250 VDC / 250 VAC	
Rated current (40 °C)	4.0 A	
Protection degree	IP67	
Ambient temperature	-25...85 °C	
Approval/Conformity	cURus, EAC	
Productview	Page 252	



BCC03Y2 BCC M484-0000-1D-000-51X475-000	BCC03Y0 BCC M484-0000-2D-000-51X475-000	BCCOHTL BCC M478-0000-2X-000-E3X8T2-000
M12x1-Female, angled, 4-pole, D-coded	M12x1-Male, angled, 4-pole, D-coded	M12x1-Male, straight, 8-pole, X-coded
4	4	8
0.14...0.75 mm ²	0.14...0.75 mm ²	0.14...0.34 mm ²
Screw terminals	Screw terminals	Insulation displacement connector technology
5...8 mm	5...8 mm	5.5...9 mm
250 VDC / 250 VAC	250 VDC / 250 VAC	60 VDC / 50 VAC
4.0 A	4.0 A	0.5 A
IP67	IP67	IP67
-25...85 °C	-25...85 °C	-40...85 °C
cURus, EAC	cURus, EAC	cULus, EAC
Page 252	Page 252	Page 252



	BCC00T BKS-S 32M-00	
Connection	M16x0.75-Female, straight, 8-pole	
Number of connectable contacts	8	
Connection cross-section	0.14...0.75 mm ²	
Type of wire mounting	Solder connections	
Cable diameter D	6...8 mm	
Operating voltage U _b	60 VDC / 60 VAC	
Rated current (40 °C)	5.0 A	
Protection degree	IP67	
Ambient temperature	-40...95 °C	
Approval/Conformity	EAC	
Productview	Page 253	



BCC00UP BKS-S 33M-00	BCC06FH BCC E834-0000-20-000-53X4T2-000	
M16x0.75-Female, angled, 8-pole	RJ45-Male, straight, 4-pole	
8	4	
0.14...0.75 mm ²	0.2...0.34 mm ²	
Solder connections	Insulation displacement connector technology	
6...8 mm	6.1...6.9 mm	
60 VDC / 60 VAC	125 VDC / 125 VAC	
5.0 A	1.0 A	
IP67	IP20	
-40...95 °C	-40...70 °C	
EAC	cURus, EAC	
Page 253	Page 253	

Sensors

RFID

Machine Vision and
Optical Identification

Human Machine
Interfaces

Safety

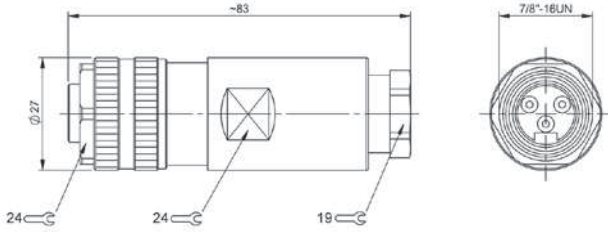
Industrial Networking

Software and
System Solutions

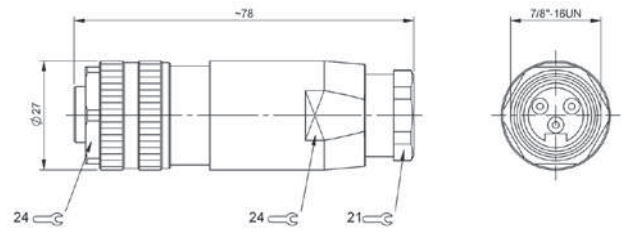
Power Supply

Connectivity

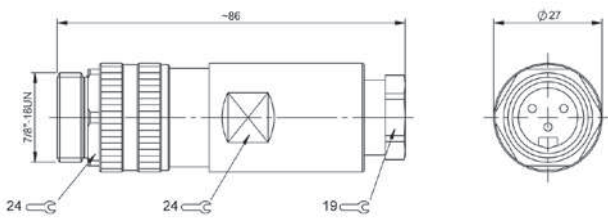
Accessories



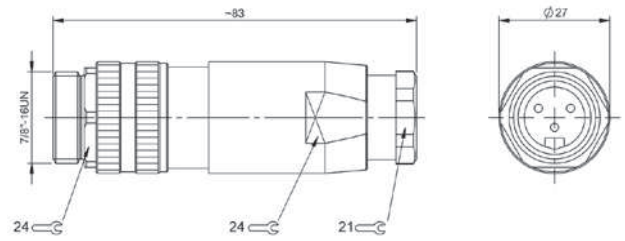
BCC0AT9



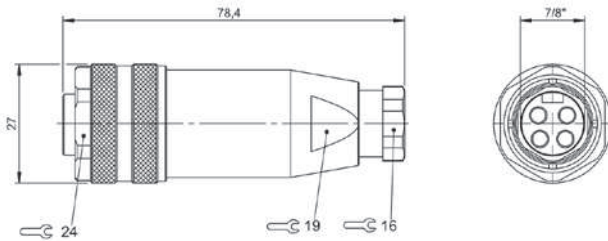
BCC0ATA



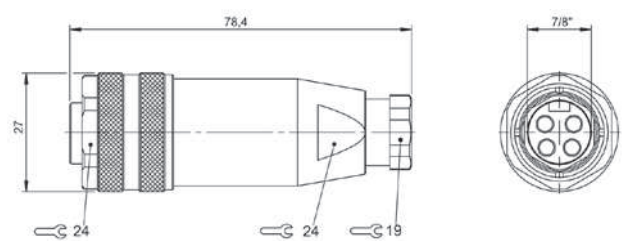
BCC0ATC



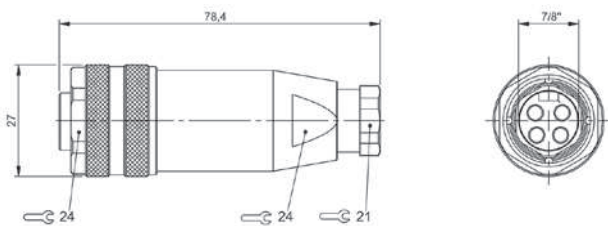
BCC0ATE



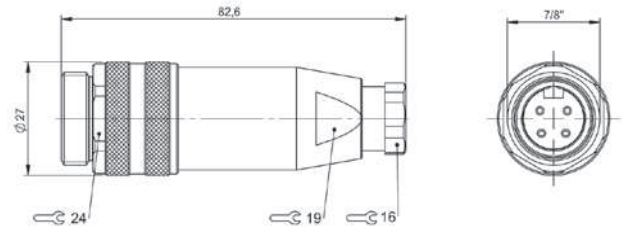
BCC0706



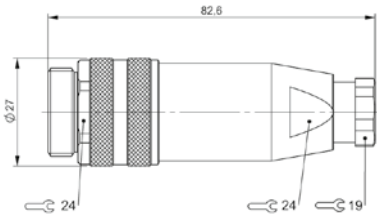
BCC0707



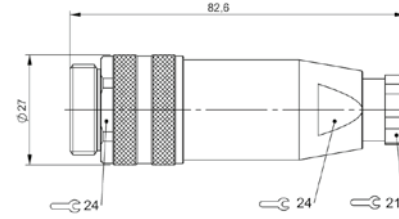
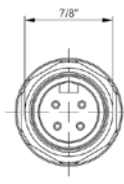
BCC0708



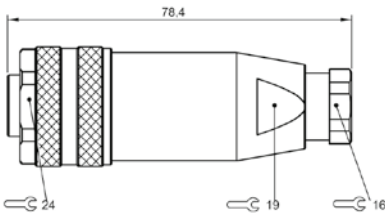
BCC0709



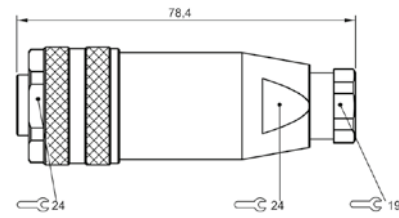
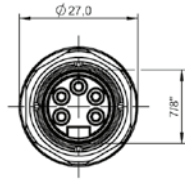
BCC070A



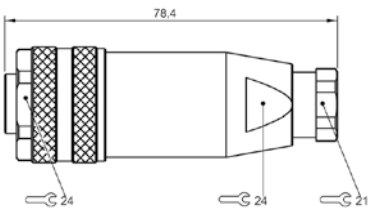
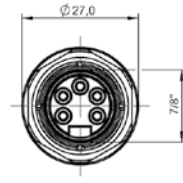
BCC070C



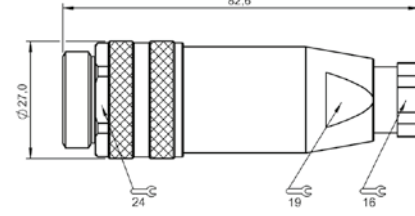
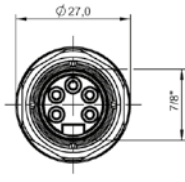
BCC070E



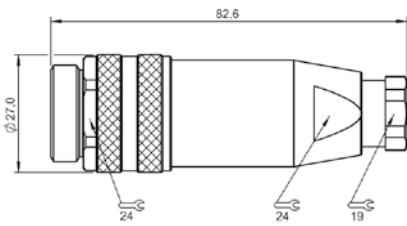
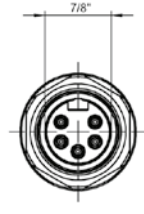
BCC070F



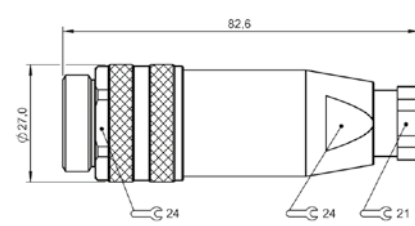
BCC070H, BCC0ATH



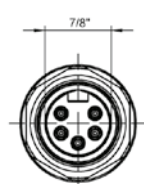
BCC070J

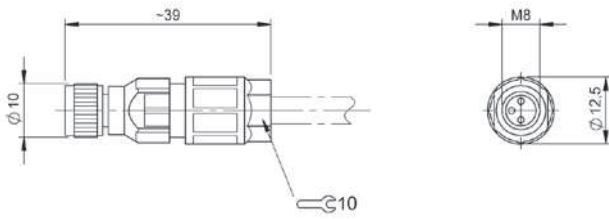


BCC070K

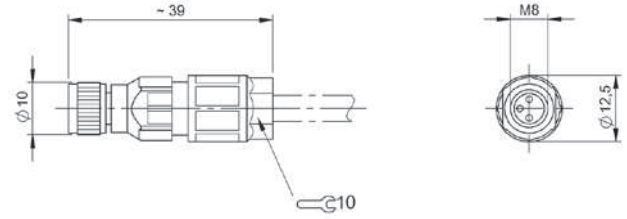


BCC070L, BCC0ATF

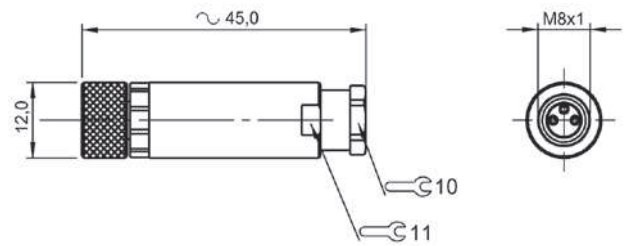




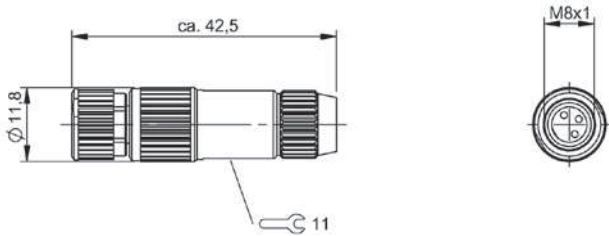
BCC0HLN



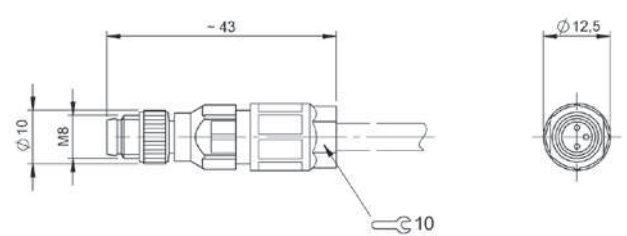
BCC0HLU



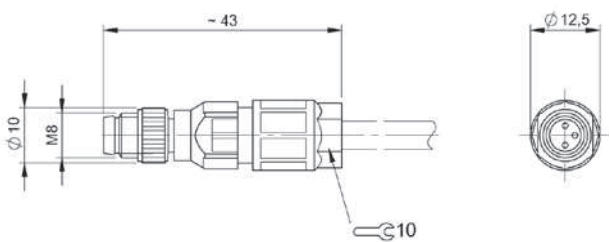
BCC06Z1



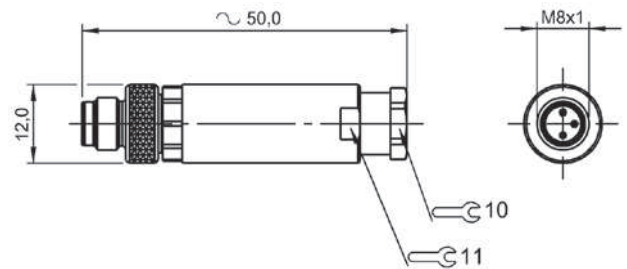
BCC02HC, BCC02HF



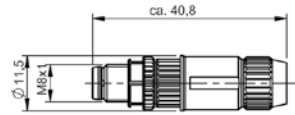
BCC0HLP



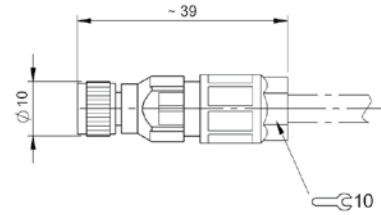
BCC0HLW



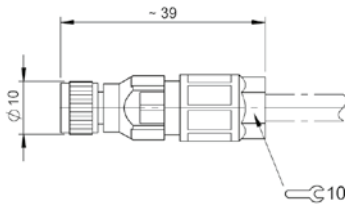
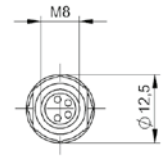
BCC0E7N



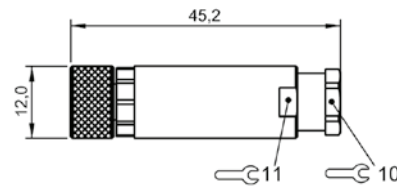
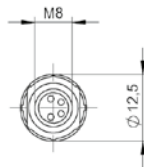
BCC02HE, BCC02HH



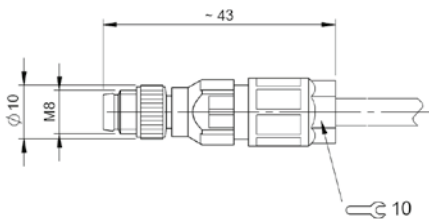
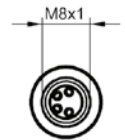
BCC0HLR



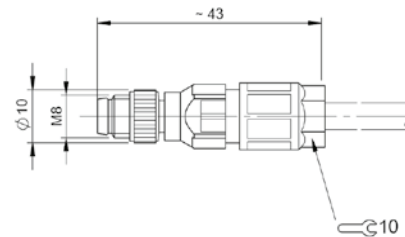
BCC0HLY



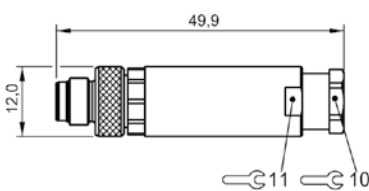
BCC06Z5



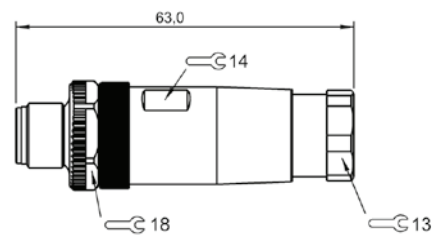
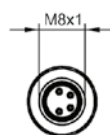
BCC0HLT



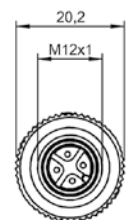
BCC0HLZ

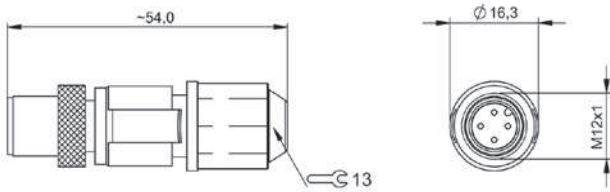


BCC06Z7

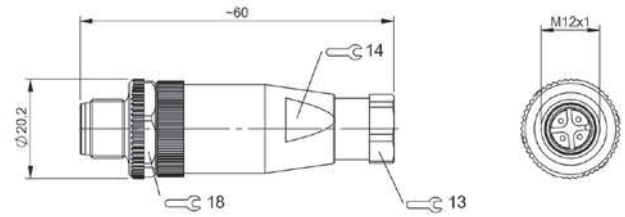


BCC06M4

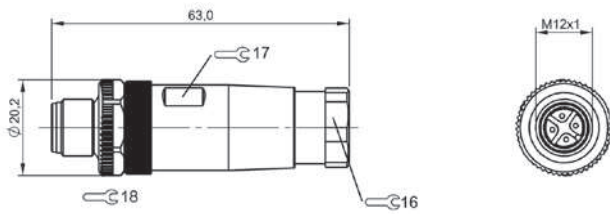




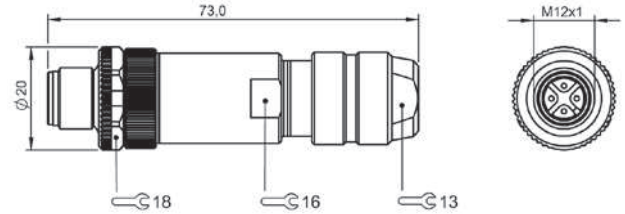
BCC08C0



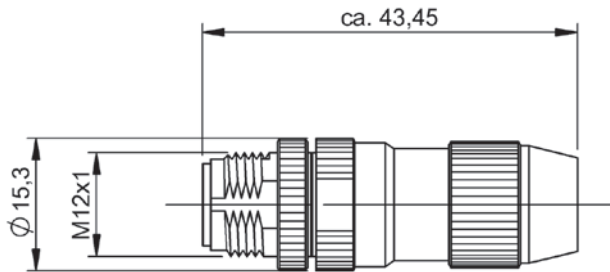
BCC0F9M



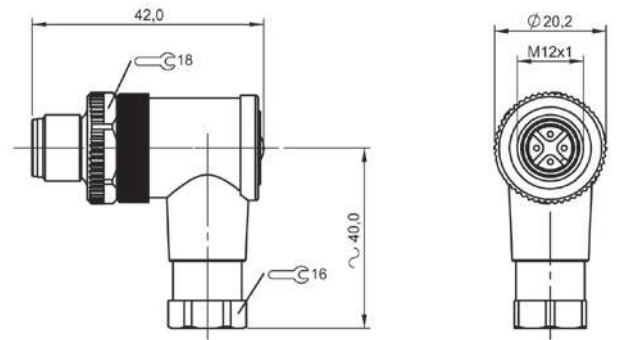
BCC06F7, BCC06Y5



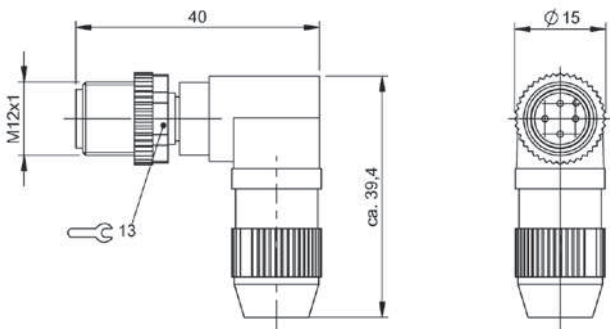
BCC0869



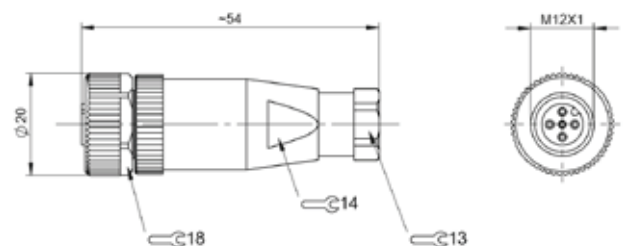
BCC02H9



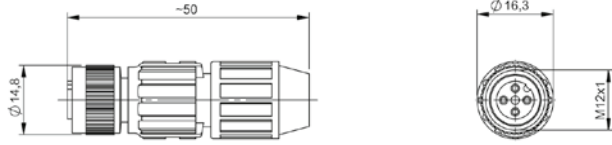
BCC06ZC, BCC06ZE



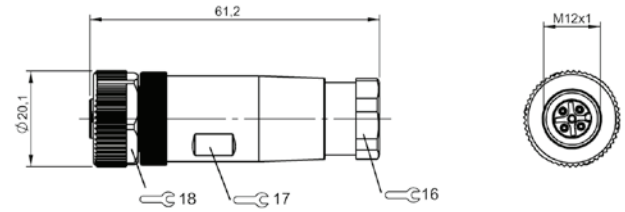
BCC02H7



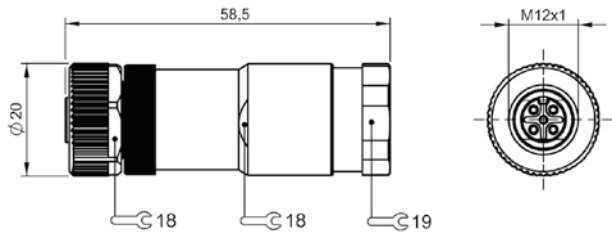
BCC06Z9, BCC06ZF, BCC0F9N



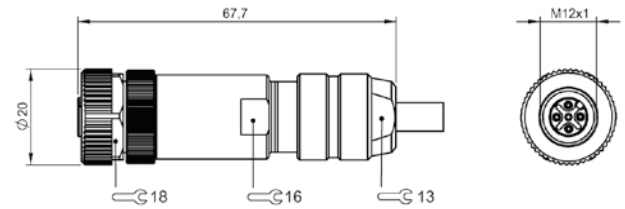
BCC06ZY



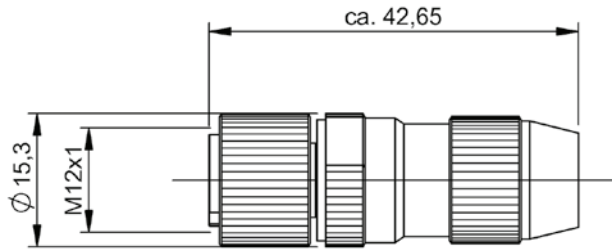
BCC06F6, BCC06W9, BCC06Y6



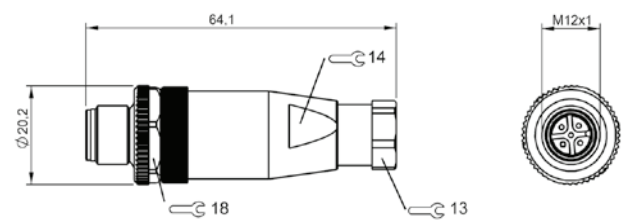
BCC09JP



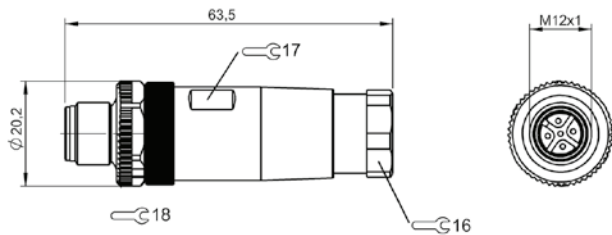
BCC06ZM, BCC06ZN



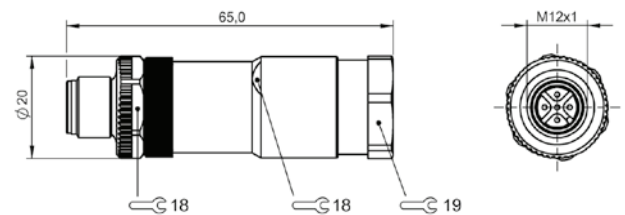
BCC02H8



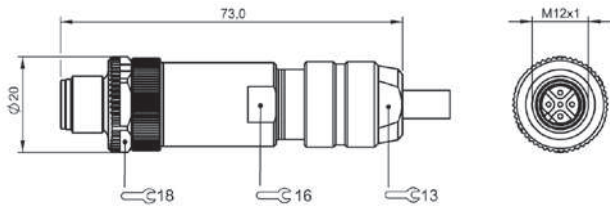
BCC06YA



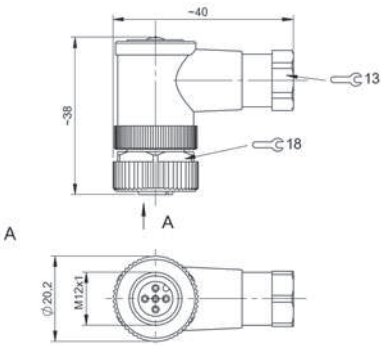
BCC06EY



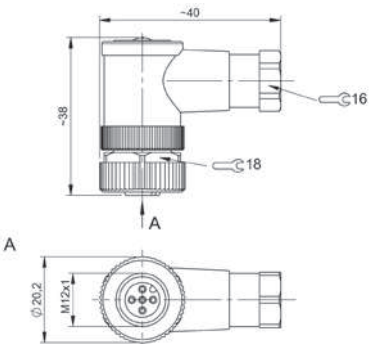
BCC09JW



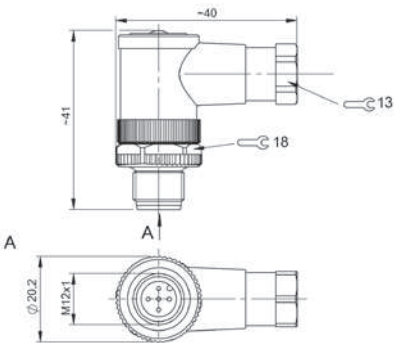
BCC086A



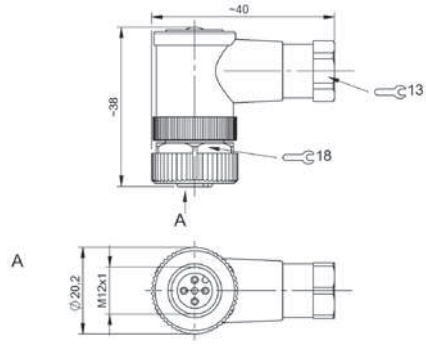
BCC062A



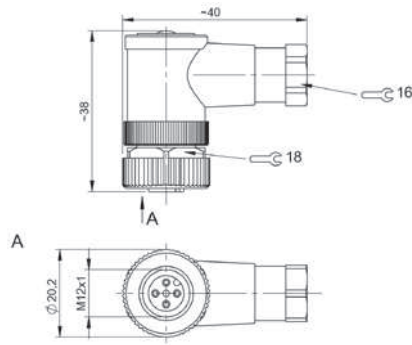
BCC062B



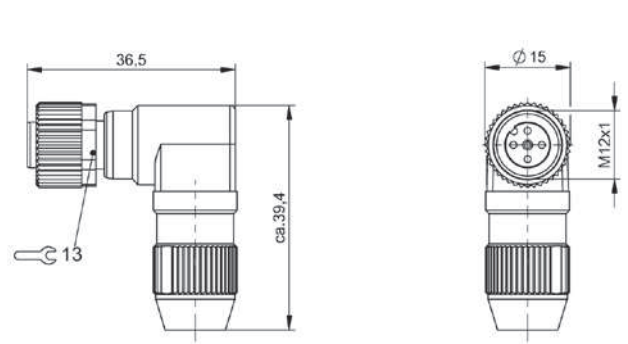
BCC062C



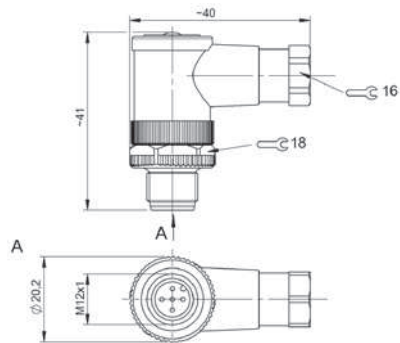
BCC062D



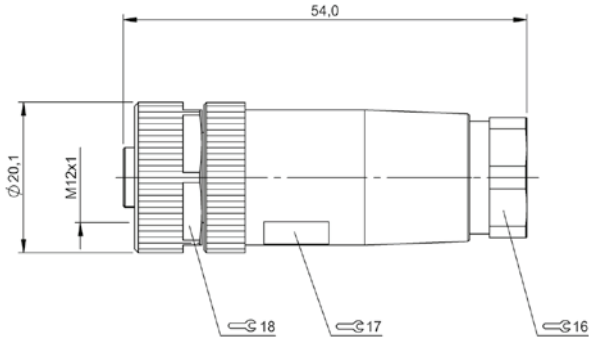
BCC062E



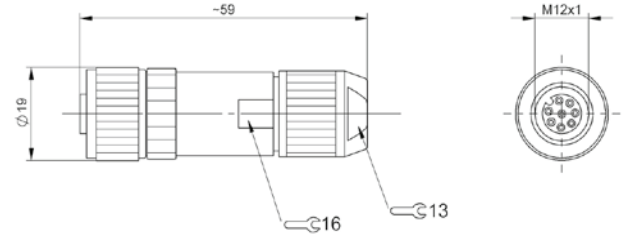
BCC062F



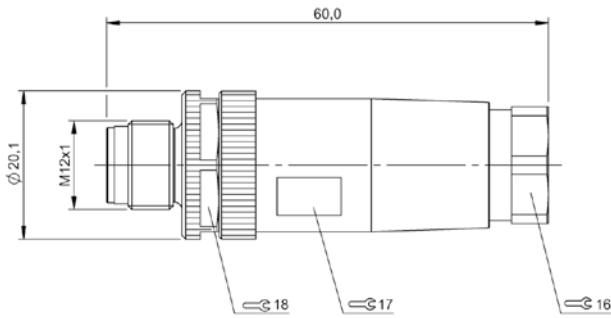
BCC062G



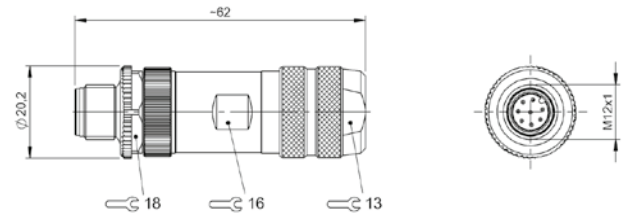
BCC0A03



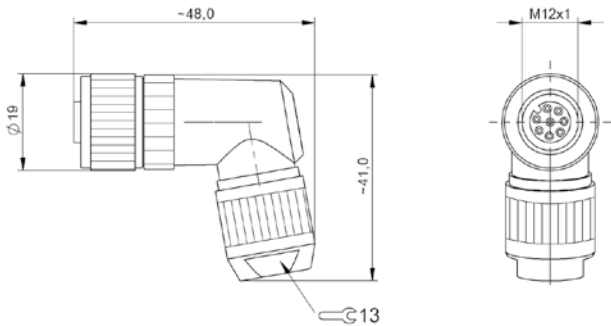
BCC04MC



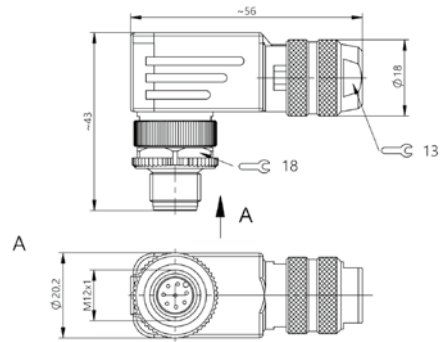
BCC0A04



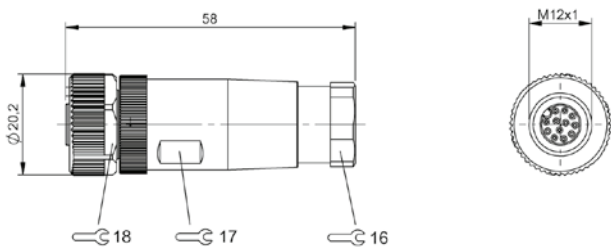
BCC0HAH



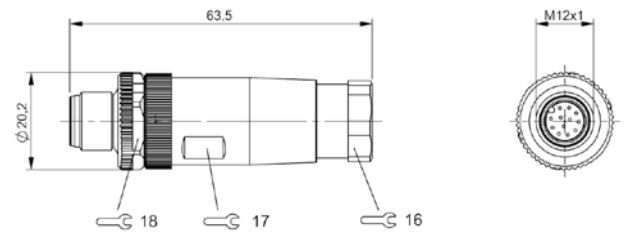
BCC04ME



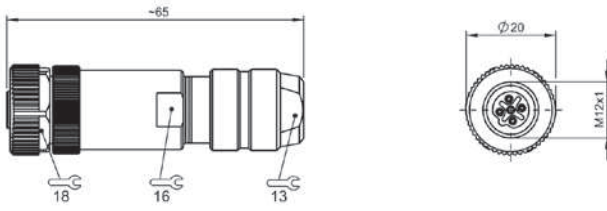
BCC0KR4



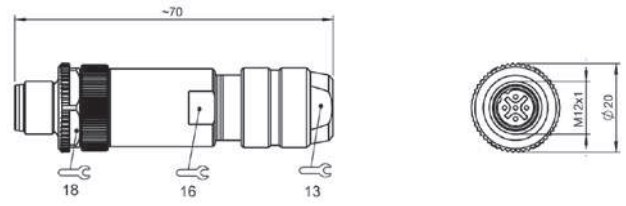
BCC0A05



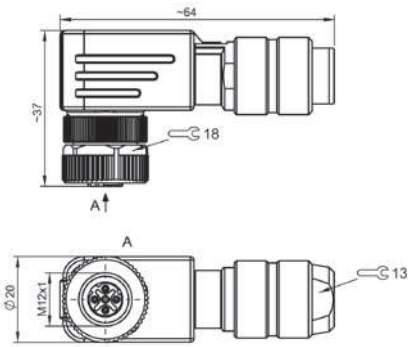
BCC0A06



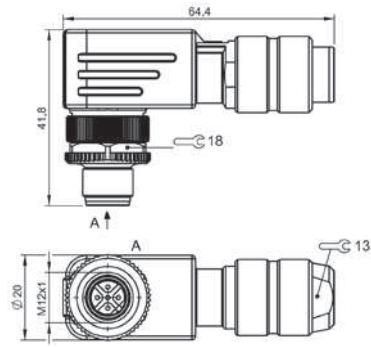
BCC0715



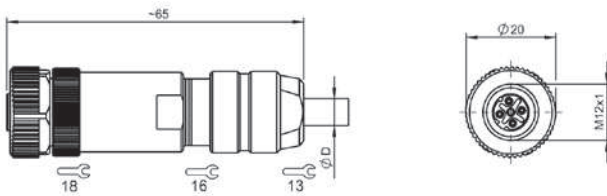
BCC0714



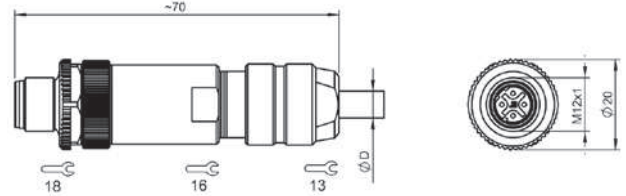
BCC0717, BCC03Y2



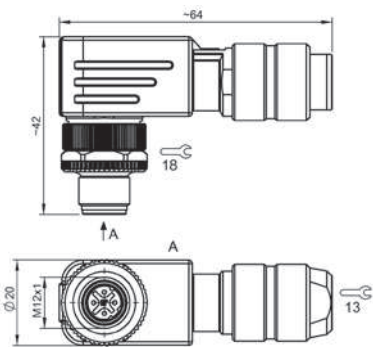
BCC0716



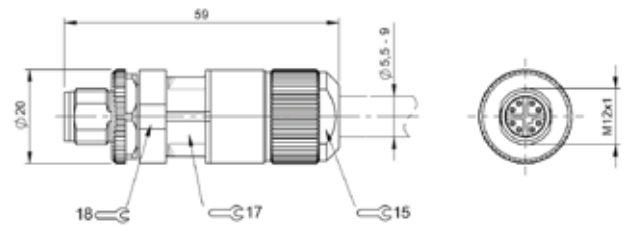
BCC03Y1



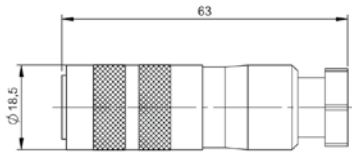
BCC03WZ



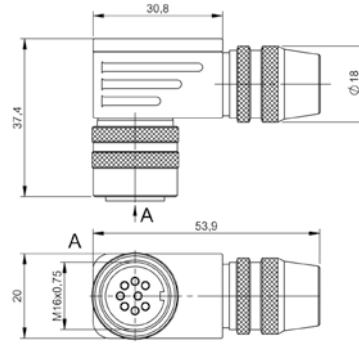
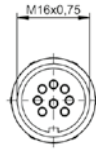
BCC03Y0



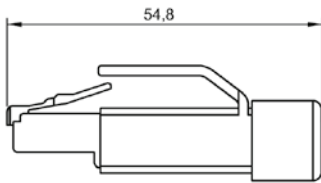
BCC0HTL



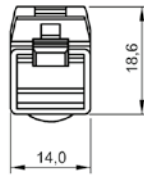
BCC00TT



BCC00UP



BCC06FH





Rugged for optimized connecting

BULKHEADS



We offer you an extensive product range of bulkheads. Our plug connectors RJ45 and M12 (A-, B- and D-coded) in various designs are exceptionally robust, resistant to shock and vibration.

High dust and water protection and high-quality materials distinguish connectors from Balluff. They ensure a reliable and rapid connection through the control cabinet wall or other housings.

The most important benefits

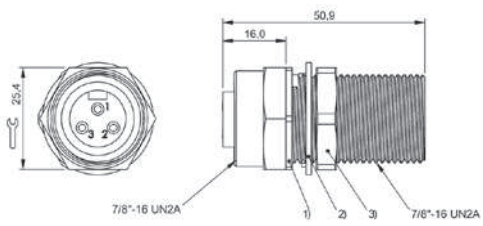
- High dust and water protection
- Extensive product range with various designs
- For reliable, fast connecting
- Robust and industrial grade
- High-quality materials



	BCC0A7M BCC A353-A353-30-RN036-000	BCC0723 BCC A354-A354-30-RN011-000	
Connection 1	7/8"-Female, straight, 3-pole	7/8"-Female, straight, 4-pole	
Connection 2	7/8"-16 UN2A-Male, straight, 3-pole	7/8"-16 UN2A-Male, straight, 4-pole	
Mounting	7/8"-16UN2A	7/8"-16UN2A	
Operating voltage Ub	600 VDC / 600 VAC	600 VDC / 600 VAC	
Rated current (40 °C)	13.0 A	10.0 A	
Protection degree	IP67	IP67	
Ambient temperature	-40...105 °C	-40...105 °C	
Approval/Conformity	cULus, EAC	cULus, EAC	
Productview	Page 260	Page 260	

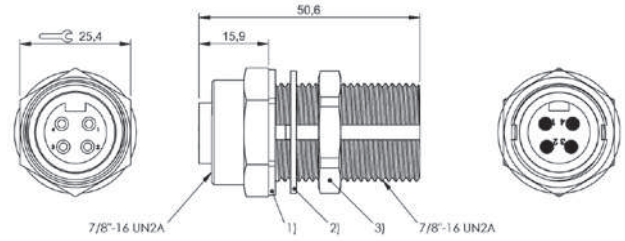


BCC0A7N BCC A355-A355-30-RN037-000	BCC06YP BCC M454-M454-5D-RM002-000	BCC085F BCC M414-E814-BG-RM013-000	BCC085H BCC M424-E814-BG-RM013-000
7/8"-Female, straight, 5-pole	M12x1-Female, straight, 4-pole, D-coded	M12x1-Female, straight, 4-pole, D-coded	M12x1-Female, angled, 4-pole, D-coded
7/8"-16 UN2A-Male, straight, 5-pole	M12x1-Female, straight, 4-pole, D-coded	RJ45-Female, straight, 4-pole	RJ45-Female, straight, 4-pole
7/8"-16UN2A	M16x1.5	M16x1.5	M16x1.5
600 VDC / 600 VAC	60 VDC / 60 VAC	60 VDC / 60 VAC	60 VDC / 60 VAC
8.0 A	4.0 A	0.5 A	0.5 A
IP67	IP67/IP67	IP20	IP20
-40...105 °C	-25...80 °C	-20...80 °C	-20...80 °C
cULus, EAC	EAC	EAC	EAC
Page 260	Page 260	Page 260	Page 260

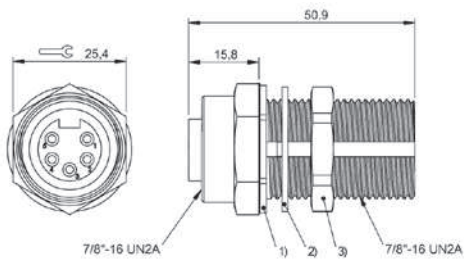


1) Locknut, 2) Washer, 3) O-ring

BCC0A7M

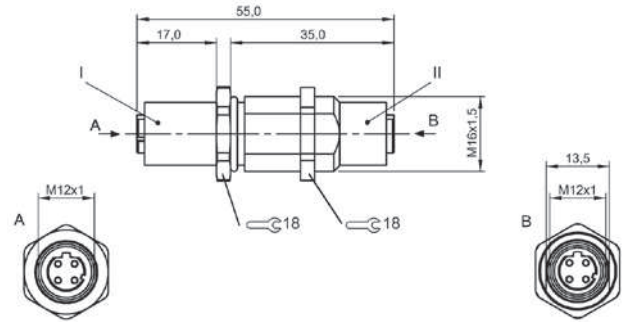


BCC0723

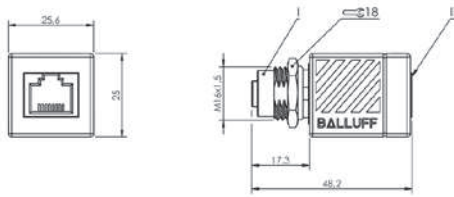


1) Locknut, 2) Washer, 3) O-ring

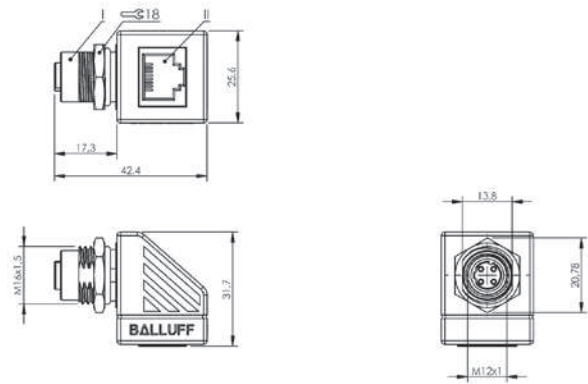
BCC0A7M



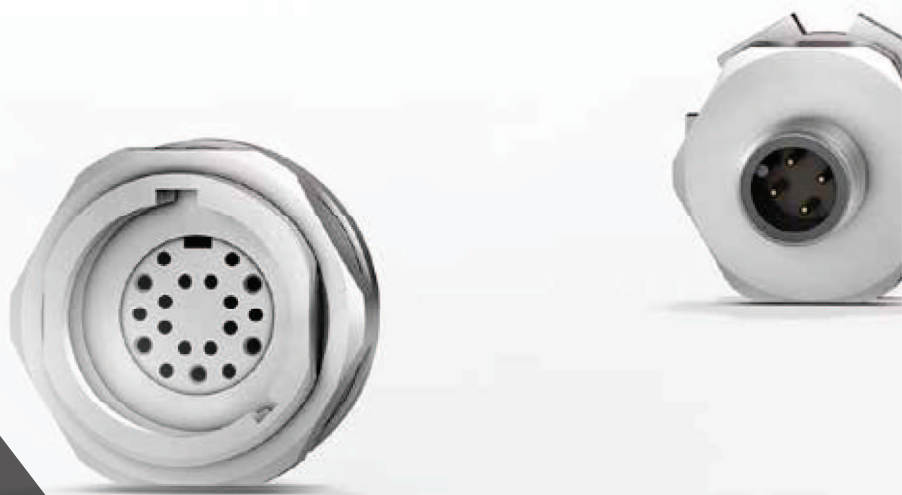
BCC06YP



BCC085F



BCC085H



Rugged for secure connections

RECEPTACLES



With Balluff you can select from a wide, flexibly applicable product range of receptacles in M8 and M12 sizes. You can get the connectors in 3-, 4-, 5-, 8- and 12-pin versions. All connectors are made of rugged metal, comply with IP67 and are resistant to shock and vibration.

The most important benefits

- With socket and plug
- Robust metal designs
- Resistant to shocks and vibration
- High-quality materials
- Protection class IP67
- Different strand lengths available
- Wide range of products
- Flexible in application

Sensors

RFID

Machine Vision and
Optical Identification

Human Machine
Interfaces

Safety

Industrial Networking

Software and
System Solutions

Power Supply

Connectivity

Accessories



	BCC0E63 BCC A354-0000-10-RN010-006	BCC0720 BCC A354-0000-10-RN010-020	BCC098M BCC A355-0000-10-RN022-006	
Connection	7/8"-Female, straight, 4-pole	7/8"-Female, straight, 4-pole	7/8"-Female, straight, 5-pole	
Number of conductors	4	4	5	
Conductor cross-section	16 AWG	16 AWG	16 AWG	
Lead length L	0.60 m	2.00 m	0.60 m	
Operating voltage U _b	600 VDC / 600 VAC	600 VDC / 600 VAC	600 VDC / 600 VAC	
Rated current (40 °C)	10.0 A	10.0 A	8.0 A	
Protection degree	IP67	IP67	IP67	
Cable temperature, fixed routing	-40...105 °C	-40...105 °C	-40...105 °C	
Approval/Conformity	cULus, EAC	cULus, EAC	cULus, EAC	
Productview	Page 278	Page 278	Page 278	



	BCC098N BCC A355-0000-10-RN022-020	BCC0CU2 BCC A353-0000-10-RN057-006	BCC0CU3 BCC A353-0000-10-RN057-020	BCC0CU6 BCC A354-0000-10-RN059-006	BCC0CU7 BCC A354-0000-10-RN059-020
	7/8"-Female, straight, 5-pole	7/8"-Female, straight, 3-pole	7/8"-Female, straight, 3-pole	7/8"-Female, straight, 4-pole	7/8"-Female, straight, 4-pole
	5	3	3	4	4
	16 AWG	16 AWG	16 AWG	16 AWG	16 AWG
	2.00 m	0.60 m	2.00 m	0.60 m	2.00 m
	600 VDC / 600 VAC	600 VDC / 600 VAC	600 VDC / 600 VAC	600 VDC / 600 VAC	600 VDC / 600 VAC
	8.0 A	13.0 A	13.0 A	10.0 A	10.0 A
	IP67	IP67	IP67	IP67	IP67
	-40...105 °C	-40...105 °C	-40...105 °C	-40...105 °C	-40...105 °C
	cULus, EAC	cULus, EAC	cULus, EAC	cULus, EAC	cULus, EAC
	Page 278	Page 278	Page 278	Page 278	Page 278



	BCC0E64 BCC A354-0000-20-RN010-006	BCC0722 BCC A354-0000-20-RN010-020	BCC098P BCC A355-0000-20-RN022-006	
Connection	7/8"-Male, straight, 4-pole	7/8"-Male, straight, 4-pole	7/8"-Male, straight, 5-pole	
Number of conductors	4	4	5	
Conductor cross-section	16 AWG	16 AWG	16 AWG	
Lead length L	0.60 m	2.00 m	0.60 m	
Operating voltage U _b	600 VDC / 600 VAC	600 VDC / 600 VAC	600 VDC / 600 VAC	
Rated current (40 °C)	10.0 A	10.0 A	8.0 A	
Protection degree	IP67	IP67	IP67	
Cable temperature, fixed routing	-40...105 °C	-40...105 °C	-40...105 °C	
Approval/Conformity	cULus, EAC	cULus, EAC	cULus, EAC	
Productview	Page 278	Page 278	Page 278	



	BCC098R BCC A355-0000-20-RN022-020	BCC0CU4 BCC A353-0000-20-RN057-006	BCC0CU5 BCC A353-0000-20-RN057-020	BCC0CU9 BCC A354-0000-20-RN059-006	BCC0CUA BCC A354-0000-20-RN059-020
	7/8"-Male, straight, 5-pole	7/8"-Male, straight, 3-pole	7/8"-Male, straight, 3-pole	7/8"-Male, straight, 4-pole	7/8"-Male, straight, 4-pole
	5	3	3	4	4
	16 AWG	16 AWG	16 AWG	16 AWG	16 AWG
	2.00 m	0.60 m	2.00 m	0.60 m	2.00 m
	600 VDC / 600 VAC	600 VDC / 600 VAC	600 VDC / 600 VAC	600 VDC / 600 VAC	600 VDC / 600 VAC
	8.0 A	13.0 A	13.0 A	10.0 A	10.0 A
	IP67	IP67	IP67	IP67	IP67
	-40...105 °C	-40...105 °C	-40...105 °C	-40...105 °C	-40...105 °C
	cULus, EAC	cULus, EAC	cULus, EAC	cULus, EAC	cULus, EAC
	Page 278	Page 278	Page 278	Page 278	Page 278



	BCC0E4Y BCC M353-0000-10-RM049-005	BCC0E4Z BCC M353-0000-10-RM049-020	BCC0E35 BCC M354-0000-10-RM050-005	
Connection	M8x1-Female, straight, 3-pole, A-coded	M8x1-Female, straight, 3-pole, A-coded	M8x1-Female, straight, 4-pole, A-coded	
Number of conductors	3	3	4	
Conductor cross-section	0.25 mm ²	0.25 mm ²	0.25 mm ²	
Lead length L	0.50 m	2.00 m	0.50 m	
Operating voltage U _b	60 VDC / 60 VAC	60 VDC / 60 VAC	30 VDC / 30 VAC	
Rated current (40 °C)	4.0 A	4.0 A	4.0 A	
Protection degree	IP67	IP67	IP67	
Cable temperature, fixed routing	-25...85 °C	-25...85 °C	-25...85 °C	
Approval/Conformity	EAC	EAC	EAC	
Productview	Page 279	Page 279	Page 279	



BCC0E38 BCC M354-0000-10-RM050-020	BCC0E50 BCC M353-0000-20-RM049-005	BCC0E51 BCC M353-0000-20-RM049-020	BCC0E27 BCC M354-0000-20-RM050-005	BCC0E32 BCC M354-0000-20-RM050-020
M8x1-Female, straight, 4-pole, A-coded	M8x1-Male, straight, 3-pole, A-coded	M8x1-Male, straight, 3-pole, A-coded	M8x1-Male, straight, 4-pole, A-coded	M8x1-Male, straight, 4-pole, A-coded
4	3	3	4	4
0.25 mm ²	0.25 mm ²	0.25 mm ²	0.25 mm ²	0.25 mm ²
2.00 m	0.50 m	2.00 m	0.50 m	2.00 m
30 VDC / 30 VAC	60 VDC / 60 VAC	60 VDC / 60 VAC	30 VDC / 30 VAC	30 VDC / 30 VAC
4.0 A	4.0 A	4.0 A	4.0 A	4.0 A
IP67	IP67	IP67	IP67	IP67
-25...85 °C	-25...85 °C	-25...85 °C	-25...85 °C	-25...85 °C
EAC	EAC	EAC	EAC	EAC
Page 279	Page 279	Page 279	Page 279	Page 279



	BCC09JZ BCC M455-0000-1A-RM014-005	BCC0E54 BCC M455-0000-1A-RM014-020	BCC099C BCC M455-0000-1A-RM020-005	
Connection	M12x1-Female, straight, 5-pole, A-coded	M12x1-Female, straight, 5-pole, A-coded	M12x1-Female, straight, 4-pole, A-coded	
Number of conductors	5	5	4	
Conductor cross-section	0.25 mm ²	0.25 mm ²	0.25 mm ²	
Lead length L	0.50 m	2.00 m	0.50 m	
Operating voltage U _b	125 VDC / 125 VAC	125 VDC / 125 VAC	250 VDC / 250 VAC	
Rated current (40 °C)	4.0 A	4.0 A	4.0 A	
Protection degree	IP68	IP68	IP68	
Cable temperature, fixed routing	-25...85 °C	-25...85 °C	-25...85 °C	
Approval/Conformity	EAC	EAC	EAC	
Productview	Page 279	Page 279	Page 279	



	BCCOCAE BCC M455-0000-1A-RM020-020	BCCOE55 BCC M458-0000-1A-RM015-005	BCCOE56 BCC M458-0000-1A-RM015-020	BCCOE59 BCC M45C-0000-1A-RM081-005	BCCOE5A BCC M45C-0000-1A-RM081-020
	M12x1-Female, straight, 4-pole, A-coded	M12x1-Female, straight, 8-pole, A-coded	M12x1-Female, straight, 8-pole, A-coded	M12x1-Female, straight, 12-pole, A-coded	M12x1-Female, straight, 12-pole, A-coded
	4	8	8	12	12
	0.25 mm ²	0.25 mm ²	0.25 mm ²	0.14 mm ²	0.14 mm ²
	2.00 m	0.50 m	2.00 m	0.50 m	2.00 m
	250 VDC / 250 VAC	60 VDC / 60 VAC	60 VDC / 60 VAC	30 VDC / 30 VAC	30 VDC / 30 VAC
	4.0 A	2.0 A	2.0 A	1.0 A	1.0 A
	IP68	IP68	IP68	IP68	IP68
	-25...85 °C	-25...85 °C	-25...85 °C	-25...85 °C	-25...85 °C
	EAC	EAC	EAC	EAC	EAC
	Page 279	Page 279	Page 279	Page 279	Page 279



	BCC0CZ0 BCC M454-0000-1A-RN060-006	BCC0CZ1 BCC M454-0000-1A-RN060-020	BCC0CZ8 BCC M455-0000-1A-RN063-006	
Connection	M12x1-Female, straight, 4-pole, A-coded	M12x1-Female, straight, 4-pole, A-coded	M12x1-Female, straight, 5-pole, A-coded	
Number of conductors	4	4	5	
Conductor cross-section	22 AWG	22 AWG	22 AWG	
Lead length L	0.60 m	2.00 m	0.60 m	
Operating voltage U_b	300 VDC / 300 VAC	300 VDC / 300 VAC	300 VDC / 300 VAC	
Rated current (40 °C)	4.0 A	4.0 A	4.0 A	
Protection degree	IP67	IP67	IP67	
Cable temperature, fixed routing	-40...105 °C	-40...105 °C	-40...105 °C	
Approval/Conformity	cULus, EAC	cULus, EAC	cULus, EAC	
Productview	Page 280	Page 280	Page 280	



	BCCOCZ9 BCC M455-0000-1A-RN063-020	BCCOE1K BCC M458-0000-1A-RN066-006	BCCOE1L BCC M458-0000-1A-RN066-020	BCCOCWL BCC M454-0000-1A-RN053-006	BCCOCWM BCC M454-0000-1A-RN053-020
	M12x1-Female, straight, 5-pole, A-coded	M12x1-Female, straight, 8-pole, A-coded	M12x1-Female, straight, 8-pole, A-coded	M12x1-Female, straight, 4-pole, A-coded	M12x1-Female, straight, 4-pole, A-coded
	5	8	8	4	4
	22 AWG	24 AWG	24 AWG	22 AWG	22 AWG
	2.00 m	0.60 m	2.00 m	0.60 m	2.00 m
	300 VDC / 300 VAC	60 VDC / 60 VAC	60 VDC / 60 VAC	300 VDC / 300 VAC	300 VDC / 300 VAC
	4.0 A	2.0 A	2.0 A	4.0 A	4.0 A
	IP67	IP67	IP67	IP67	IP67
	-40...105 °C	-40...105 °C	-40...105 °C	-40...105 °C	-40...105 °C
	cULus, EAC	cULus, EAC	cULus, EAC	cULus, EAC	cULus, EAC
	Page 280	Page 280	Page 280	Page 280	Page 280



	BCC0CZ6 BCC M455-0000-1A-RN054-006	BCC0CZ7 BCC M455-0000-1A-RN054-020	BCC0CYY BCC M458-0000-1A-RN056-006	
Connection	M12x1-Female, straight, 5-pole, A-coded	M12x1-Female, straight, 5-pole, A-coded	M12x1-Female, straight, 8-pole, A-coded	
Number of conductors	5	5	8	
Conductor cross-section	22 AWG	22 AWG	24 AWG	
Lead length L	0.60 m	2.00 m	0.60 m	
Operating voltage U_b	300 VDC / 300 VAC	300 VDC / 300 VAC	60 VDC / 60 VAC	
Rated current (40 °C)	4.0 A	4.0 A	2.0 A	
Protection degree	IP67	IP67	IP67	
Cable temperature, fixed routing	-40...105 °C	-40...105 °C	-40...105 °C	
Approval/Conformity	cULus, EAC	cULus, EAC	cULus, EAC	
Productview	Page 280	Page 280	Page 280	



	BCC0CYZ BCC M458-0000-1A-RN056-020	BCC099A BCC M454-0000-2A-RM020-005	BCC0E53 BCC M454-0000-2A-RM020-020	BCC09K0 BCC M455-0000-2A-RM014-005	BCC0E5F BCC M455-0000-2A-RM014-020
	M12x1-Female, straight, 8-pole, A-coded	M12x1-Male, straight, 4-pole, A-coded	M12x1-Male, straight, 4-pole, A-coded	M12x1-Male, straight, 5-pole, A-coded	M12x1-Male, straight, 5-pole, A-coded
	8	4	4	5	5
	24 AWG	0.25 mm ²	0.25 mm ²	0.25 mm ²	0.25 mm ²
	2.00 m	0.50 m	2.00 m	0.50 m	2.00 m
	60 VDC / 60 VAC	250 VDC / 250 VAC	250 VDC / 250 VAC	250 VDC / 250 VAC	125 VDC / 125 VAC
	2.0 A	4.0 A	4.0 A	4.0 A	4.0 A
	IP67	IP68	IP68	IP68	IP68
	-40...105 °C	-25...85 °C	-25...85 °C	-25...85 °C	-25...85 °C
	cULus, EAC	EAC	EAC	EAC	EAC
	Page 280	Page 280	Page 280	Page 281	Page 281



	BCC0E57 BCC M458-0000-2A-RM015-005	BCC0E58 BCC M458-0000-2A-RM015-020	BCC0E5C BCC M45C-0000-2A-RM081-005	
Connection	M12x1-Male, straight, 8-pole, A-coded	M12x1-Male, straight, 8-pole, A-coded	M12x1-Male, straight, 12-pole, A-coded	
Number of conductors	8	8	12	
Conductor cross-section	0.25 mm ²	0.25 mm ²	0.14 mm ²	
Lead length L	0.50 m	2.00 m	0.50 m	
Operating voltage U _b	60 VDC / 60 VAC	60 VDC / 60 VAC	30 VDC / 30 VAC	
Rated current (40 °C)	2.0 A	2.0 A	1.0 A	
Protection degree	IP68	IP68	IP68	
Cable temperature, fixed routing	-25...85 °C	-25...85 °C	-25...85 °C	
Approval/Conformity	EAC	EAC	EAC	
Productview	Page 281	Page 281	Page 281	



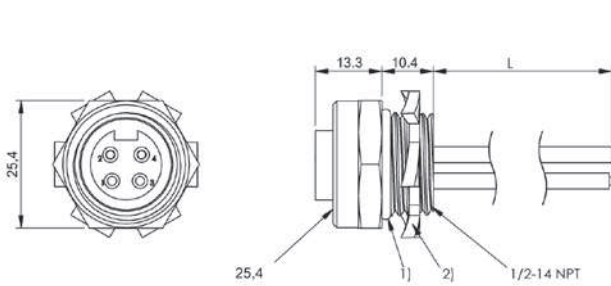
	BCC0E5E BCC M45C-0000-2A-RM081-020	BCC0CZ4 BCC M454-0000-2A-RN060-006	BCC0CZ5 BCC M454-0000-2A-RN060-020	BCC0CYR BCC M455-0000-2A-RN063-006	BCC0CYT BCC M455-0000-2A-RN063-020
	M12x1-Male, straight, 12-pole, A-coded	M12x1-Male, straight, 4-pole, A-coded	M12x1-Male, straight, 4-pole, A-coded	M12x1-Male, straight, 5-pole, A-coded	M12x1-Male, straight, 5-pole, A-coded
	12	4	4	5	5
	0.14 mm ²	22 AWG	22 AWG	22 AWG	22 AWG
	2.00 m	0.60 m	2.00 m	0.60 m	2.00 m
	30 VDC / 30 VAC	300 VDC / 300 VAC	300 VDC / 300 VAC	300 VDC / 300 VAC	300 VDC / 300 VAC
	1.0 A	4.0 A	4.0 A	4.0 A	4.0 A
	IP68	IP67	IP67	IP67	IP67
	-25...85 °C	-40...105 °C	-40...105 °C	-40...105 °C	-40...105 °C
	EAC	cULus, EAC	cULus, EAC	cULus, EAC	cULus, EAC
	Page 281	Page 281	Page 281	Page 281	Page 281



	BCC0E1M BCC M458-0000-2A-RN066-006	BCC0CYK BCC M458-0000-2A-RN066-020	BCC0CZ2 BCC M454-0000-2A-RN053-006	
Connection	M12x1-Male, straight, 8-pole, A-coded	M12x1-Male, straight, 8-pole, A-coded	M12x1-Male, straight, 4-pole, A-coded	
Number of conductors	8	8	4	
Conductor cross-section	24 AWG	24 AWG	22 AWG	
Lead length L	0.60 m	2.00 m	0.60 m	
Operating voltage U_b	60 VDC / 60 VAC	60 VDC / 60 VAC	300 VDC / 300 VAC	
Rated current (40 °C)	2.0 A	2.0 A	4.0 A	
Protection degree	IP67	IP67	IP67	
Cable temperature, fixed routing	-40...105 °C	-40...105 °C	-40...105 °C	
Approval/Conformity	cULus, EAC	cULus, EAC	cULus, EAC	
Productview	Page 281	Page 281	Page 281	

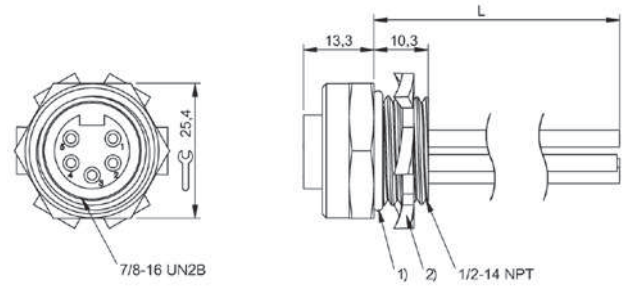


	BCCOCZ3 BCC M454-0000-2A-RN053-020	BCCOCYN BCC M455-0000-2A-RN054-006	BCCOCYP BCC M455-0000-2A-RN054-020	BCCOCYC BCC M458-0000-2A-RN056-006	BCCOCYE BCC M458-0000-2A-RN056-020
	M12x1-Male, straight, 4-pole, A-coded	M12x1-Male, straight, 5-pole, A-coded	M12x1-Male, straight, 5-pole, A-coded	M12x1-Male, straight, 8-pole, A-coded	M12x1-Male, straight, 8-pole, A-coded
	4	5	5	8	8
	22 AWG	22 AWG	22 AWG	24 AWG	24 AWG
	2.00 m	0.60 m	2.00 m	0.60 m	2.00 m
	300 VDC / 300 VAC	300 VDC / 300 VAC	300 VDC / 300 VAC	60 VDC / 60 VAC	60 VDC / 60 VAC
	4.0 A	4.0 A	4.0 A	2.0 A	2.0 A
	IP67	IP67	IP67	IP67	IP67
	-40...105 °C	-40...105 °C	-40...105 °C	-40...105 °C	-40...105 °C
	cULus, EAC	cULus, EAC	cULus, EAC	cULus, EAC	cULus, EAC
	Page 281	Page 282	Page 282	Page 282	Page 282



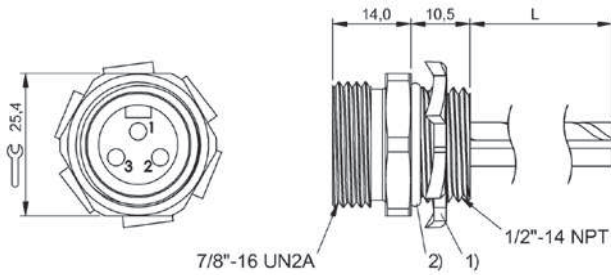
1) O-ring, 2) Lockwasher

BCC0E63, BCC0720



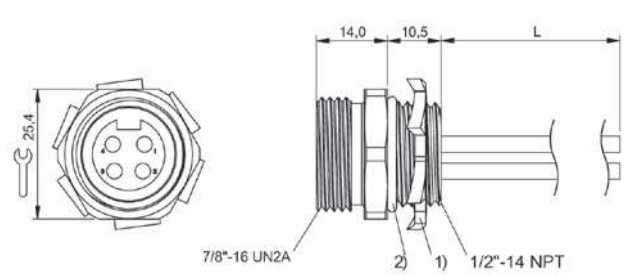
1) O-ring, 2) Locknut

BCC098M, BCC098N



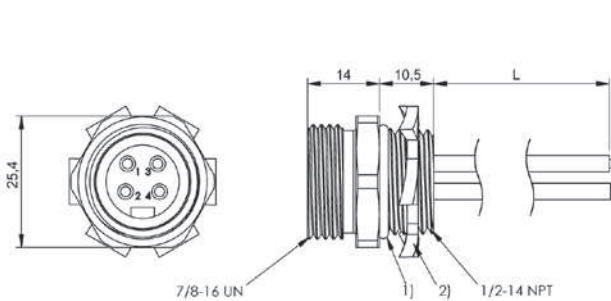
1) Hex nut, 2) O-ring

BCC0CU2, BCC0CU3



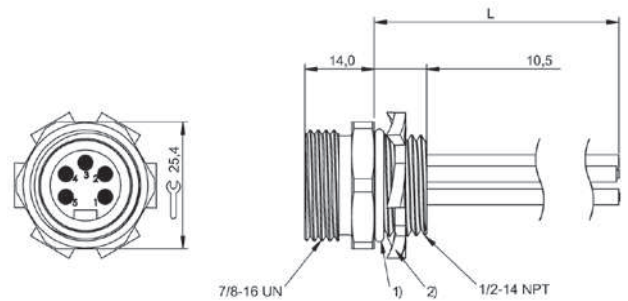
1) Hex nut, 2) O-ring

BCC0CU6, BCC0CU7



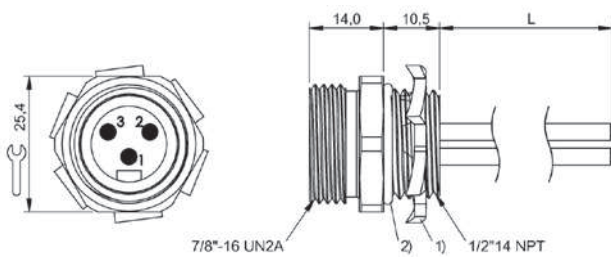
1) O-ring, 2) Lockwasher

BCC0E64, BCC0722



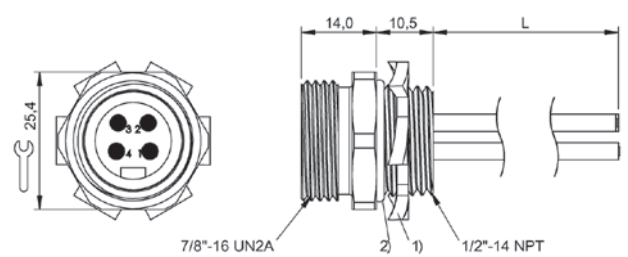
1) O-ring, 2) Locknut

BCC098P, BCC098R



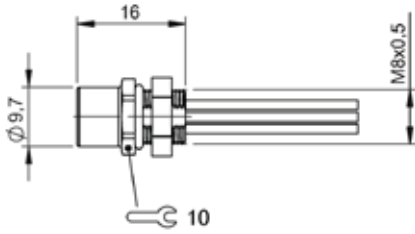
1) Hex nut, 2) O-ring

BCC0CU4, BCC0CU5

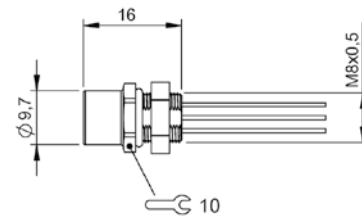


1) Hex nut, 2) O-ring

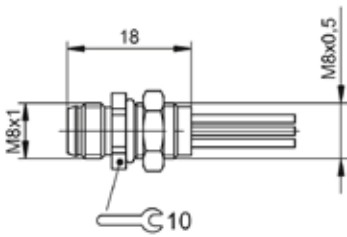
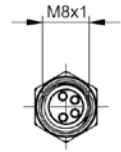
BCC0CU9, BCC0CUA



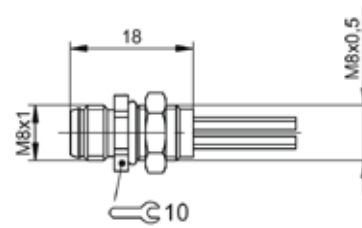
BCC0E4Y, BCC0E4Z



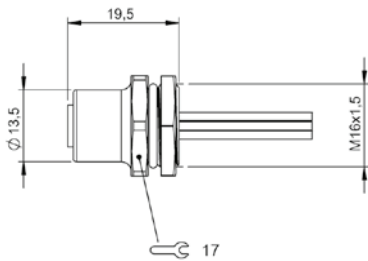
BCC0E35, BCC0E38



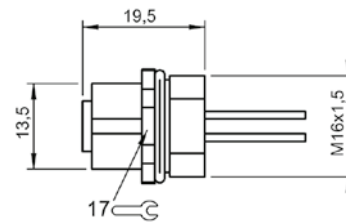
BCC0E50, BCC0E51



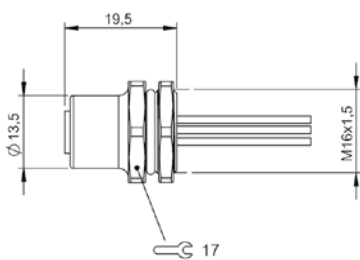
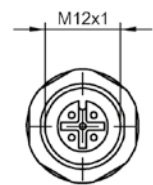
BCC0E2Z, BCC0E32



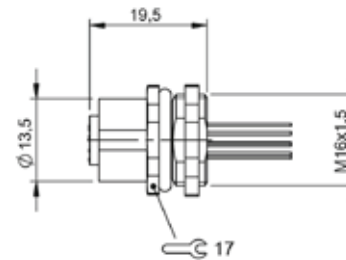
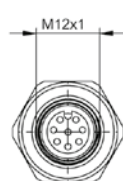
BCC09JZ, BCC0E54



BCC099C, BCC0CAE

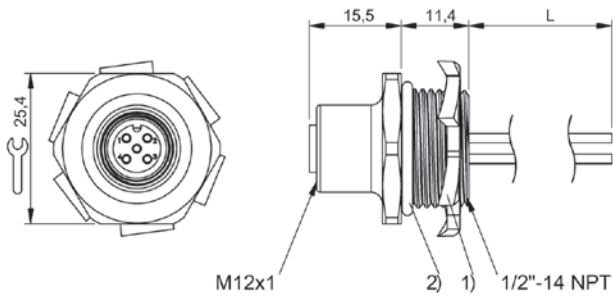


BCC0E55, BCC0E56



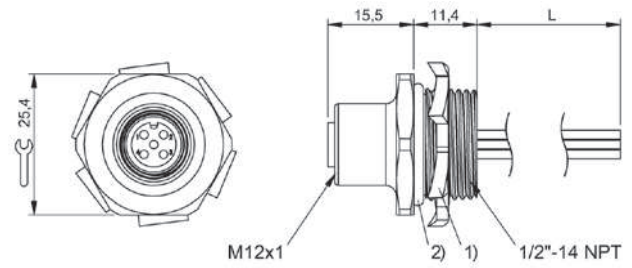
BCC0E59, BCC0E5A





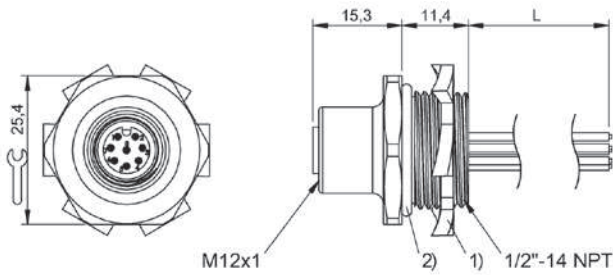
1) Hex nut, 2) O-ring

BCC0CZ0, BCC0CZ1



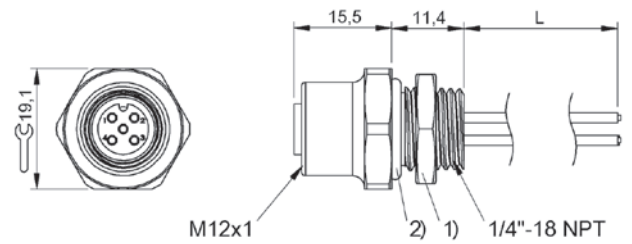
1) Hex nut, 2) O-ring

BCC0CZ8, BCC0CZ9



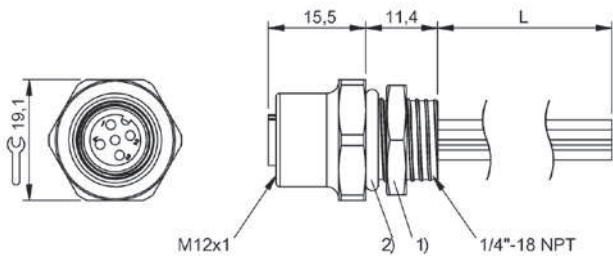
1) Hex nut, 2) O-ring

BCC0E1K, BCC0E1L



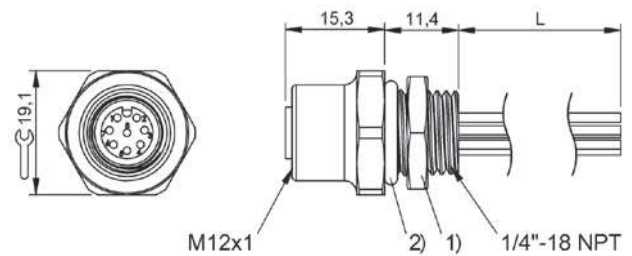
1) Hex nut, 2) O-ring

BCC0CWL, BCC0CWM



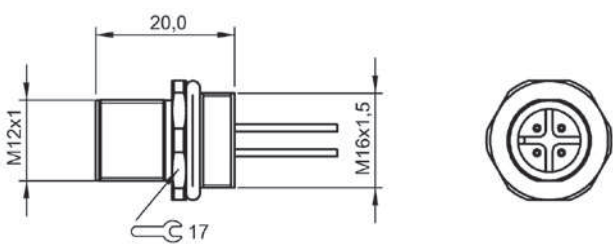
1) Hex nut, 2) O-ring

BCC0CZ6, BCC0CZ7

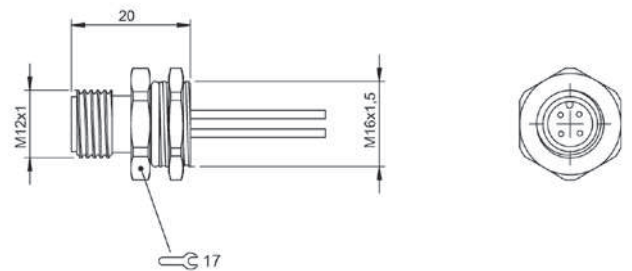


1) Hex nut, 2) O-ring

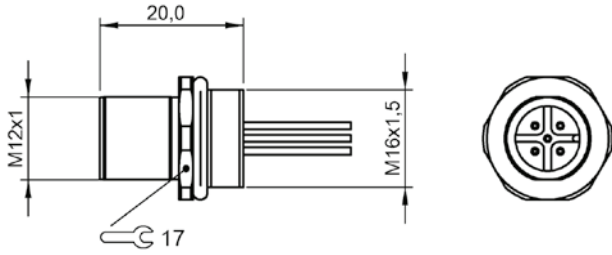
BCC0CY, BCC0CZ



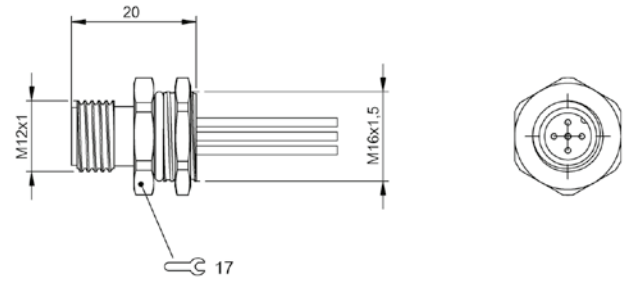
BCC099A



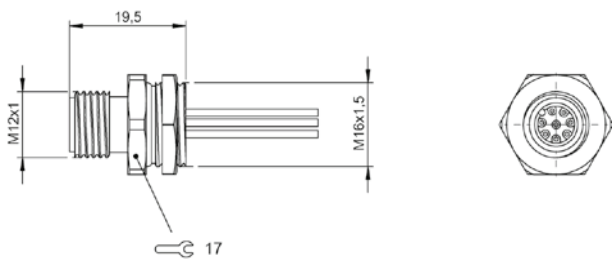
BCC0E53



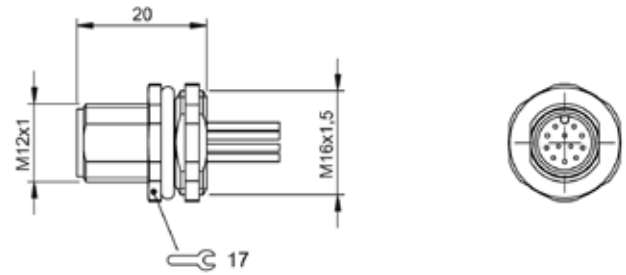
BCC09K0



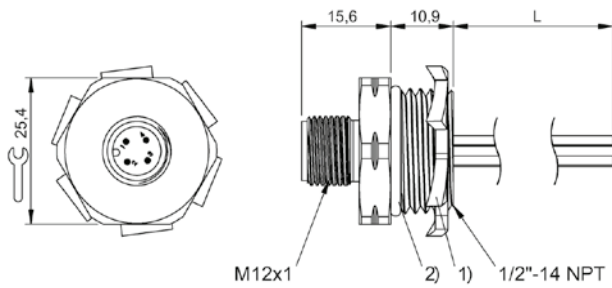
BCC0E5F



BCC0E57, BCC0E58

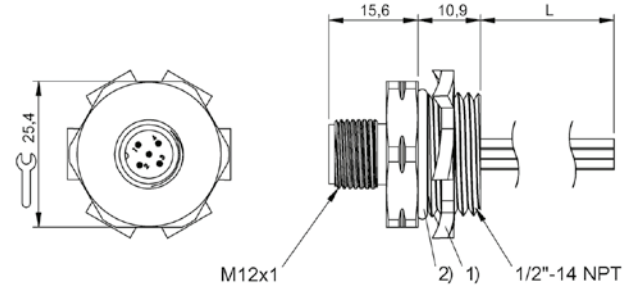


BCC0E5C, BCC0E5E



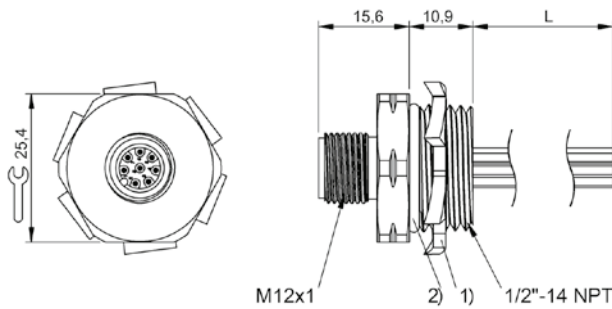
1) Hex nut, 2) O-ring

BCC0CZ4, BCC0CZ5



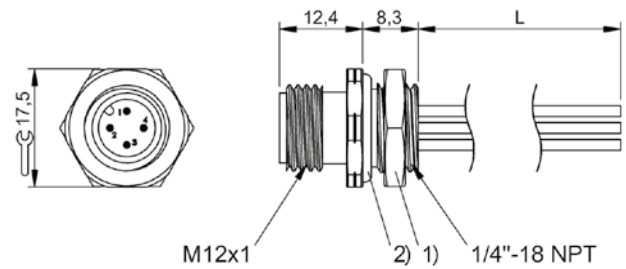
1) Hex nut, 2) O-ring

BCC0CYR, BCC0CYT



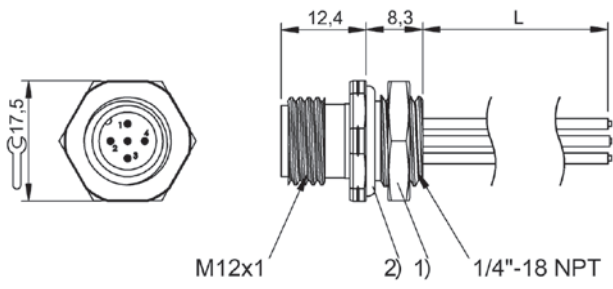
1) Hex nut, 2) O-ring

BCC0E1M, BCC0CYK



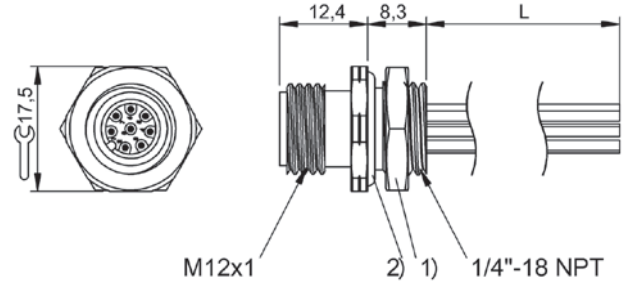
1) Hex nut, 2) O-ring

BCC0CZ2, BCC0CZ3



1) Hex nut, 2) O-ring

BCC0CYN, BCC0CYP



1) Hex nut, 2) O-ring

BCC0CYG, BCC0CYE



Problem solvers in installation technology

ADAPTERS



The extensive range of adapters from Balluff helps you to connect different plug connector designs quickly and reliably. We offer many solutions, all of which are rugged and industrial grade for the highest possible level of flexibility.

The most important benefits

- Robust, industrial grade
- For reliable, fast connecting
- Additional flexibility

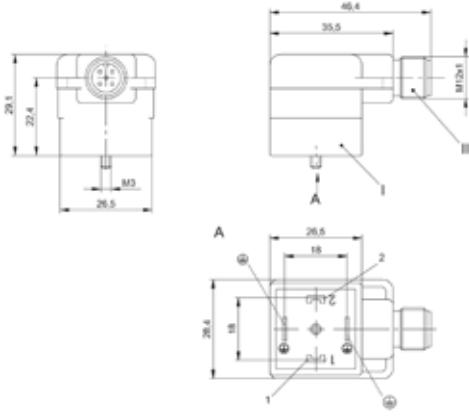


	BCC0HKZ BCC VA04-M415-3E-RA125-000	BCC0F47 BCC M313-M413-3E-RA101-000	
Connection 1	A, DIN-0°/180°-Valve connector, angled, 4-pole	M8x1-Female, straight, 3-pole, A-coded	
Connection 2	M12x1-Male, straight, 3-pole, A-coded	M12x1-Male, straight, 3-pole, A-coded	
Connection 3	—	—	
Function indicator	LED yellow	—	
Operating voltage U_b	24 VDC / 24 VAC	60 VDC / 60 VAC	
Rated current (40 °C)	4.0 A	3.0 A	
Protection degree	IP67	IP67	
Ambient temperature	-25...80 °C	-25...85 °C	
Approval/Conformity	EAC	EAC	
Productview	Page 288	Page 288	

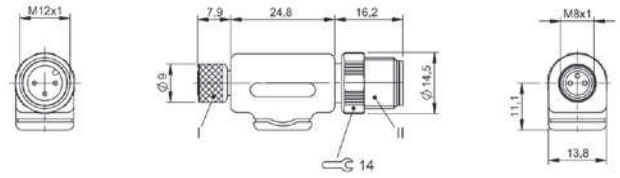


	BCCOF2Y BCC M314-M414-3E-RA102-000	BCCOF2T BCC M415-M313-3F-RA101-000	BCCOF2U BCC M415-M314-3F-RA102-000	
	M8x1-Female, straight, 4-pole, A-coded	M12x1-Female, straight, 3-pole, A-coded	M12x1-Female, straight, 4-pole, A-coded	
	M12x1-Male, straight, 4-pole, A-coded	M8x1-Male, straight, 3-pole, A-coded	M8x1-Male, straight, 4-pole, A-coded	
	—	—	—	
	—	—	—	
	30 VDC / 30 VAC	60 VDC / 60 VAC	30 VDC / 30 VAC	
	3.0 A	3.0 A	3.0 A	
	IP67	IP67	IP67	
	-25...85 °C	-25...85 °C	-25...85 °C	
	EAC	EAC	EAC	
	Page 288	Page 288	Page 288	

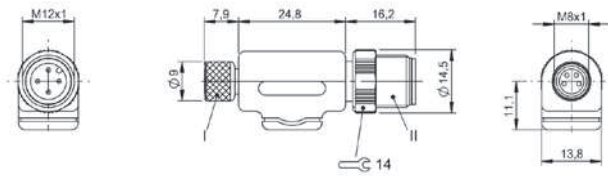
288 | Connectivity | Adapters



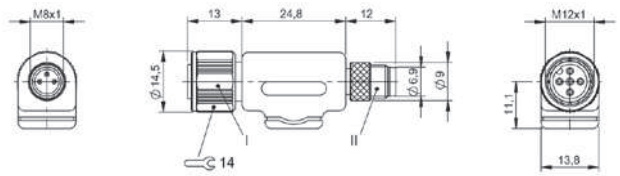
BCC0HKZ



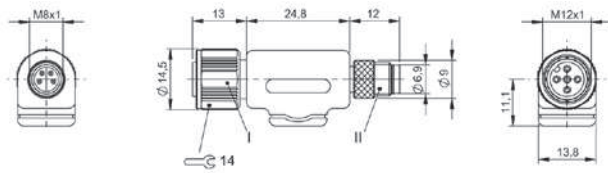
BCC0F47



BCC0F2Y



BCC0F2T



BCC0F2U



Matched to your bus system

TERMINATING RESISTORS



At Balluff you will always find the right terminating resistor. This is because we offer terminating resistors for all standard commercial bus systems: Profibus, Devicenet and CC-Link. Our broad product range includes both standard and custom components.

Available in various form factors and in molded versions. All products are best suited for rugged use in the industrial environment. Rugged, noise-resistant and extremely reliable, they contribute to the high production quality of your systems.

The most important benefits

- Robust, immune to faults
- Resistant to shocks and vibration
- Industrial grade
- IP67, optionally IP68
- High-quality materials
- Reliable
- Various designs
- Suitable for all standard commercially available field bus systems
- Supports high manufacturing quality



	BCC06Y4 BCC M415-0000-2A-R03	BCC0A0A BCC A315-0000-1A-R04	BCC0A09 BCC A315-0000-2A-R04	
Interface	CC-Link	DeviceNet	DeviceNet	
Connection	M12x1-Male, straight, 5-pole, A-coded	7/8"-Female, straight, 5-pole	7/8"-Male, straight, 5-pole	
Function indicator	—	—	—	
Protection degree	IP68	IP68	IP68	
Ambient temperature	-20...80 °C	-20...80 °C	-20...80 °C	
Approval/Conformity	EAC	EAC	EAC	
Productview	Page 294	Page 294	Page 294	



BCC0A08 BCC M415-0000-1A-R04	BCC09MR BCC M415-0000-2A-R04	BCC0C6E BCC M415-0000-1B-R01	BCC0718 BCC M415-0000-2B-R01	
DeviceNet	DeviceNet	Profibus	Profibus	
M12x1-Female, straight, 5-pole, A-coded	M12x1-Male, straight, 5-pole, A-coded	M12x1-Female, straight, 5-pole, B-coded	M12x1-Male, straight, 5-pole, B-coded	
—	—	—	—	
IP68	IP68	IP68	IP68	
-40...90 °C	-40...90 °C	-40...90 °C	-20...80 °C	
EAC	EAC	EAC	EAC	
Page 294	Page 294	Page 294	Page 294	

Sensors

RFID

Machine Vision and Optical Identification

Human Machine Interfaces

Safety

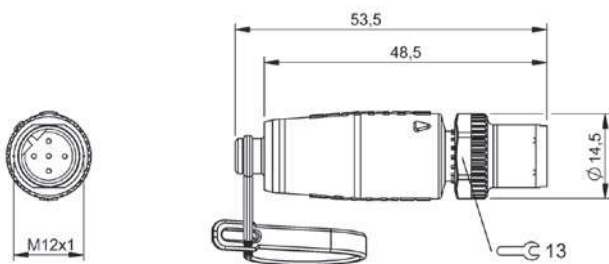
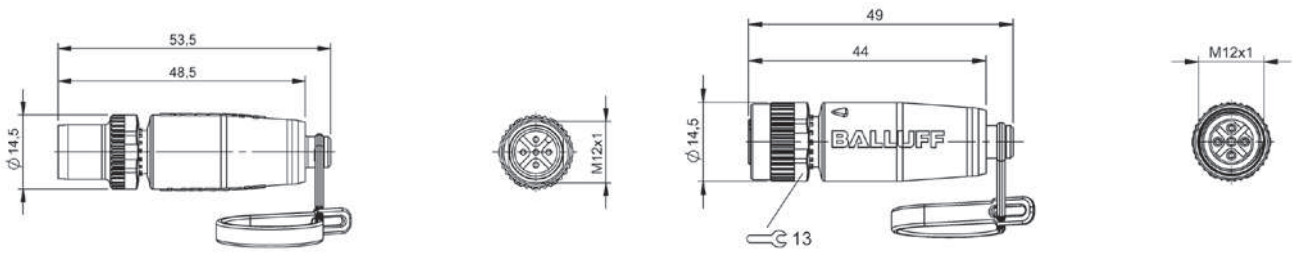
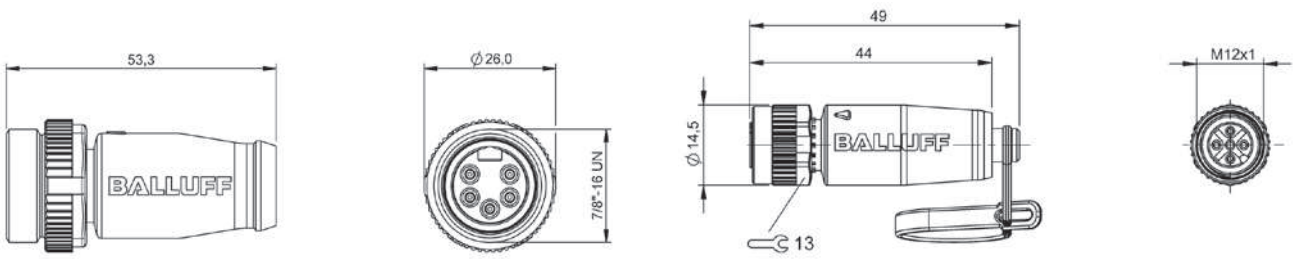
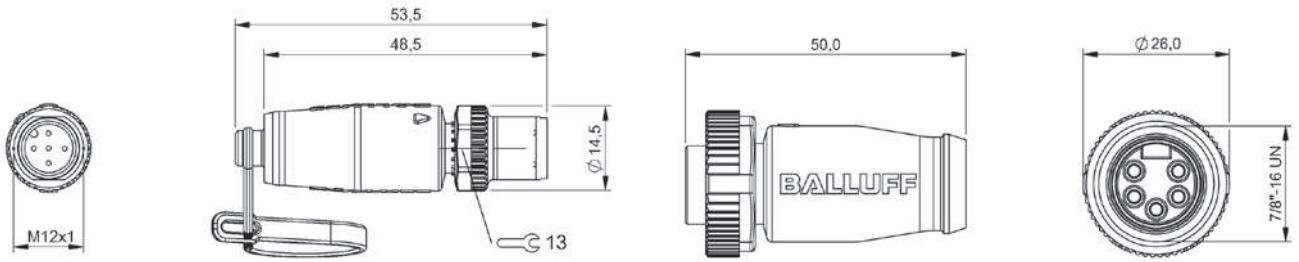
Industrial Networking

Software and System Solutions

Power Supply

Connectivity

Accessories





Universal use,
even under harsh conditions

JUNCTION BLOCKS



Junction blocks from Balluff connect sensors and actuators to the controller. They are especially suited for all applications where coolants and lubricants are used and also are ideal for harsh conditions. The fully encapsulated housing offers a high degree of media resistance and an outstanding resistance to shock and vibrations.

The most important benefits

- Easy connections
- Low space requirements
- High media resistance and precision fit with metal screw inserts
- Flexible mounting options



		BPI 4M3 ...	
Connection		Cable	
Version		M8, 4x	
Rated voltage	No LED	60 V AC/DC	
	with LED	30 V DC	
Rated current, port		3 A	
Total current max.		8 A	
Degree of protection		IP67	
3-pin, no LED		BPI 4M3030-5K-B0-KPX60①-__ _②	
3-pin, PNP-LED		BPI 4M303P-5K-B0-KPX60①-__ _②	
3-pin, NPN-LED		-	
4-pin, no LED		BPI 4M3040-5K-B0-KPXA0①-__ _②	
4-pin, PNP-LED		BPI 4M304P-5K-B0-KPXA0①-__ _②	
4-pin, NPN-LED		-	
Approval/Conformity		CE, UL, EAC	
For drawing see page		312	



	BPI 6M3 ...	BPI 8M3 ...	BPI AM3 ...
	Cable	Cable	Cable
	M8, 6x	M8, 8x	M8, 10x
	60 V AC/DC	60 V AC/DC	60 V AC/DC
	30 V DC	30 V DC	30 V DC
	3 A	3 A	3 A
	8 A	8 A	8 A
	IP67	IP67	IP67
	BPI 6M3030-5K-B0-KPX80①-__②	BPI 8M3030-5K-B0-KPXA0①-__②	BPI AM3030-5K-B0-KPXC0①-__②
	BPI 6M303P-5K-B0-KPX80①-__②	BPI 8M303P-5K-B0-KPXA0①-__②	BPI AM303P-5K-B0-KPXC0①-__②
	-	-	-
	BPI 6M3040-5K-B0-KPX0①-__②	BPI 8M3040-5K-B0-KPXK0①-__②	BPI AM3040-5K-B0-KPXP0①-__②
	BPI 6M304P-5K-B0-KPX0①-__②	BPI 8M304P-5K-B0-KPXK0①-__②	BPI AM304P-5K-B0-KPXP0①-__②
	-	-	-
	CE, UL, EAC	CE, UL, EAC	CE, UL, EAC
	312, 313	313	314

①	Material	Color	Number of conductors x conductor cross-section	Cable temperature fixed in place	Cable temperature flexed
KPX60	PUR	Black	2 × 0.75 mm ² 4 × 0.34 mm ²	-25...+80 °C	-5...+80 °C
KPX80	PUR	Black	2 × 0.75 mm ² 6 × 0.34 mm ²	-25...+80 °C	-5...+80 °C
KPXA0	PUR	Black	2 × 0.75 mm ² 8 × 0.34 mm ²	-25...+80 °C	-5...+80 °C
KPXC0	PUR	Black	2 × 0.75 mm ² 10 × 0.34 mm ²	-25...+80 °C	-5...+80 °C
KPX0	PUR	Black	2 × 0.75 mm ² 12 × 0.34 mm ²	-25...+80 °C	-5...+80 °C
KPXK0	PUR	Black	2 × 0.75 mm ² 16 × 0.34 mm ²	-25...+80 °C	-5...+80 °C
KPXP0	PUR	Black	2 × 0.75 mm ² 20 × 0.34 mm ²	-25...+80 °C	-5...+80 °C

②	Cable length
030	3 m
050	5 m
100	10 m
150	15 m

Other cable lengths on request!



		BPI 4M3 ...	
Connection		Male, M12, 8-pin	
Version		M8, 4x	
Rated voltage	No LED	30 V AC/DC	
	with LED	30 V DC	
Rated current, port		2 A	
Total current max.		2 A	
Degree of protection		IP67	
Ambient temperature		-25...+80 °C	
3-pin, no LED		BPI 4M3030-5K-B0-SM48T	
3-pin, PNP-LED		BPI 4M303P-5K-B0-SM48T	
3-pin, NPN-LED		-	
4-pin, no LED		-	
4-pin, PNP-LED		-	
4-pin, NPN-LED		-	
Approval/Conformity		CE, UL, EAC	
For drawing see page		314	



	BPI 4M3 ...	BPI 6M3 ...	BPI 6M3 ...
	Male, M12, 12-pin	Male, M12, 8-pin	Male, M12, 12-pin
	M8, 4x	M8, 6x	M8, 6x
	30 V AC/DC	30 V AC/DC	30 V AC/DC
	30 V DC	30 V DC	30 V DC
	1.5 A	2 A	1.5 A
	1.5 A	2 A	1.5 A
	IP67	IP67	IP67
	-25...+80 °C	-25...+80 °C	-25...+80 °C
	BPI 4M3030-5K-B0-SM4CT	BPI 6M3030-5K-B0-SM48T	BPI 6M3030-5K-B0-SM4CT
	BPI 4M303P-5K-B0-SM4CT	BPI 6M303P-5K-B0-SM48T	BPI 6M303P-5K-B0-SM4CT
	-	-	-
	BPI 4M3040-5K-B0-SM4CT	-	-
	BPI 4M304P-5K-B0-SM4CT	-	-
	-	-	-
	CE, UL, EAC	CE, UL, EAC	CE, UL, EAC
	314	315	316

Sensors

RFID

Machine Vision and
Optical Identification

Human Machine
Interfaces

Safety

Industrial Networking

Software and
System Solutions

Power Supply

Connectivity

Accessories

Connection		
Version		
Rated voltage	No LED	
	with LED	
Rated current, port		
Total current max.		
Degree of protection		
Ambient temperature		
3-pin, no LED		
3-pin, PNP-LED		
3-pin, NPN-LED		
Approval/Conformity		
For drawing see page		



BPI 8M3 ...	BPI AM3 ...
Male, M12, 12-pin	Male, M12, 12-pin
M8, 8x	M8, 10x
30 V AC/DC	30 V AC/DC
30 V DC	30 V DC
1.5 A	1.5 A
1.5 A	1.5 A
IP67	IP67
-25...+80 °C	-25...+80 °C
BPI 8M3030-5K-B0-SM4CT	BPI AM3030-5K-B0-SM4CT
BPI 8M303P-5K-B0-SM4CT	BPI AM303P-5K-B0-SM4CT
-	-
CE, UL, EAC	CE, UL, EAC
316	316

Sensors

RFID

Machine Vision and
Optical Identification

Human Machine
Interfaces

Safety

Industrial Networking

Software and
System Solutions

Power Supply

Connectivity

Accessories

Connection		
Version		
Rated voltage	No LED	
	with LED	
Rated current, port		
Total current max.		
Degree of protection		
3-pin + PE, no LED		
3-pin + PE, PNP-LED		
3-pin + PE, NPN-LED		
4-pin + PE, no LED		
4-pin + PE, PNP-LED		
4-pin + PE, NPN-LED		
Approval/Conformity		
For drawing see page		



BPI 4M4 ...	BPI 8M4 ...
Cable	Cable
M12, 4x	M12, 8x
60 V AC/DC	60 V AC/DC
30 V DC	30 V DC
4 A	4 A
8 A	8 A
IP67	IP67
BPI 4M4A40-2K-B0-KPX70①-__ _②	BPI 8M4A40-2K-B0-KPXB0①-__ _②
BPI 4M4A4P-2K-B0-KPX70①-__ _②	BPI 8M4A4P-2K-B0-KPXB0①-__ _②
-	-
BPI 4M4A50-2K-B0-KPXB0①-__ _②	BPI 8M4A50-2K-B0-KPXL0①-__ _②
BPI 4M4A5P-2K-B0-KPXB0①-__ _②	BPI 8M4A5P-2K-B0-KPXL0①-__ _②
-f	-
CE, UL, EAC	CE, UL, EAC
317	317

①	Material	Color	Number of conductors x conductor cross-section	Cable temperature fixed in place	Cable temperature flexed
KPX70	PUR	Black	3 × 1.0 mm ² 4 × 0.34 mm ²	-25...+80 °C	-5...+80 °C
KPXB0	PUR	Black	3 × 1.0 mm ² 8 × 0.34 mm ²	-25...+80 °C	-5...+80 °C
KPXL0	PUR	Black	3 × 1.0 mm ² 19 × 0.34 mm ²	-25...+80 °C	-5...+80 °C

②	Cable length
030	3 m
050	5 m
100	10 m
150	15 m

Other cable lengths on request!



		BPI 4M4 ...	
Connection		Male, M23, 12-pin	
Version		M12, 4x	
Rated voltage	No LED	60 V AC/DC	
	with LED	30 V DC	
Rated current, port		4 A	
Total current max.		8 A	
Degree of protection		IP67	
Ambient temperature		-25...+80 °C	
3-pin + PE, no LED		BPI 4M4A40-2K-B0-SM6CT	
3-pin + PE, PNP-LED		BPI 4M4A4P-2K-B0-SM6CT	
3-pin + PE, NPN-LED		-	
4-pin + PE, no LED		-	
4-pin + PE, PNP-LED		-	
4-pin + PE, NPN-LED		-	
Approval/Conformity		CE, UL, EAC	
For drawing see page		317	



	BPI 4M4 ...	BPI 8M4 ...	BPI 8M4 ...
	Male, M23, 19-pin	Male, M23, 12-pin	Male, M23, 19-pin
	M12, 4x	M12, 8x	M12, 8x
	60 V AC/DC	60 V AC/DC	60 V AC/DC
	30 V DC	30 V DC	30 V DC
	4 A	4 A	4 A
	8 A	8 A	8 A
	IP67	IP67	IP67
	-25...+80 °C	-25...+80 °C	-25...+80 °C
	-	BPI 8M4A40-2K-B0-SM6CT	-
	-	BPI 8M4A4P-2K-B0-SM6CT	-
	-	-	-
	BPI 4M4A50-2K-B0-SM6LT	-	BPI 8M4A50-2K-B0-SM6LT
	BPI 4M4A5P-2K-B0-SM6LT	-	BPI 8M4A5P-2K-B0-SM6LT
	-	-	-
	CE, UL, EAC	CE, UL, EAC	CE, UL, EAC
	318	318	318

Sensors

RFID

Machine Vision and
Optical Identification

Human Machine
Interfaces

Safety

Industrial Networking

Software and
System Solutions

Power Supply

Connectivity

Accessories

Connection	
Version	
Rated voltage	
Rated current, port	
Total current max.	
Degree of protection	
Ambient temperature	
3-pin with PE, PNP-LED	
4-pin with PE, PNP-LED	
Approval/Conformity	
For drawing see page	



	BPI 4M4 ...	BPI 8M4 ...
	Hood	Hood
	M12, 4x	M12, 8x
	30 V DC	30 V DC
	4 A	4 A
	8 A	8 A
	IP67	IP67
	-25...+80 °C	-25...+80 °C
	BPI 4M4A4P-2K-00-TPS9	BPI 8M4A4P-2K-00-TPSE
	BPI 4M4A5P-2K-00-TPSG	BPI 8M4A5P-2K-00-TPSN
	CE, EAC	CE, EAC
	319	319



	BPI 4M4 ...	BPI XXXX ...	
Connection	Hood	Hood with cable for base module without hood	
Version	M12, 4x	4-way	
Rated voltage	30 V DC	–	
Rated current, port	4 A	–	
Total current max.	8 A	–	
Degree of protection	IP67	–	
Ambient temperature	–25...+80 °C	–	
3-pin with PE, PNP-LED	BPI 4M4A4P-2K-00-TP09	–	
4-pin with PE, PNP-LED	BPI 4M4A5P-2K-00-TP0G	–	
3-pin with PE, no potential isolation	–	BPI T009-K-00-KPX70①-__ _②	
4-pin with PE, no potential isolation	–	BPI T00G-K-00-KPXB0①-__ _②	
4-pin with PE, with potential isolation	–	BPI T00G-K-00-KPXD0①-__ _②	
Universal	–	–	
Approval/Conformity	CE, EAC	CE, EAC	
For drawing see page	319	320	



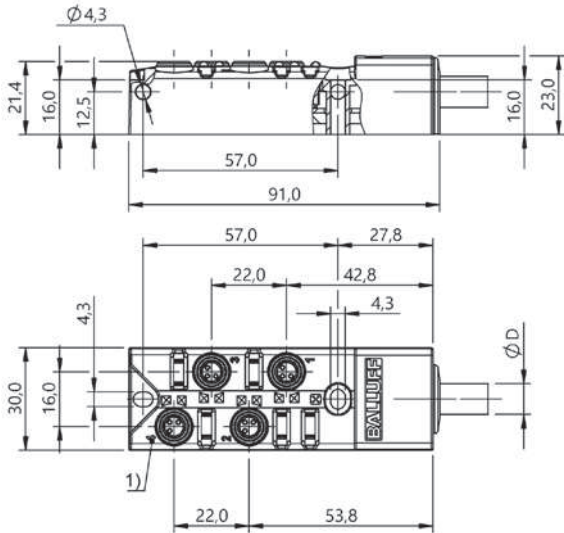
BPI 8M4 ...	BPI XXX ...	BPI XXX ...
Hood	Hood with cable for base module without hood	Hood without cable for base module without hood
M12, 8x	8-way	Universal
30 V DC	-	-
4 A	-	-
8 A	-	-
IP67	-	-
-25...+80 °C	-	-
BPI 8M4A4P-2K-00-TP0E	-	-
BPI 8M4A5P-2K-00-TP0N	-	-
-	BPI T00E-K-00-KPXB0①-__ _②	-
-	BPI T00N-K-00-KPXL0①-__ _②	-
-	BPI T00N-K-00-KPXN0①-__ _②	-
-	-	BPI T0SN-K-00
CE, EAC	CE, EAC	CE, EAC
320	320	320

①	Material	Color	Number of conductors x conductor cross-section	Cable temperature fixed in place	Cable temperature flexed
KPX70	PUR	Black	3 x 1.0 mm ² 4 x 0.34 mm ²	-25...+80 °C	-5...+80 °C
KPXB0	PUR	Black	3 x 1.0 mm ² 8 x 0.34 mm ²	-25...+80 °C	-5...+80 °C
KPXL0	PUR	Black	3 x 1.0 mm ² 19 x 0.34 mm ²	-25...+80 °C	-5...+80 °C
KPXD0	PUR	Black	5 x 1.0 mm ² 8 x 0.34 mm ²	-25...+80 °C	-5...+80 °C
KPXN0	PUR	Black	5 x 1.0 mm ² 19 x 0.34 mm ²	-25...+80 °C	-5...+80 °C

②	Cable length
030	3 m
050	5 m
100	10 m
150	15 m

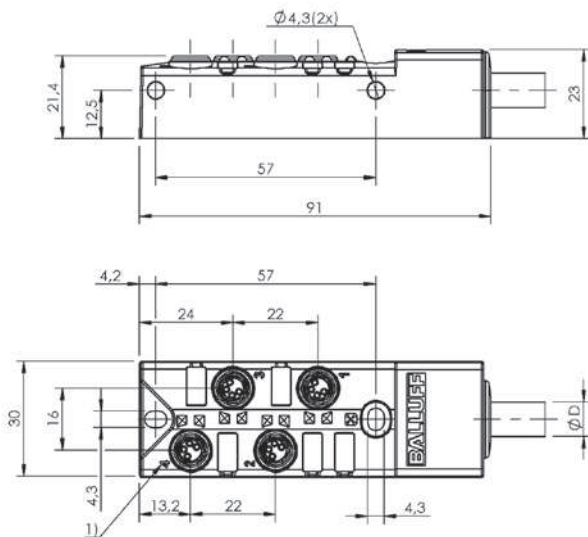
Other cable lengths on request!

312 | Connectivity | Junction Blocks



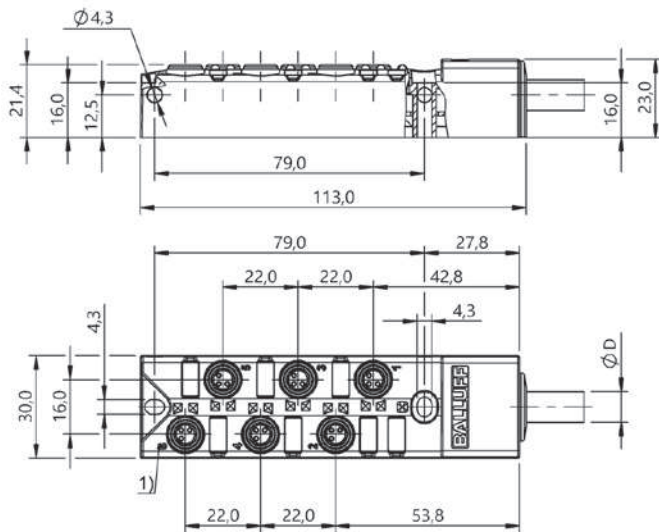
1) Slot numbering

- BPI 4M3030-5K-B0-KPX60-...**
- BPI 4M303P-5K-B0-KPX60-...**
- BPI 4M303N-5K-B0-KPX60-...**



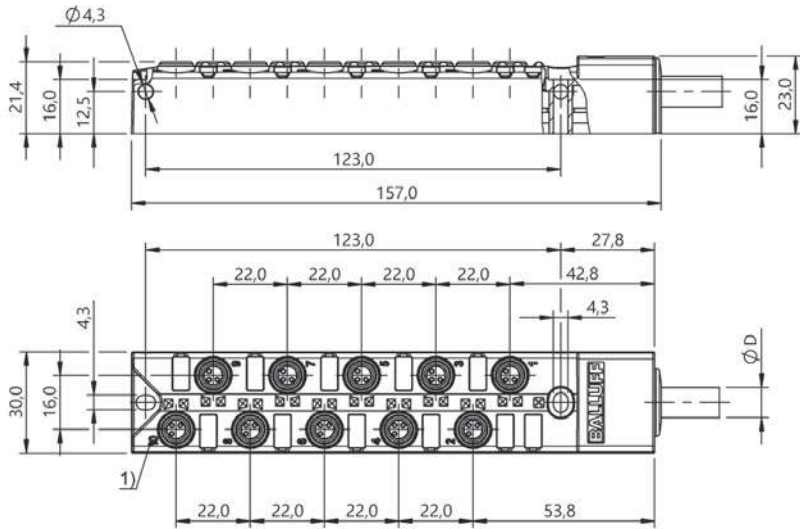
1) Slot numbering

- BPI 4M3040-5K-B0-KPXA0-...**
- BPI 4M304P-5K-B0-KPXA0-...**
- BPI 4M304N-5K-B0-KPXA0-...**



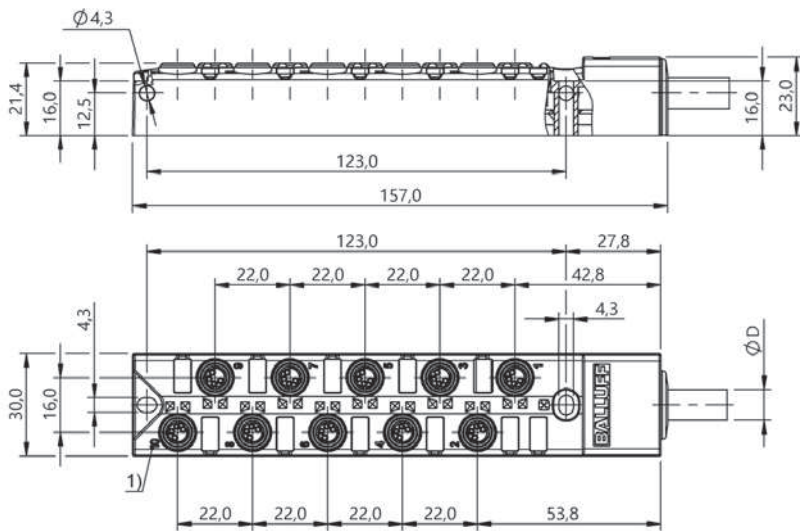
1) Slot numbering

- BPI 6M3030-5K-B0-KPX80-...**
- BPI 6M303P-5K-B0-KPX80-...**
- BPI 6M303N-5K-B0-KPX80-...**



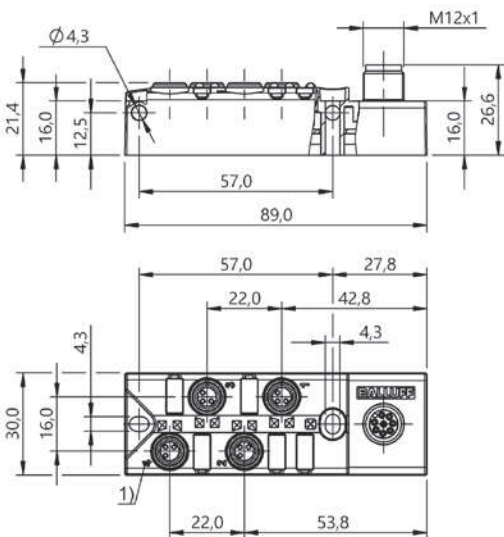
1) Slot numbering

BPI AM3030-5K-B0-KPXC0-...
BPI AM303P-5K-B0-KPXC0-...
BPI AM303N-5K-B0-KPXC0-...



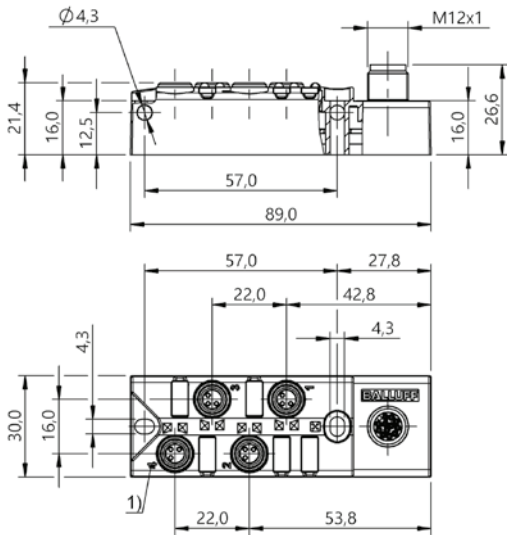
1) Slot numbering

BPI AM3040-5K-B0-KPXP0-...
BPI AM304P-5K-B0-KPXP0-...
BPI AM304N-5K-B0-KPXP0-...



1) Slot numbering

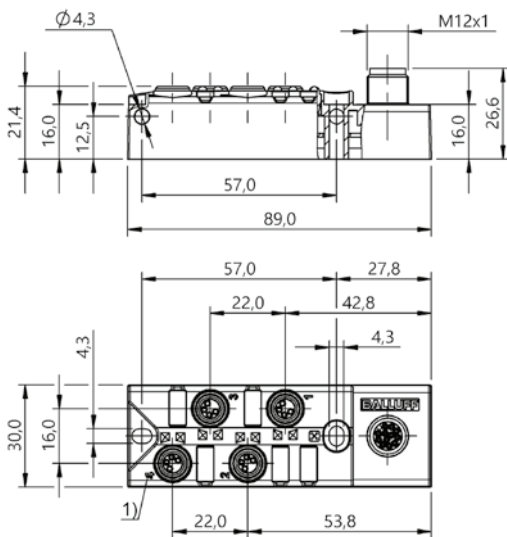
BPI 4M3030-5K-B0-SM48T
BPI 4M303P-5K-B0-SM48T



1) Slot numbering

BPI 4M3030-5K-B0-SM4CT

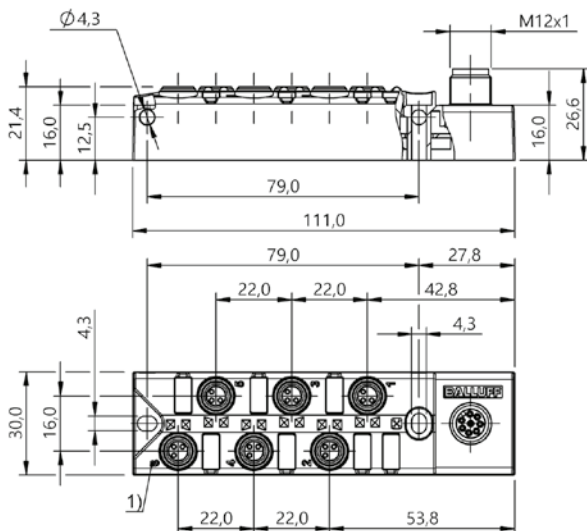
BPI 4M303P-5K-B0-SM4CT



1) Slot numbering

BPI 4M3040-5K-B0-SM4CT

BPI 4M304P-5K-B0-SM4CT

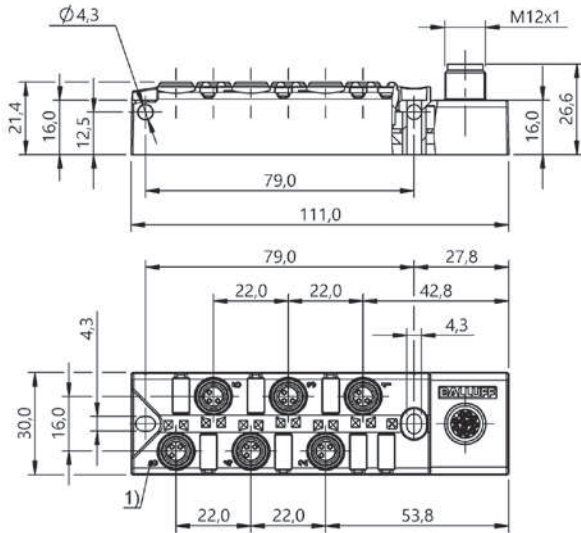


1) Slot numbering

BPI 6M3030-5K-B0-SM48T

BPI 6M303P-5K-B0-SM48T

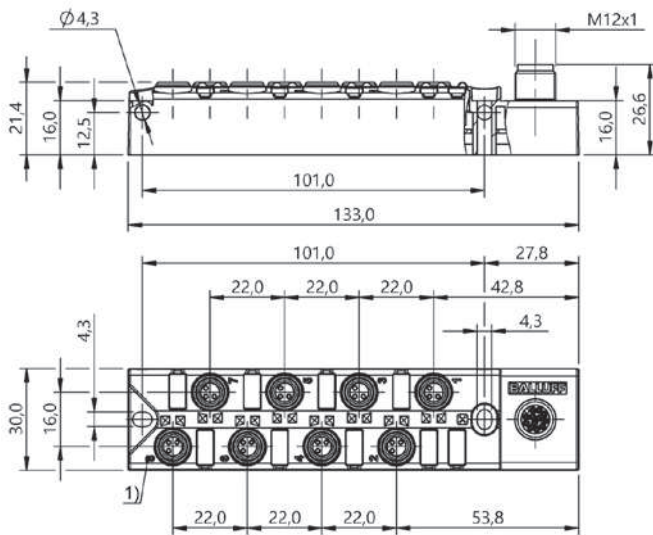
316 | Connectivity | Junction Blocks



1) Slot numbering

BPI 6M3030-5K-B0-SM4CT

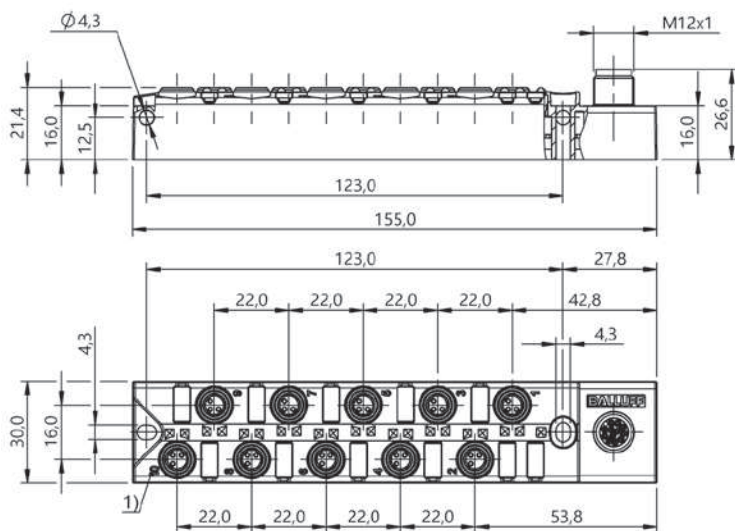
BPI 6M303P-5K-B0-SM4CT



1) Slot numbering

BPI 8M3030-5K-B0-SM4CT

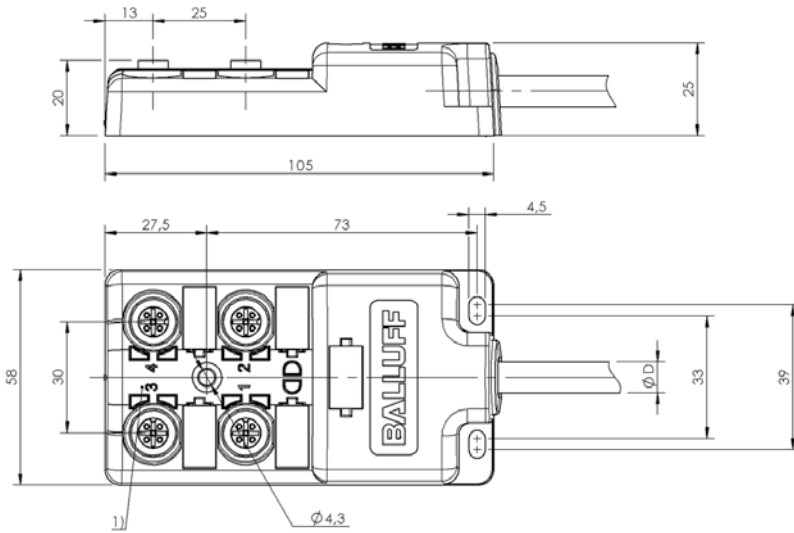
BPI 8M303P-5K-B0-SM4CT



1) Slot numbering

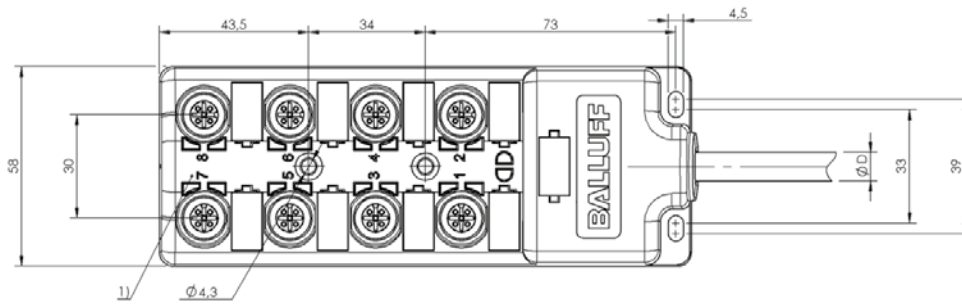
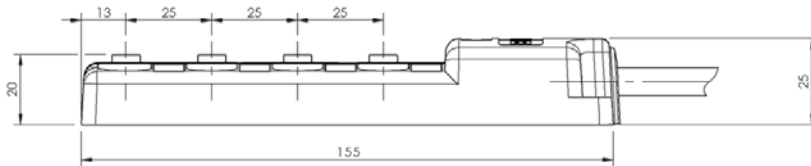
BPI AM3030-5K-B0-SM4CT

BPI AM303P-5K-B0-SM4CT



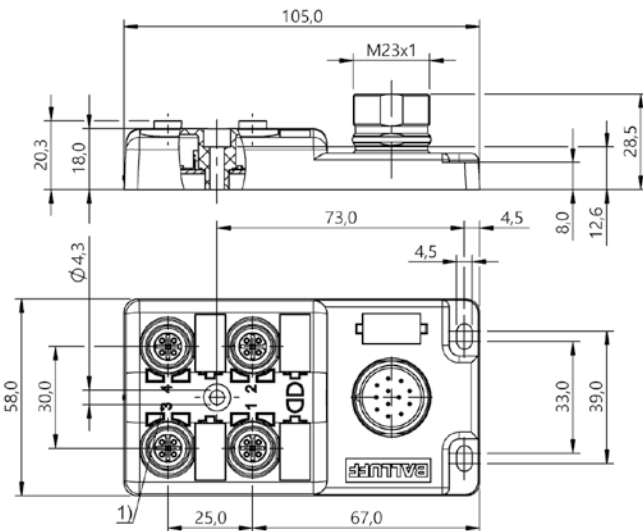
1) Slot numbering

- | | |
|-----------------------------------|-----------------------------------|
| BPI 4M4A40-2K-B0-KPX70-... | BPI 4M4A50-2K-B0-KPX80-... |
| BPI 4M4A4P-2K-B0-KPX70-... | BPI 4M4A5P-2K-B0-KPX80-... |
| BPI 4M4A4N-2K-B0-KPX70-... | BPI 4M4A5N-2K-B0-KPX80-... |



1) Slot numbering

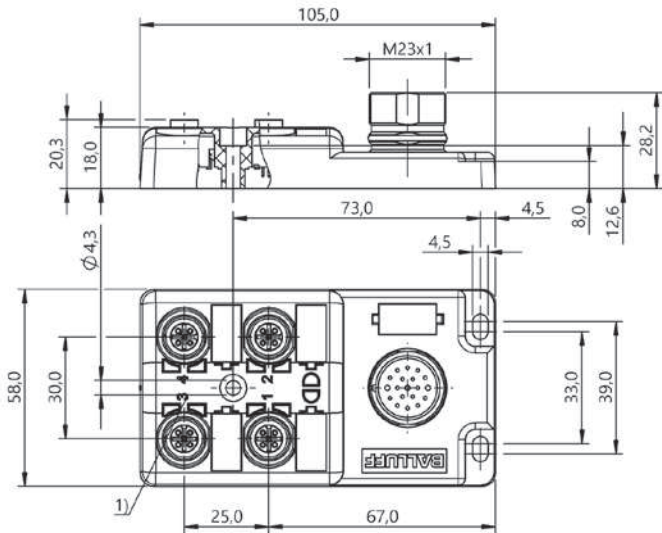
- | | |
|-----------------------------------|-----------------------------------|
| BPI 8M4A40-2K-B0-KPX80-... | BPI 8M4A50-2K-B0-KPX90-... |
| BPI 8M4A4P-2K-B0-KPX80-... | BPI 8M4A5P-2K-B0-KPX90-... |
| BPI 8M4A4N-2K-B0-KPX80-... | BPI 8M4A5N-2K-B0-KPX90-... |



1) Slot numbering

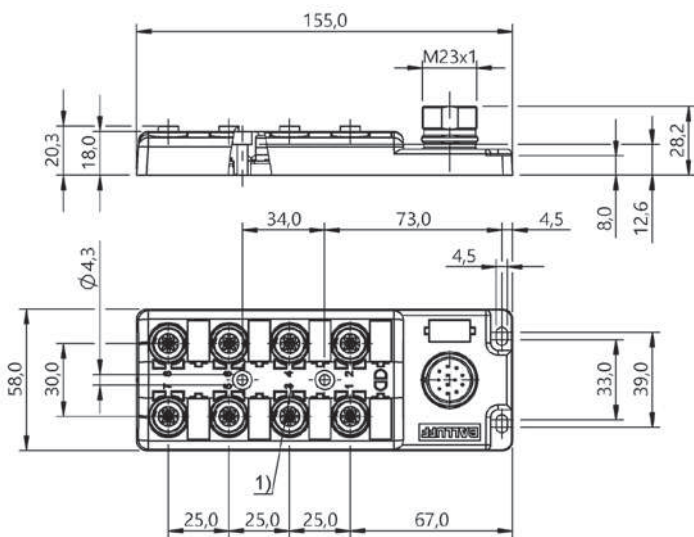
- | |
|-------------------------------|
| BPI 4M4A40-2K-B0-SM6CT |
| BPI 4M4A4P-2K-B0-SM6CT |

318 | Connectivity | Junction Blocks



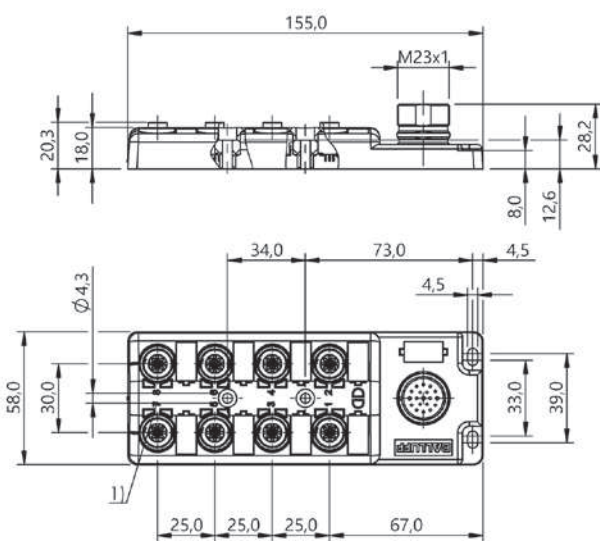
1) Slot numbering

BPI 4M4A50-2K-B0-SM6LT
BPI 4M4A5P-2K-B0-SM6LT



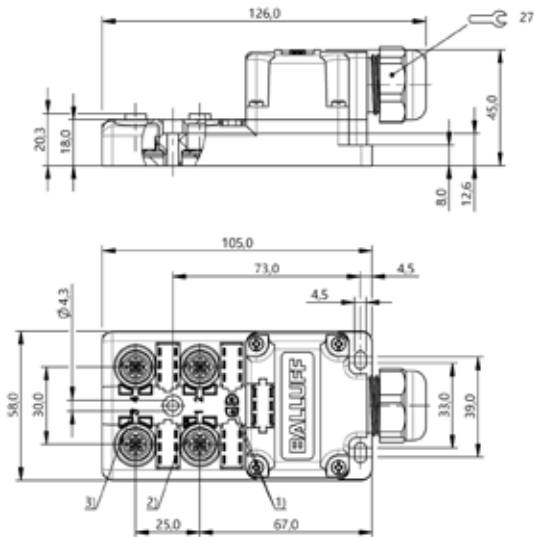
1) Slot numbering

BPI 8M4A40-2K-B0-SM6CT
BPI 8M4A4P-2K-B0-SM6CT



1) Slot numbering

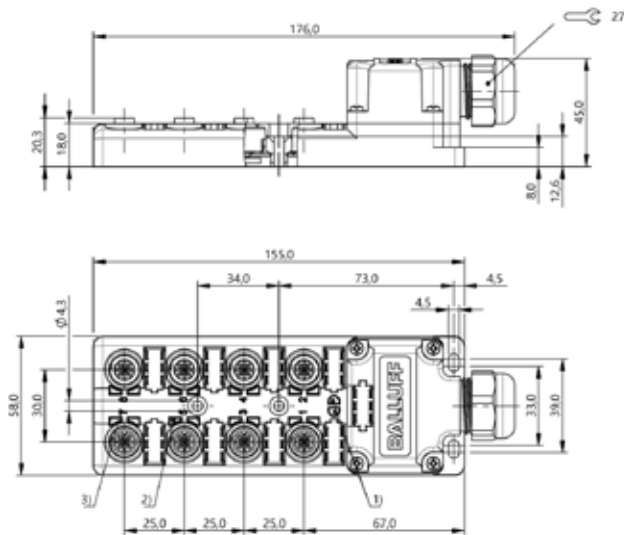
BPI 8M4A50-2K-B0-SM6LT
BPI 8M4A5P-2K-B0-SM6LT



- 1) Power indicator
- 2) LED yellow for S1 on PIN 4
- 3) Slot numbering

BPI 4M4A4P-2K-00-TPS9

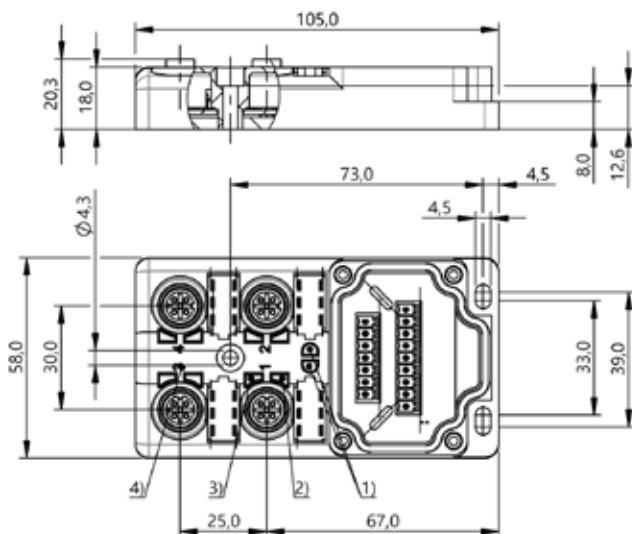
BPI 4M4A5P-2K-00-TPSG



- 1) Power indicator
- 2) LED yellow for S1 on PIN 4
- 3) Slot numbering

BPI 8M4A4P-2K-00-TPSE

BPI 8M4A5P-2K-00-TPSN

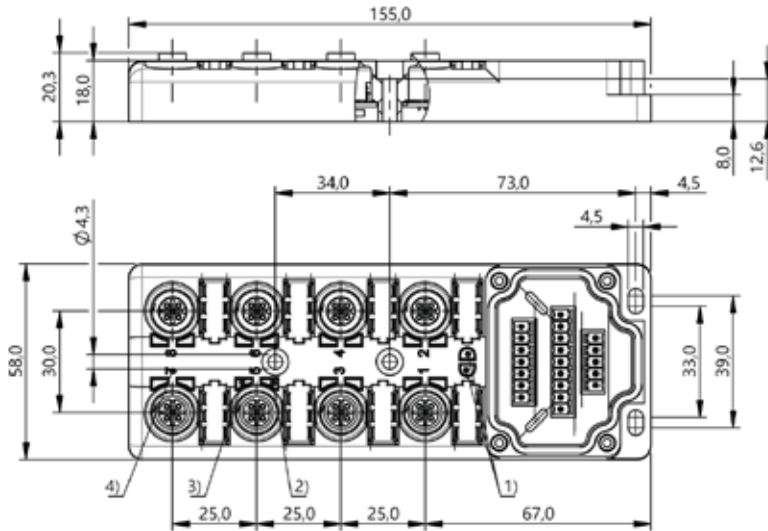


- 1) Power indicator
- 2) LED yellow for S1 on PIN 4
- 3) Slot numbering

BPI 4M4A4P-2K-00-TP09

BPI 4M4A5P-2K-00-TP0G

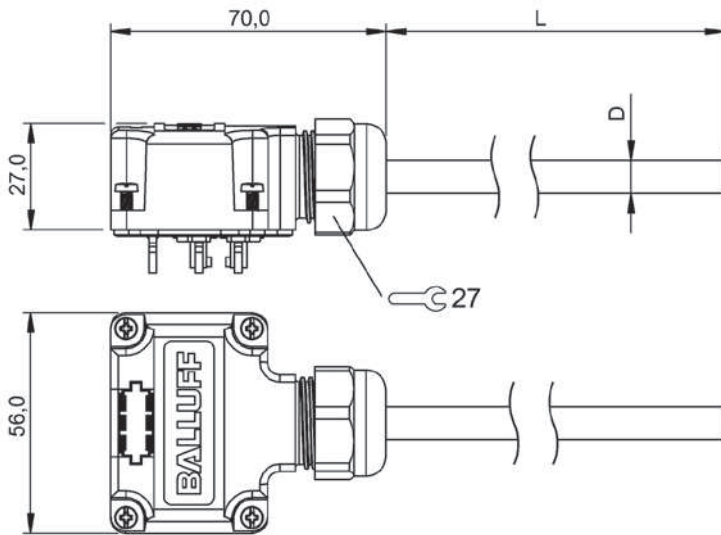
320 | Connectivity | Junction Blocks



- 1) Power indicator
- 2) LED yellow for S1 on PIN 4
- 3) Slot numbering

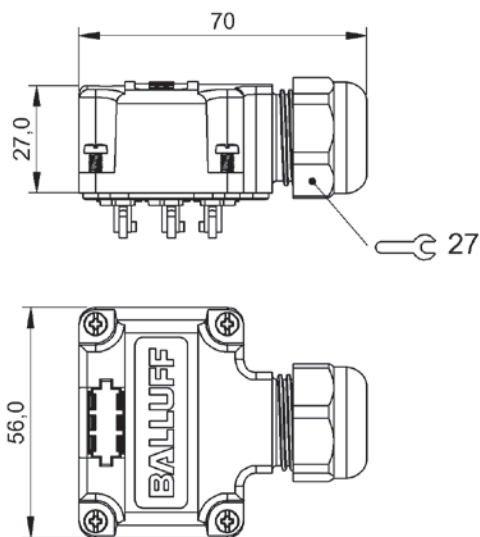
BPI 8M4A4P-2K-00-TPOE

BPI 8M4A5P-2K-00-TP0N



- BPI T009-K-00-KPX70-...**
- BPI T00G-K-00-KPX80-...**
- BPI T00G-K-00-KPX00-...**

- BPI T00E-K-00-KPX80-...**
- BPI T00N-K-00-KPXLO-...**
- BPI T00N-K-00-KPXNO-...**



BPI T0SN-K-00

Connectivity

BASICS AND GLOSSARY





Accessories

Connectivity

Power Supply

Software and
System Solutions

Industrial Networking

Safety

Human Machine
Interfaces

Machine Vision and
Optical Identification

RFID

Sensors

Connection	Indication of the form factor, coding and plug type
Wire fastening	How the connection of the leads in the plug is accomplished
Rated voltage	The maximum value of the electrical voltage in normal operation
Rated current	The electrical amperage which is assigned to an electrical device for a specified operating condition
Power-on indicator	Function indicator
Piercing technology	Piercing technology is a contact method where piercing connectors penetrate the insulation, move between the wires of the cable, and thus establish a secure contact with the cable
HDC cables	Cables for special applications, e.g. welding areas
Cable break	Interruption of the cable between the device and the controller due to mechanical damage
Cross-section	Cross-section of the cable, e.g. copper in mm ² or AWG (American Wire Gauge)
Solder connections	Connection technique in which the conductor and connector are soldered together
Insulation displacement connection technology	Connection technique in which the conductor and connector are connected by means of a displacement contact through the wire insulation
Screw terminals	Connection technique in which the conductor and connector are connector by means of a clamp

